

Automation and Software tools

Version 2022



Weidmüller 

Orange Selection

Quick and easy planning

As a planning engineer, do you want to select products easily and receive them quickly? From a partner you can rely on? Then plan with the Orange Selection from Weidmüller in the future. The Orange Selection items are always available, carefully selected and the portfolio consists of more than 1,500 items to fully cover your standard needs.

If your order is placed before 3:00 pm, we guarantee that your order will be on its way the very next working day.

For even more efficient planning and production processes, we will of course provide all articles in digital form. CAD, ETIM and eClass data are available in our online product catalogue **catalog.weidmueller.com**

We have summarised all the advantages of the Orange Selection on our website.

Check it out: **www.weidmueller.com/orange-selection**



Automation and Software tools

Catalogue 10

Automation and Software tools

Control (PLC) - u-control

Engineering software - u-create

I/O system IP20 - u-remote

I/O system IP67 - u-remote

Web Panels - u-view

Industrial PCs, Panel PCs and Monitors - u-view

Visualisation software - u-create

Continue Softwaretools

Appendix

Service and support

Index

Index Type / Index Order No.
Addresses worldwide

Control (PLC) - u-control

Control studio

Page A.4



- CoDeSys-based // C/C++
- Dual-core CPU, 512 Mbyte RAM
- Engineeringtool u-create studio

Control web

Page A.6



- Web-based // HTML5
- Dual-core CPU, 512 Mbyte RAM
- With embedded Software

Control WCU

Page A.10



- Compact control
- For harsh environmental conditions
- Engineeringtool microL

Engineering software - u-create

u-create web

Page B.2



- Web-based // HTML5

u-create studio

Page B.4



- CoDeSys-based // C/C++

I/O system IP20 - u-remote

Fieldbus coupler

Page C.4



- PROFINET, PROFIBUS, EtherCAT, ModbusTCP, EtherNet/IP, DeviceNet, CANopen, POWERLINK, CC-Link, CC-Link IE TSN, IEC 61162-450

Digital input modules

Page C.36



- 2-16 digital inputs
- Positive & negative switching
- 2-wire, 3-wire and 3-wire+FE Connection
- Electrogalvanised insulated variation

Digital output modules

Page C.52



- 4-16 digital outputs
- Positive & negative switching
- 2-wire, 3-wire and 3-wire+FE Connection
- Electrogalvanised insulated variation

Digital input and output modules

Page C.68



- 8 digital inputs/outputs (configurable)
- Positive switching
- 2-wire, 3-wire Connection

Pulse width modulation and stepper motor modules

Page C.70



- Pulse-width modulation modules:
- 2 pulse width outputs
 - Load capacity up to 0.5 - 2 A per channel
- Stepper motor module:
- 4 digital inputs and 2 inputs for 2-channel incremental (rotary) encoder
 - 50 W Power output stage

Analogue input modules

Page C.74



- 2-8 analog inputs
- 12 to 32 bit resolution
- 2-wire, 3-wire and 3-wire+FE Connection
- Extended diagnostic function
- HART communication variation
- Electrogalvanised insulated variation

Temperature modules and potentiometer input module

Page C.88



- Temperature modules:
- 4 - 8 analog inputs
 - Temperature measurement via resistance
- Potentiometer input module:
- 4 potentiometer inputs
 - Measuring area from 300 Ω ... 50 kΩ

Strain gauge module

Page C.96



- 2 differential inputs for strain gages
- 24 bit resolution
- 4- or 6-wire connection

Power measurement module

Page C.98



- Acquisition and processing of measured variables from single-phase or three-phase power consumers (up to 500 V AC phase-to-phase voltage)
- Currents up to 5 A directly detectable
- Limit value monitoring

I/O system IP20 - u-remote

Analogue output modules

Page C.100



- 2 and 4 analog outputs
- 16 bit resolution
- 2-wire and 4-wire connection
- Extended diagnostic function
- Electro-galvanised insulated variation

Digital counter and communication modules

Page C.110



- Counter modules
 - Latch, gate- and reset input
 - Counter width 32 Bit
 - Maximum input frequency 100 kHz
- Communication modules:
 - IP67 SAI-PRO modules can be integrated
 - Interface for RS232, RS485 and RS422 Peripheria
 - IO-Link standard according to IEC 61131-9

Safe I/O modules and safe power-feed modules

Page C.120



- PROFIsafe or FailSafe over EtherCAT
- 4 to 8 digital inputs (partly parameterizable)
- 4 digital outputs (partly parameterizable)
- OSSD-output reports status to controller

Power-feed modules

Page C.128



- Input of the current paths
- Feed-in current 10 A

Accessories

Page C.132



- Potential distribution modules
- Empty slot module
- Markers and plug-in connectors

I/O system IP67 - u-remote

PROFINET IO-LINK

Page D.4



- IO-Link, 4x Type A, 4x Type B
- Fieldbus protocol PROFINET
- Width 30 to 60 mm

Multiprotocol (PROFINET + EtherCAT + EtherNet/IP)

Page D.5



- 8 to 16 digital inputs and outputs
- Fieldbus protocol PROFINET, EtherNet/IP and EtherCAT
- M12, L-coded or 7/8" connection

Push/ Pull

Page D.9



- 8 to 16 digital inputs and outputs
- Fieldbus protocol PROFINET
- Connection 8x M12 socket 5-pole, acoded

Subbus

Page D.13



- Subbus Module
- 8 digital inputs/ 8 digital outputs
- 4 analog outputs
- Function modules

Accessories

Page D.18



- Sensor cables
- Assembly tool

Web Panels - u-view

Web Panel (ECO)

Page E.4



- Resistive touch
- 4", 7", 10"
- High-quality plastic frame

Web Panel (BASIC)

Page E.6



- Resistive touch
- 4,3"; 7"; 10,1"
- High-quality aluminium frame

Web Panel (ADVANCED)

Page E.7



- Capacitive multi-touch
- 7"; 10,1"; 15,6"
- Fitted glass front

Industrial PCs, Panel PCs and Monitors - u-view

Industrial PCs

Page F.4



- Optimized design for every performance class
- From Intel Atom to Intel Core i7
- Passive cooling
- State-of-the-art SSD technology

Industrial Panel PCs

Page F.11



- Resistive touch or capacitive multi-touch
- Display sizes from 7" - 21.5"
- Passive cooling
- State-of-the-art SSD technology
- Panel mounting with protection class IP66

Industrial Monitors

Page F.16



- Capacitive multi-touch
- Display sizes from 10,1" - 21,5"
- Panel mounting with protection class IP66

Visualisation software - u-create

u-create PROCON-WEB embedded systems

Page G.2



- Embedded web visualisation

u-create PROCON-WEB SCADA

Page G.4



- SCADA web visualisation

Control (PLC) u-control

Control (PLC)	u-control 2000	A.2
u-control	u-control 2000 with u-create studio	A.4
	u-control 2000 with u-create web	A.6
	Logic Unit WCU 860S	A.8

Flexible automation of applications

u-control 2000 for a powerful and compact control system

A

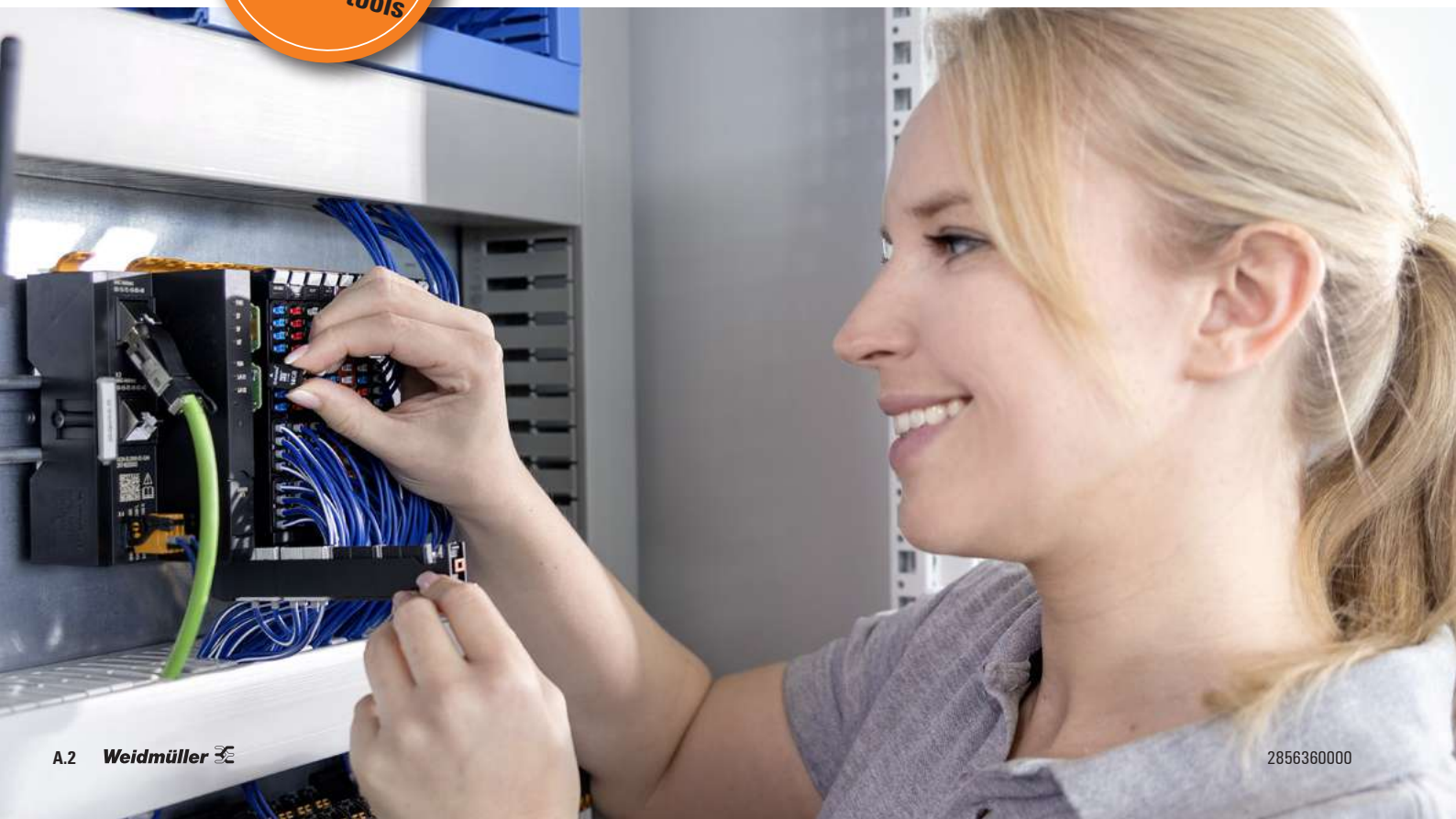
The powerful u-control 2000 controller is based on a compact design of the u-remote fieldbus coupler - for even greater space savings and maximum Flexibility in the implementation of individual automation solutions. It is compatible with the u-remote portfolio and offers the possibility to I/O modules directly. Combined with our versatile Engineering tools u-create web and u-create studio unfold their full potential Range of applications.

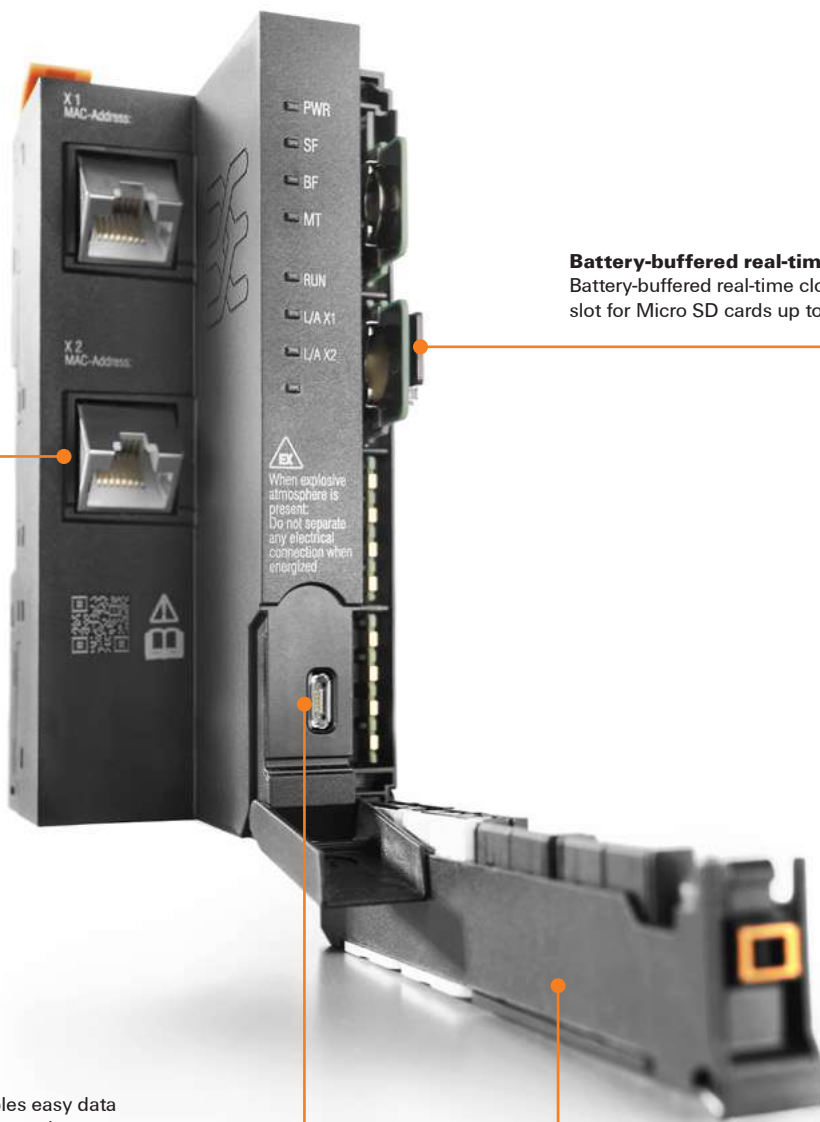
The u-control 2000 is equipped with an Ethernet based fieldbus and a TCP/IP interface for programming. The controller also has an optional CAN interface. Optionally, communication via the Modbus TCP protocol or OPC-UA is also possible. In addition, u-control 2000 has a dual-core ARM-A9 processor and a USB service interface. In addition to the battery-buffered real-time clock, it also has a slot for a MicroSD with up to 32 GB.

In combination with the u-create software tools, u-control enables a maximum of customization.



*compatible
with u-create
software-tools*





Versatile connection options
Fitted with a fieldbus and TCP/IP interface, plus an optional CAN interface.

Battery-buffered real-time clock
Battery-buffered real-time clock and slot for Micro SD cards up to 32 GB.

Simple data exchange
The micro USB interface enables easy data exchange and service of the control.

Input & output current
3 separate current paths for system bus, as well as input current and output current path.

u-control 2000 with u-create studio

UC20-SL2000-OLAC-EC

- OpenLinux automation controller
- Engineering tool u-create studio
- System supply of 64 I/O modules
- Configurable as EtherCAT master
- 2 x 5 A current path

UC20-SL2000-OLAC-EC



Technical data

System data

Connection type
max. number of modules
Configuration interface
Processor
Memory (Flash)
Real-time clock
Engineering tool
Field bus protocol

2 x RJ45 plug-in connectors
64
Micro USB 2.0
Dual Core ARM Cortex A9, 624 MHz, 512 Mbyte RAM
4 GB, 32 GB via microSD
Battery buffered
u-create studio
EtherCAT

Supply

Supply voltage for inputs
Supply voltage for outputs
Feed current for I_{in} (input current path), max.
Feed current for I_{out} (output current path), max.
Current consumption I_{in} (power segment of the field bus coupler), typ.

24 V DC +20 %/ -15 %
24 V DC +20 %/ -15 %
5 A
5 A
116 mA

General data

Weight
Dimensions H x W x D

250 g
120 mm / 52 mm / 76 mm

Note

Ordering data

Module variants

OpenLinux automation controller (Studio engineering)

Note

Type	Qty.	Order No.
UC20-SL2000-OLAC-EC	1	2638920000

A termination kit (UC20-EBK-ACC) is included in the controller package.

Accessories

Swivel marker	
Connection marker for pusher custom printing	
Connection marker for pusher neutral	
Module marker for custom printing	
Module marker for neutral	
Thermotransfer version (Material: Polyester)	
Thermotransfer version (material: polyester)	
Paper version for Laserprinter	
USB cable (USB A to Micro USB)	

Replacement parts

Plug-in connector unit
Control hardware (replacement)

Engineering software

u-create studio engineering software
u-create studio engineering software

Control accessories

SD Memory Card
Battery for real-time clock

Note

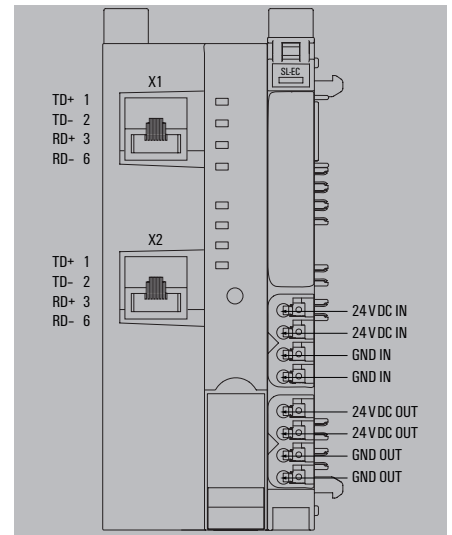
Type	Qty.	Order No.
UR20-SM-ACC	20	1339920000
PM 2.7/2.6 MC SDR	192	1323700000
PM 2.7/2.6 MC NE WS	960	1323710000
DEK 5/8-11.5 MC SDR	100	1341610000
DEK 5/8-11.5 MC NE WS	500	1341630000
THM UR20 GE	1	1429910000
THM UR20 WS	1	1429420000
ESD UR20 DIN A4 WS	10	1429430000
IE-USB-A-MICRO-1.8M	1	1487980000

UR20-PK-2674520000-SP	5	2665170000
UC20-SL2000-EC	1	2674520000

U-CREATE-STUDIO	1	2660130000
U-CREATE-STUDIO-ANNUAL	1	2722630000

SD-CARD-8GB	1	2684400000
BATTERY-CR1220-3V	1	2684410000

u-link licences: See catalogue 9 - Industrial Ethernet in chapter E, PROCON-WEB
licences: See chapter G



Product standard	IEC 61131-2
EMC	IEC 61000
ATEX	EN 60079
UL	UL 121201
MSIP	Not available
CCC	Not available
EAC	Not available
ABS (American Bureau of Shipping)	Available
BSH (Federal Maritime and Hydrographic Agency)	Not available
BV (Bureau Veritas)	Available
DNV (Det Norske Veritas)	Not available
LR (Lloyd's Register)	Available
RINA (Registro Italiano Navale)	Available
KR (Korean Register)	Not available
NK (Nippon Kaiji Kyokai)	Not available
PRS (Polish Register of Shipping)	Not available
RMRoS (Russian Maritime Register of Shipping)	Not available

UC20-SL2000-OLAC-EC-CAN

UC20-SL2000-OLAC-EC-CAN



Technical data

System data	
Connection type	2x RJ45 plug-in connectors
max. number of modules	64
Configuration interface	Micro USB 2.0
Processor	Dual Core ARM Cortex A9, 624 MHz, 512 Mbyte RAM
Memory (Flash)	4 GB, 32 GB via microSD
Real-time clock	Battery buffered
Engineering tool	u-create studio
Field bus protocol	CANopen, EtherCAT
Supply	
Supply voltage for inputs	24 V DC +20 %/ -15 %
Supply voltage for outputs	24 V DC +20 %/ -15 %
Feed current for I _{in} (input current path), max.	5 A
Feed current for I _{out} (output current path), max.	5 A
Current consumption I _{in} (power segment of the field bus coupler), typ.	116 mA
General data	
Weight	232 g
Dimensions H x W x D	120 mm / 52 mm / 76 mm
Note	

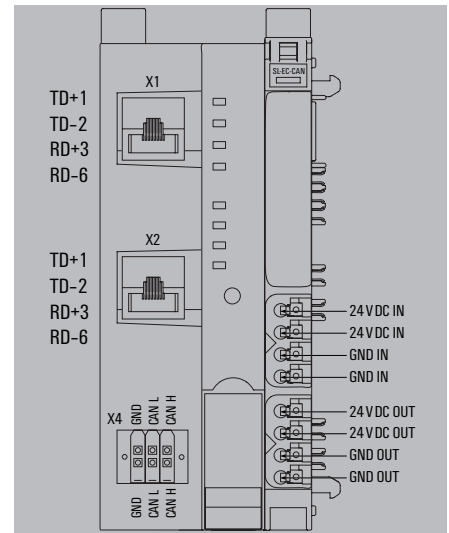
Ordering data

Module variants	
	OpenLinux automation controller (Studio engineering)
Note	

Accessories

	Swivel marker
	Connection marker for pusher custom printing
	Connection marker for pusher neutral
	Module marker for custom printing
	Module marker for neutral
	Thermotransfer version (Material: Polyester)
	Thermotransfer version (material: polyester)
	Paper version for Laserprinter
	USB cable (USB A to Micro USB)
Replacement parts	
	Plug-in connector unit
	Control hardware (replacement)
Engineering software	
	u-create studio engineering software
	u-create studio engineering software
Control accessories	
	SD Memory Card
	Battery for real-time clock
Note	

Type		
UC20-SL2000-OLAC-EC-CAN	Qty. 1	Order No. 2655590000
A termination kit (UC20-EBK-ACC) is included in the controller package.		
Type		
UR20-SM-ACC	Qty. 20	Order No. 1339920000
PM 2.7/2.6 MC SDR	Qty. 192	Order No. 1323700000
PM 2.7/2.6 MC NE WS	Qty. 960	Order No. 1323710000
DEK 5/8-11.5 MC SDR	Qty. 100	Order No. 1341610000
DEK 5/8-11.5 MC NE WS	Qty. 500	Order No. 1341630000
THM UR20 GE	Qty. 1	Order No. 1429910000
THM UR20 WS	Qty. 1	Order No. 1429420000
ESD UR20 DIN A4 WS	Qty. 10	Order No. 1429430000
IE-USB-A-MICRO-1.8M	Qty. 1	Order No. 1487980000
Type		
UR20-PK-2674620000-SP	Qty. 5	Order No. 2570120000
UC20-SL2000-EC-CAN	Qty. 1	Order No. 2674620000
Type		
U-CREATE-STUDIO	Qty. 1	Order No. 2660130000
U-CREATE-STUDIO-ANNUAL	Qty. 1	Order No. 2722630000
Type		
SD-CARD-8GB	Qty. 1	Order No. 2684400000
BATTERY-CR1220-3V	Qty. 1	Order No. 2684410000
u-link licences: See catalogue 9 - Industrial Ethernet in chapter E, PROCON-WEB licences: See chapter G		



Product standard	
IEC 61131-2	
EMC	IEC 61000
ATEX	EN 60079
UL	UL 121201
MSIP	Not available
CCC	Not available
EAC	Not available
ABS (American Bureau of Shipping)	Available
BSH (Federal Maritime and Hydrographic Agency)	Not available
BV (Bureau Veritas)	Available
DNV (Det Norske Veritas)	Not available
LR (Lloyd's Register)	Available
RINA (Registro Italiano Navale)	Available
KR (Korean Register)	Not available
NK (Nippon Kaiji Kyokai)	Not available
PRS (Polish Register of Shipping)	Not available
RMRoS (Russian Maritime Register of Shipping)	Not available

UC20-WL2000-AC

- Automation controller
- Engineering tool u-create web
- System supply of 64 I/O modules
- 2 x 5 A current path

UC20-WL2000-AC



Technical data

System data

Connection type	2 x RJ45 plug-in connectors
max. number of modules	64
Configuration interface	Micro USB 2.0
Processor	Dual Core ARM Cortex A9, 624 MHz, 512 Mbyte RAM
Memory (Flash)	4 GB, 32 GB via microSD
Real-time clock	Battery buffered
Engineering tool	u-create web

Supply

Supply voltage for inputs	24 V DC +20 %/ -15 %
Supply voltage for outputs	24 V DC +20 %/ -15 %
Feed current for I _{IN} (input current path) , max.	5 A
Feed current for I _{OUT} (output current path) , max.	5 A
Current consumption I _{IN} (power segment of the field bus coupler), typ.	116 mA

General data

Weight	327 GRM
Dimensions H x W x D	120 mm / 52 mm / 76 mm

Note

Ordering data

Module variants

Automation controller (Web engineering)

Note

Accessories

Swivel marker
Connection marker for pusher custom printing
Connection marker for pusher neutral
Module marker for custom printing
Module marker for neutral
Thermotransfer version (Material: Polyester)
Thermotransfer version (material: polyester)
Paper version for Laserprinter
USB cable (USB A to Micro USB)

Replacement parts

Plug-in connector unit

Control accessories

SD Memory Card
Battery for real-time clock

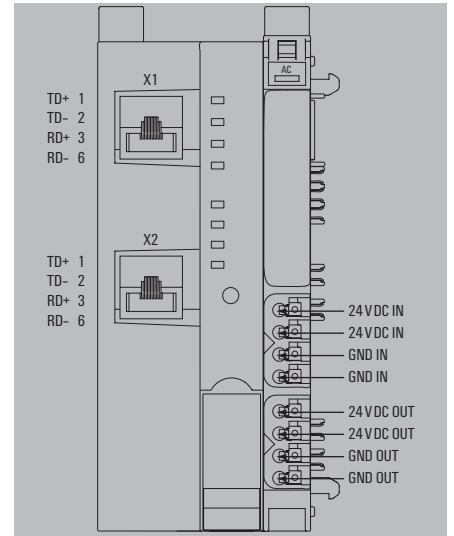
Note

Type	Qty.	Order No.
UC20-WL2000-AC	1	1334950000
A termination kit (UC20-EBK-ACC) is included in the controller package.		

Type	Qty.	Order No.
UR20-SM-ACC	20	1339920000
PM 2.7/2.6 MC SDR	192	1323700000
PM 2.7/2.6 MC NE WS	960	1323710000
DEK 5/8-11.5 MC SDR	100	1341610000
DEK 5/8-11.5 MC NE WS	500	1341630000
THM UR20 GE	1	1429910000
THM UR20 WS	1	1429420000
ESO UR20 DIN A4 WS	10	1429430000
IE-USB-A-MICRO-1.8M	1	1487980000

Type	Qty.	Order No.
UR20-PK-1334950000-SP	5	2605360000
SD-CARD-8GB	1	2684400000
BATTERY-CR1220-3V	1	2684410000

u-link licences: See catalogue 9 - Industrial Ethernet in chapter E, PROCON-WEB licences: See chapter G



Product standard	IEC 61131-2
EMC	IEC 61000
ATEX	EN 60079
UL	UL 121201
MSIP	Not available
CCC	Not available
EAC	Not available
ABS (American Bureau of Shipping)	Available
BSH (Federal Maritime and Hydrographic Agency)	Not available
BV (Bureau Veritas)	Available
DNV (Det Norske Veritas)	Available
LR (Lloyd's Register)	Available
RINA (Registro Italiano Navale)	Available
KR (Korean Register)	Not available
NK (Nippon Kaiji Kyokai)	Not available
PRS (Polish Register of Shipping)	Not available
RMRoS (Russian Maritime Register of Shipping)	Not available

Solve simple instrumentation and control tasks intelligently

Automate your processes in harsh surroundings with the new robust WCU 860S logic unit

A Only high-priced products exist for automation tasks in surroundings with high temperature and vibration requirements. However, solutions that save time and money are needed for simple control tasks with a limited quantity of inputs and outputs.

With the additional fully encapsulated WCU 860S logic module, you can monitor, control and regulate your processes - even under extreme environmental conditions. Weidmüller offers two different programming options. The graphics programming allows flexible switching of the analogue and digital inputs, as well as the power outputs. Programming in C/C++ is also possible.

Whether in panel building, for autonomous automation tasks, in apparatus engineering, as a monitoring system or as signal pre-processing for higher-level controls: the WCU combines intelligence, flexibility and robustness in a compact installation space.

With the WCU860S, Weidmüller offers the possibility of controlling an uninterruptible power supply for lighting systems on wind turbines. Energy storage devices are charged and permanently monitored in accordance with your technical requirements. The control also switches the lighting system on and off and manages the setting parameters and diagnostic information of the power supply via the available CAN interface.



Intelligent, flexible and robust

Complete encapsulation of the PCB makes the electronics insensitive to humidity. The operating range is between -40 and 70°C. The WCU can withstand vibrations up to 5g and shocks up to 10g.

**Customer-specific engineering for wind applications**

The smart combination of consultation, application expertise and industry know-how is our key to find a custom-fit solution for your application. Our end-products, developed and crafted exclusively for you, are assembled from high quality individual components from the Weidmüller catalogue. From the simple connection box to the bottom box of a small wind turbine - we offer you individual solutions from a single source.

**Intelligent**

The WCU has a large number of predefined function blocks. In addition to the basic calculation types, it includes logic blocks, limit value indicators, comparators, hysteresis blocks, flip-flops, counters, timers, visualisation blocks and more. The combination of these modules makes the WCU an intelligent automation tool. Users who prefer programming in C are provided with a user-friendly development environment with an extensive range of functions in the KEIL® µVision IDE.

Simple, graphic programming

For programming, the WCU 650 / WCU 501 is connected to a standard PC via USB cable. The free MiCon-L software allows predefined function blocks to be connected by drag-and-drop. Subroutines and macros can even be created for more complex applications.

Logic Unit WCU 860S

Logic Unit WCU 860S

Logic Unit WCU 860S



Technical data

General data	
Type of connection / Wire connection method	Plug-in spring-type terminals (0.25 - 1.5 mm ²) / Plug-in connection, PUSH IN
Operating voltage	+VDD: 7...48 V DC
Input fuse	max. 6 A (external)
Optical function display	LED
Interface	TTL 232
Protection degree	IP20
Security	Watchdog, Fail safe oscillator 16 MHz, Supply Voltage Supervisor, Power up timer, Brown out detection
Current consumption	nominal 15 mA @ 32 V DC (dependent on the configuration)
Reverse polarity protection	yes (combined with external fuse)
Analogue inputs	
Number	6
Pin assignment	IN 1, IN 2, IN 3, IN 4, IN 5, IN 6
Resolution	12-bit
Input voltage (U _{in})	0...48 V DC
Precision	± 2% (0.25 V DC)
Digital inputs	
Number	4
Pin assignment	IN 7, IN 8, IN 9, IN 10
Input frequency (f _{in})	≤ 25 kHz
Input voltage (U _{in})	0...48 V DC
Digital outputs	
Number	6
Pin assignment	OUT 1, OUT 2, OUT 3, OUT 4, OUT 5, OUT 6
Total output current (I _{TOT}) / Output current per channel (I _{OUT})	5 A / ≤ 1.5 A
Switching frequency (f _{OUT})	300 Hz
PWM output	
Number of	1
Pin assignment	OUT 9
Output current per channel (I _{OUT})	≤ 0.5 A
Note	Can also be used as a digital output (ground-switching)
Switching frequency (f _{OUT})	1...20 kHz
Type	Ground switching
Temperatures	
Ambient temperature (operational) / Storage temperature	-40 °C...60 °C / -40 °C...70 °C
EMC / shock / vibration	
EMC interference resistance	IEC 61000-4-2, IEC 61000-4-3
Shock resistance	min. 100 m/s ² (10 g)
Vibration resistance	min. 50 m/s ² (5 g) @ 10...100 Hz
CAN interface	
Bus system	ISO 11898-2, CAN 2.0A, CAN 2.0B, CANopen, multine line, single line, master, slave, SAE J1939, NMEA 2000
Baud rate	100 kbit, 50 kbit, 125 kbit, 250 kbit, 500 kbit, 1 Mbit
Identifier	11bit / 29 bit
Dimensions	
Depth x width x height	30 / 45 / 93 mm
Note	

Ordering data

Module variants	Type	Qty.	Order No.
Note	LOGIC UNIT WCU 860S	1	2753440000

Accessories

Type	Qty.	Order No.
WCU 860S - C-PROGRAMMING DEVICE	1	2772110000
WCU 860S - C-PROGRAMMING CABLE	1	2772100000
Note		

Engineering software

u-create

Engineering software	u-create web	B.2
u-create	u-create studio	B.4

Future-proof automation for intelligent production

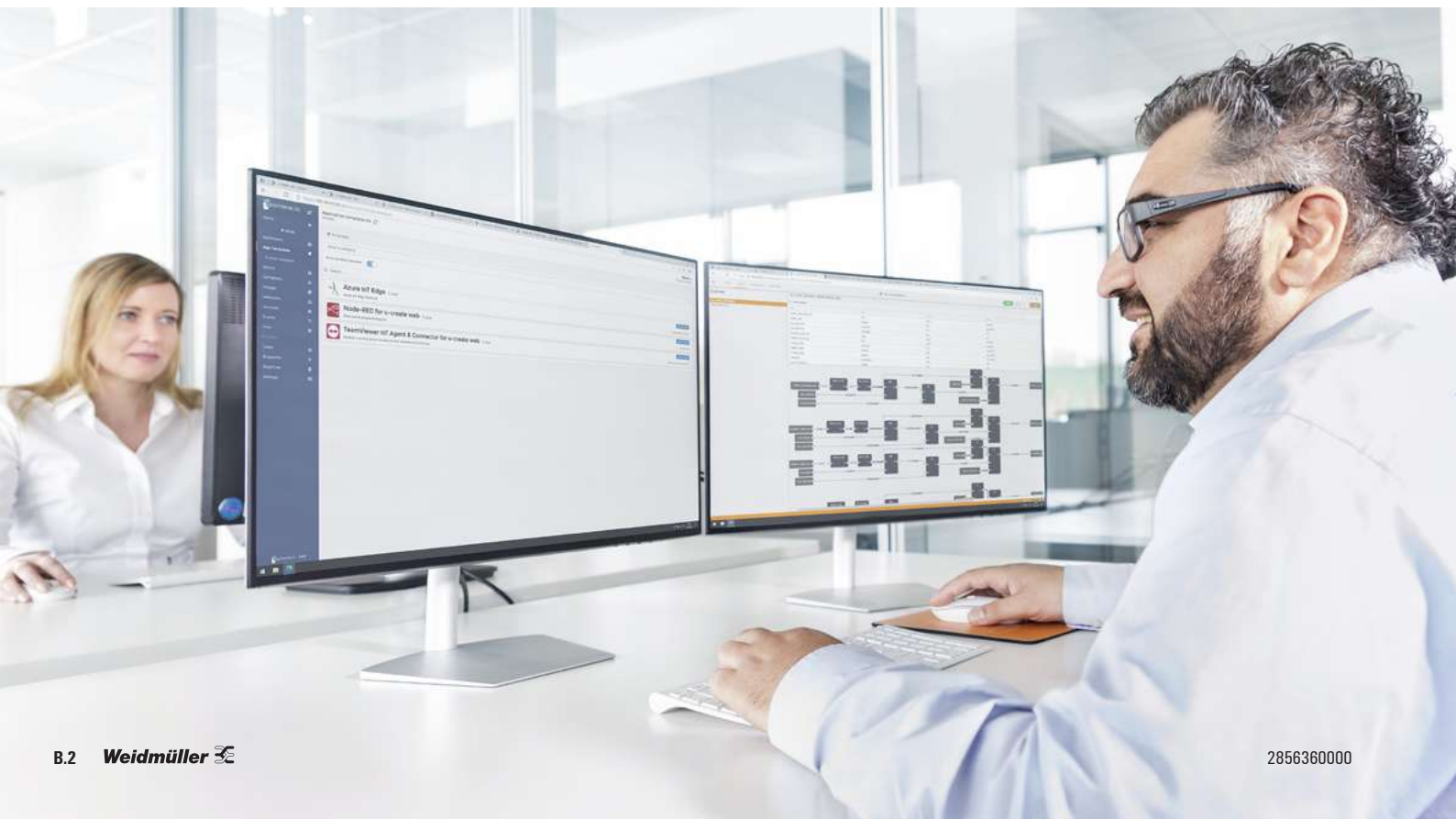
Innovative control system with platform-independent u-create web engineering tool

Worldwide networking, growing data exchange and customer-specific production require more flexible automation solutions. With u-create, we are providing system manufacturers and mechanical engineers with open, web-based and secure control software for the automation of small and medium-sized systems.

u-create web is a web-based engineering software for configuration, system parametrisation and programming according to IEC 61131-3. The software is directly installed on the hardware and does not need to be installed onto a computer. This means that the software can be used as an engineering platform regardless of what hardware and operating system is being used. The integrated smartvisu enables visualisation of the project during programming. The range of functions can be expanded with additional software add-ons (e.g. OPC UA server; u-create PROCON-WEB; and many more). By integrating Node RED, u-create web is also suitable for tasks in the Industrial IoT, thus combining both disciplines in one housing.

With the newly integrated container technology, the user now also has an open system for installing their own software or that of third parties on the controller.

When used in combination with the u-control 2000 control system and the u-remote I/O system, u-create web is the ideal automation solution for your system.



IEC 61131-3

Program according to the IEC 61131-3 programming standard

Web-based

Engineering software can be accessed via web browser and is located directly on the control. This enables platform- or device-independent programming



Web technologies

Use of standardized web technologies such as HTML5



Maximum openness

Container technology allows you to install your own or 3rd party software on the control

Certified for Microsoft Azure

The u-control web is optimal for usage with Azure and other IoT devices. It fulfills all the requirements of the certificate and can be found in the Azure Certified Device Catalogue.



Azure Certified Device

Automate with a customised open platform

u-create studio – the new benchmark for CODESYS and C/C++ engineering

u-create studio enables flexible and modular programming within your application and convinces with simple configuration and diagnosis of your system. An OPC-UA server is also available for standardized M2M communication.



B

Thanks to the open Linux architecture, u-create studio is a particularly flexible automation system that gives you a wide range of options for the individual installation of software modules. The IEC 61131-3-compliant programming based on CODESYS version 3 has proven particularly successful.

In addition, u-create studio with C/C++ surroundings offers object-oriented programming. Powerful debugging and trace tool support quick error analysis during programming. In addition, the fieldbus masters EtherCAT and Modbus TCP Master are implemented, as well as CANopen as an option. u-create studio is the engineering tool optimally adapted for Windows PCs, and is also compatible with our u-control 2000.



Communication options

Integrated fieldbus master (EtherCAT, Modbus TCP Master and optionally CANopen)

Optimal development environment

Develop in your familiar CODESYS-V3.5 surroundings according to IEC 61131-3 or use the additional programming option in C / C++

Powerful debugging

Find and solve errors quickly thanks to the powerful debugging of u-create web



u-create studio

u-create studio

U-CREATE-STUDIO

U-CREATE-STUDIO-ANNUAL



Technical data

System data
Operating system
Configurable target systems
Programming environment
Programming languages according to IEC-61131 (based on CODESYS V3)
Test function integrated
Independent variable pool integrated
Access to external peripherals or cloud systems
Supported high-level languages
Supported communication protocols
Supported programming Interfaces
Additional programming languages
System requirements
Resolution
Operating system
Minimal disk space needed
Minimal memory (RAM) needed
Note

Windows 10
u-control studio hardware
Function Block Diagram (FBD), Ladder Diagram (LD), Structured Text (ST), Sequential Function Chart (SFC)
Breakpoint, Data logger, Force, Oscilloscope, Stepwise
Yes
Node-RED via web server
C, C++
Raw-CAN, CANopen, Modbus RTU, Modbus TCP, EtherCAT Master, OPC-UA Server
Ethernet, USB
Continuous Function Chart (CFC)
1920 x 1080
Windows 10
5 GB
8 GB

Windows 10
u-control studio hardware
Function Block Diagram (FBD), Ladder Diagram (LD), Structured Text (ST), Sequential Function Chart (SFC)
Breakpoint, Data logger, Force, Oscilloscope, Stepwise
Yes
Node-RED via web server
C, C++
Raw-CAN, CANopen, Modbus RTU, Modbus TCP, EtherCAT Master, OPC-UA Server
Ethernet, USB
Continuous Function Chart (CFC)
1920 x 1080
Windows 10
5 GB
8 GB

Ordering data

Type	Qty.	Order No.
U-CREATE-STUDIO	1	2660130000
Note		

Type	Qty.	Order No.
U-CREATE-STUDIO	1	2660130000

Type	Qty.	Order No.
U-CREATE-STUDIO-ANNUAL	1	2722630000

Accessories

Projectable target systems
Projectable target systems
Note

Type	Qty.	Order No.
UC20-SL2000-OLAC-EC	1	2638920000
UC20-SL2000-OLAC-EC-CAN	1	2655590000

Type	Qty.	Order No.
UC20-SL2000-OLAC-EC	1	2638920000
UC20-SL2000-OLAC-EC-CAN	1	2655590000

I/O system IP20

u-remote

I/O system IP20 u-remote	Introduction	C.2
	Fieldbus coupler	C.4
	Digital input modules	C.36
	Digital output modules	C.52
	Digital input and output modules	C.68
	Pulse width modulation and stepper motor modules	C.70
	Analogue input modules	C.74
	Temperature modules and potentiometer input module	C.88
	Strain gauge module	C.96
	Power measurement module	C.98
	Analogue output modules	C.100
	Digital counter and communication modules	C.110
	Safe I/O modules and safe power-feed modules	C.120
	Power-feed modules	C.128
	Accessories	C.132
	System overview	C.136
Decentralised I/O system IP20 – u-remote	C.138	

Achieving maximum efficiency in the control cabinet

With great savings potential and optimum system performance

u-remote from Weidmüller is the reliable interface between field bus and field level in automation. The modular system is based on various components: a fieldbus coupler, up to 64 I/O modules, optional power-feed modules and a wealth of accessories, such as markers and terminating elements.

C The fieldbus coupler is the central link between the various field bus standards and the u-remote system bus. At the same time, up to 64 I/O modules are supplied via its integrated power contacts. The well-engineered technology of the connection system enables 2 x 10 A to be supplied for the input and output modules and the system voltage to be fully supplied through the fieldbus coupler. Every fieldbus coupler provides direct access to the u-remote system via a web server without additional software having to be installed. This means that the system can be parameterised and its configuration checked. Inputs and outputs can also be checked or influenced. The connection may take the form of an Ethernet-based field bus or micro USB. The u-remote fieldbus couplers are integrated in the standard simple manner. The corresponding development environments of the control systems and the device description files available online, e.g. GSD, ESD, EDS oder XML, can be used to easily perform the necessary settings.

The modularly structured I/O modules are unique in that they allow the sensor and actuator wiring to be designed in both a robust and plug-in manner. This allows the electronics to be replaced at any time even with permanent wiring. This achieves an invaluable time saving, in terms of both wiring inaccessible cabinets and rapidly replacing sensors. Thanks to the "PUSH IN" technology for up to 1.5 mm², in their narrowest form of 11.5 mm, the modularly structured u-remote I/O modules can be used for all sensor and actuator connections with a very high connection density. A clear status and diagnosis display on the connection also ensures rapid and precise checks for individual sensors and actuators.



Why waste space?

Design your cabinets one size smaller: u-remote, with the highest connection density on a module, offers you the most slender module width and a far lower space requirement for power-feed modules - an unrivaled channel density and extremely flexible design options.



Simply plug and go

The plug-in connection level allows sensors and actuators to be connected with pre-assembled cables. This means improved time benefits, better handling, and minimises the number of mistakes in system wiring.



Diagnostics, even without a control connection

u-remote simplifies machine commissioning section-by-section and accelerates maintenance work with its integrated web server. Thanks to the high performance diagnostic tool, you can simulate the functionality of inputs and outputs prior to control connection. You can conduct plain text error analyses using any standard browser - whether you're working on-site or remotely.



Intelligently separated

u-remote separates the supply for inputs and outputs using two 10 A current paths which are able to withstand high loads. High productivity translates into fewer power-feed modules and therefore more space and less planning.



PROFIBUS fieldbus coupler

DP-V1, Web server tool, Sub-D connection



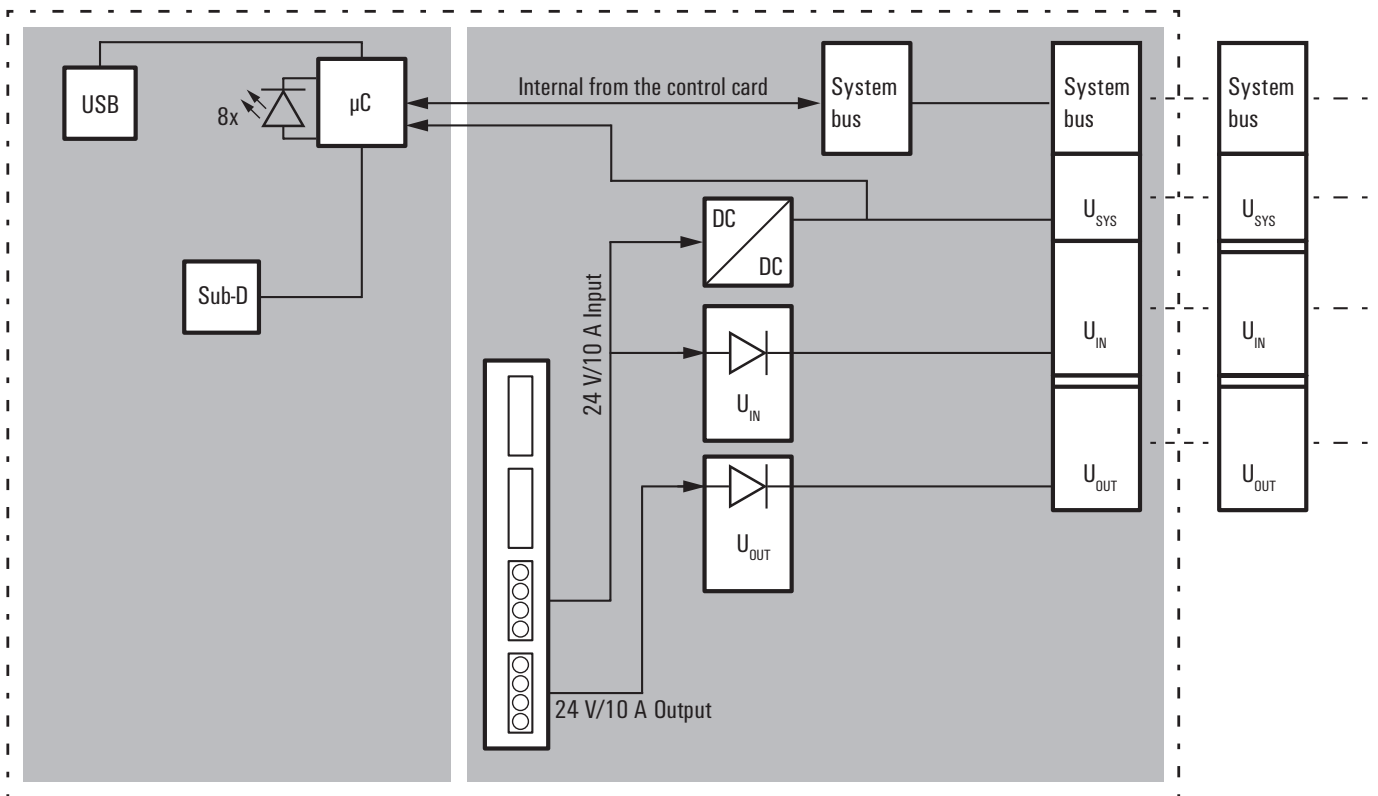
C

In automation technology, the PROFIBUS-DP standard enables the controlled incorporation of sensors and actuators via one central control unit. The UR20-FBC-PB-DP-V2 fieldbus coupler is a PROFIBUS-DP-V1 participant certified by the PROFIBUS user organisation. With options for connecting up to 64 u-remote participants, it serves as the head module for the u-remote system bus. The PROFIBUS-DP coupler has a Sub-D plug-in connector and supports all services according to the DP-V1 specification. Two rotary coding switches are used to address individual PROFIBUS participants.

The coupler can be activated with a system-independent web server application via the USB service interface. All information, such as diagnoses, status values and parameters, can therefore be read out. All connected inputs can also be simulated or outputs set. The initial system power supply is already integrated in the fieldbus coupler. Power is supplied via two 4-pin connectors, separated into the input and output current paths.

Since the PROFIBUS-DP products from Weidmüller make full use of all the latest technological possibilities, such as GSD files and diagnosis messages, they actively support your application in the most important tasks – from engineering and commissioning to fault diagnosis.

Block diagram PROFIBUS fieldbus coupler



PROFIBUS

- 2 x 10 A current paths
- Address can be set using rotary switch
- Web server
- System supply of 64 I/O modules
- Temperature range -20... +60 °C
- PROFIBUS DP-V1

UR20-FBC-PB-DP-V2



Technical data

System data	
Connection type	9-pole SUB-D socket (female)
Field bus protocol	PROFIBUS DP-V1
Process data	488 Byte
Parameter data	244 Byte
Diagnostic data	244 Byte
max. number of modules	64
Configuration interface	Micro USB 2.0
Transmission rate of field bus, max.	12 Mbit/s
Transmission speed of system bus, max.	48 Mbit
Supply	
Supply voltage for inputs	24 V DC +20 %/ -15 %
Supply voltage for outputs	24 V DC +20 %/ -15 %
Feed current for I _{IN} (input current path) , max.	10 A
Feed current for I _{OUT} (output current path) , max.	10 A
Current consumption I _{IN} (power segment of the field bus coupler), typ.	90 mA
General data	
Weight	247 g
Dimensions H x W x D	120 mm / 52 mm / 76 mm
Note	
Download of GSD-file on www.weidmueller.com	

Type	Qty.	Order No.
UR20-FBC-PB-DP-V2	1	2614380000
A termination kit (UR20-EBK-ACC) is included in the coupler package		

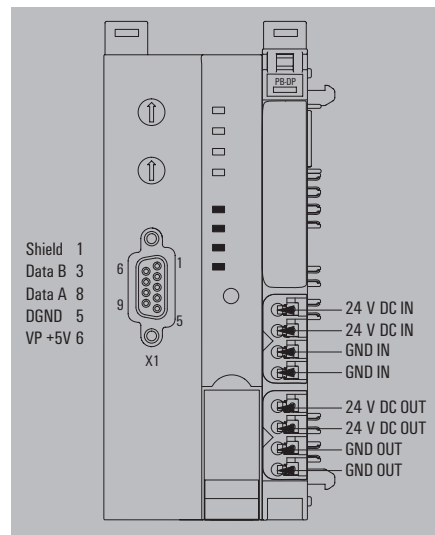
Ordering data

Module variants	
	Field bus coupler, Profibus DP-V1
Note	

Accessories

	Termination kit
	Swivel marker
	Connection marker for pusher custom printing
	Connection marker for pusher neutral
	Module marker for custom printing
	Module marker for neutral
	Thermotransfer version (Material: Polyester)
	Thermotransfer version (material: polyester)
	Paper version for Laserprinter
	USB cable (USB A to Micro USB)
Replacement parts	
	Plug-in connector unit
Note	

Type	Qty.	Order No.
UR20-EBK-ACC	5	1346610000
UR20-SM-ACC	20	1339920000
PM 2.7/2.6 MC SDR	192	1323700000
PM 2.7/2.6 MC NE WS	960	1323710000
DEK 5/8-11.5 MC SDR	100	1341610000
DEK 5/8-11.5 MC NE WS	500	1341630000
THM UR20 GE	1	1429910000
THM UR20 WS	1	1429420000
ESD UR20 DIN A4 WS	10	1429430000
IE-USB-A-MICRO-1.8M	1	1487980000
Replacement parts		
UR20-PK-2614380000-SP	5	2623120000
1 roll = 1000 labels = 1 Qty. 1 sheet = 60 labels = 1 unit		



Product standard	IEC 61131-2
EMC	EN IEC 61000
ATEX	EN 60079
UL	UL 61010-2-201
MSIP	MSIP-REM-WMG-2614380000
CCC	available
EAC	available
ABS (American Bureau of Shipping)	not available
BSH (Federal Maritime and Hydrographic Agency)	available
BV (Bureau Veritas)	available
DNV (Det Norske Veritas)	available
LR (Lloyd's Register)	available
RINA (Registro Italiano Navale)	available
KR (Korean Register)	not available
NK (Nippon Kaiji Kyokai)	available
PRS (Polish Register of Shipping)	not available
RMRoS (Russian Maritime Register of Shipping)	not available
You can find the latest information online at www.weidmueller.com	

C

PROFINET fieldbus coupler

Web server tool, two RJ45 Ports, 100 Mbit/s



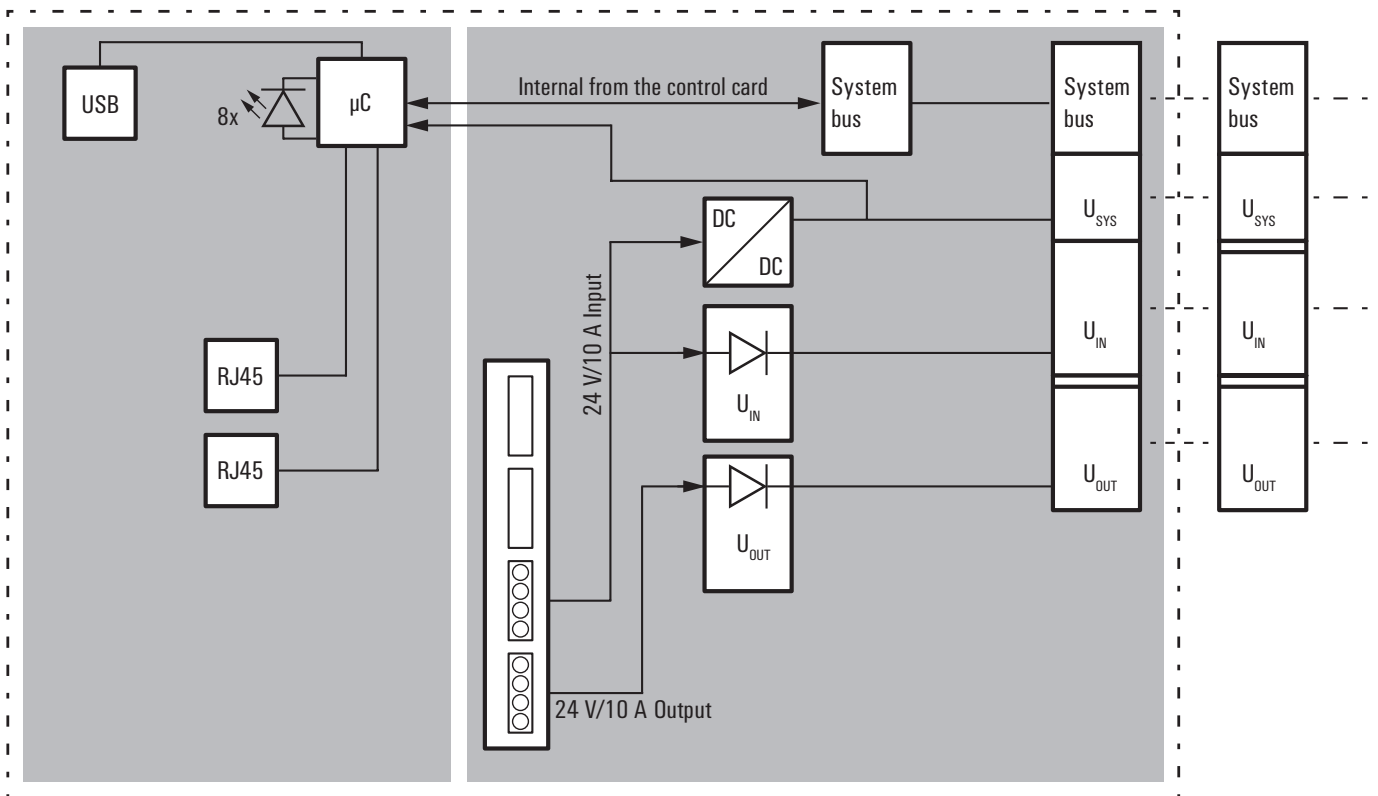
C

PROFINET is gaining in importance as a rapidly growing Industrial Ethernet Standard. By supporting real-time functionality (RT) and isochronous real-time functionality (IRT), the technology complies with modern system and application requirements to a large extent. The UR20-FBC-PN-IRT-V2 field bus coupler is a PROFINET-IRT participant certified by the PROFIBUS user organisation. It is able to connect up to 64 u-remote participants and two Ethernet ports with integrated switch to implement a line network structure.

The coupler can be activated with a system-independent web server application via the USB service interface or the Ethernet ports. All information, such as diagnoses, status values and parameters, can therefore be read out. All connected inputs can also be simulated or outputs set. The initial system power supply is already integrated in the field bus coupler. Power is supplied via two 4-pin connectors, separated into the input and output current paths.

Since the PROFINET products from Weidmüller make full use of all the latest technological possibilities, such as GSDML files and diagnosis messages, they actively support your application in the most important tasks – from engineering and commissioning to fault diagnosis.

Block diagram PROFINET fieldbus coupler



PROFINET

- 2 x 10 A current paths
- Web server
- System supply of 64 I/O modules
- Temperature range -20... +60 °C
- PROFINET IRT/RT capable
- PROFINET diagnosis
- LLDP - Neighborhood detection

UR20-FBC-PN-IRT-V2



Technical data

System data

Connection type
Field bus protocol
Process data
Parameter data
Diagnostic data
Fast Startup
max. number of modules
Configuration interface
Transmission rate of field bus, max.
Transmission speed of system bus, max.

2x RJ45 plug-in connectors
PROFINET IRT
1024 Byte
1485 Byte
1485 Byte
Yes
64
Micro USB 2.0
100 Mbit/s
48 Mbit/s

Supply

Supply voltage for inputs
Supply voltage for outputs
Feed current for I_{in} (input current path) , max.
Feed current for I_{out} (output current path) , max.
Current consumption I_{in} (power segment of the field bus coupler), typ.

24 V DC +20 %/ -15 %
24 V DC +20 %/ -15 %
10 A
10 A
100 mA

General data

Weight
Dimensions H x W x D

247 g
120 mm / 52 mm / 76 mm

Note

Download of GSDML-file on www.weidmueller.com

Ordering data

Module variants

Field bus coupler, PROFINET IRT

Note

Type	Qty.	Order No.
UR20-FBC-PN-IRT-V2	1	2566380000

A termination kit (UR20-EBK-ACC) is included in the coupler package

Accessories

Termination kit	UR20-EBK-ACC	5	1346610000
Swivel marker	UR20-SM-ACC	20	1339920000
Connection marker for pusher custom printing	PM 2.7/2.6 MC SDR	192	1323700000
Connection marker for pusher neutral	PM 2.7/2.6 MC NE WS	960	1323710000
Module marker for custom printing	DEK 5/8-11.5 MC SDR	100	1341610000
Module marker for neutral	DEK 5/8-11.5 MC NE WS	500	1341630000
Thermotransfer version (Material: Polyester)	THM UR20 GE	1	1429910000
Thermotransfer version (material: polyester)	THM UR20 WS	1	1429420000
Paper version for Laserprinter	ESO UR20 DIN A4 WS	10	1429430000
USB cable (USB A to Micro USB)	IE-USB-A-MICRO-1.8M	1	1487980000

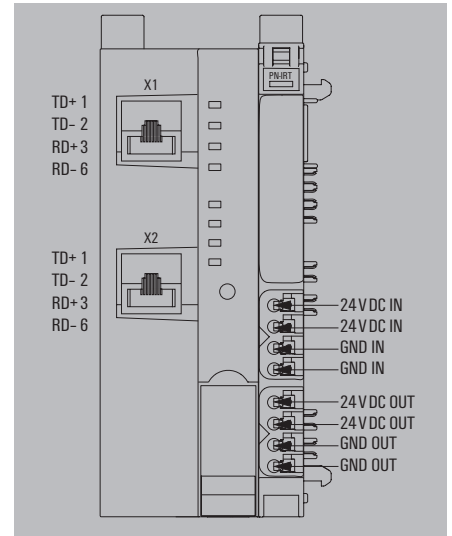
Replacement parts

Plug-in connector unit

Note

UR20-PK-2566380000-SP	5	2623640000
-----------------------	---	------------

1 roll = 1000 labels = 1 Qty.
1 sheet = 60 labels = 1 unit



Product standard	IEC 61131-2
EMC	EN IEC 61000
ATEX	EN 60079
UL	UL 61010-2-201
MSIP	MSIP-REM-WMG-2566380000
CCC	available
EAC	available
ABS (American Bureau of Shipping)	available
BSH (Federal Maritime and Hydrographic Agency)	available
BV (Bureau Veritas)	available
DNV (Det Norske Veritas)	available
LR (Lloyd's Register)	available
RINA (Registro Italiano Navale)	available
KR (Korean Register)	not available
NK (Nippon Kaiji Kyokai)	not available
PRS (Polish Register of Shipping)	not available
RMRoS (Russian Maritime Register of Shipping)	not available

You can find the latest information online at www.weidmueller.com

PROFINET Fieldbus coupler ECO

Web server tool,
two RJ45 Ports, 100 Mbit/s



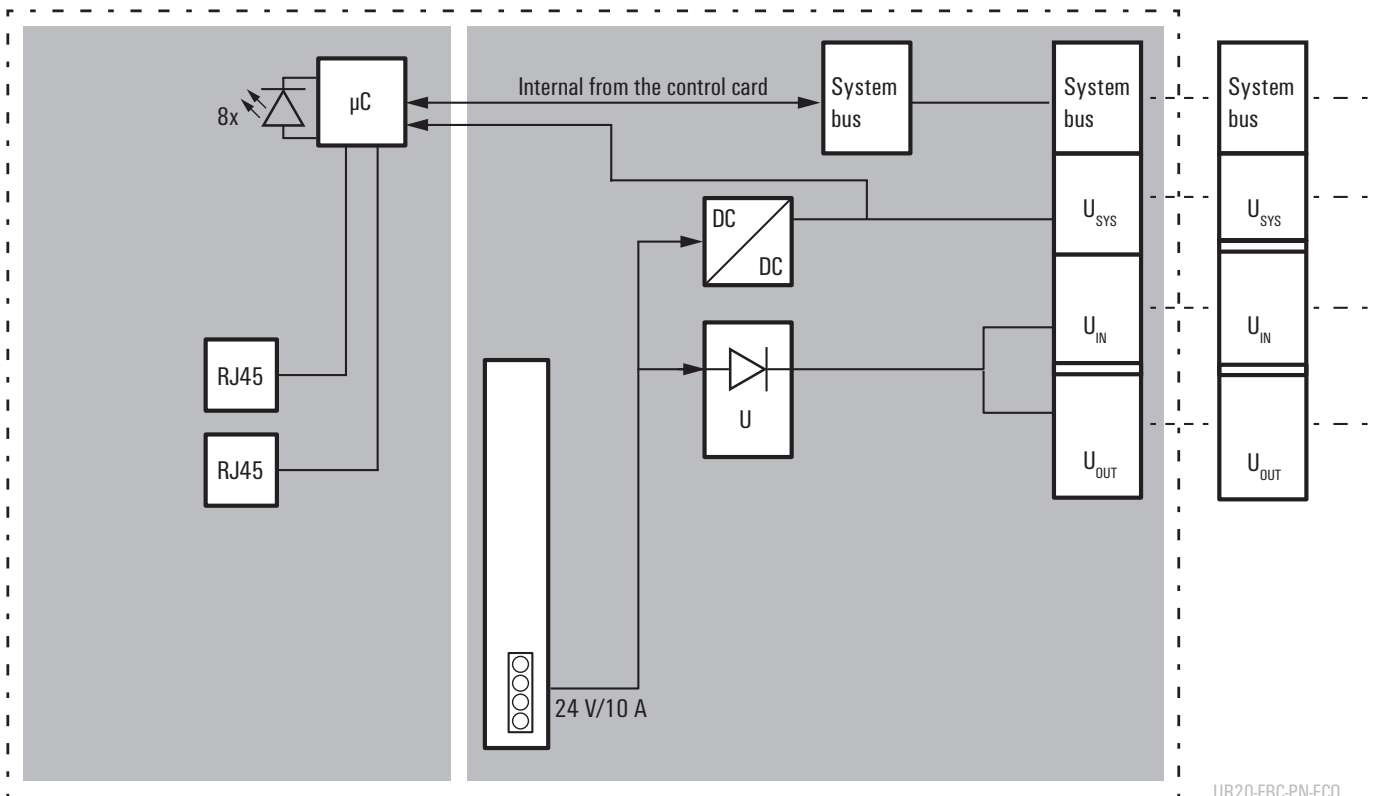
PROFINET is gaining in importance as a rapidly growing Industrial Ethernet Standard. By supporting real-time functionality (RT), the technology complies with modern system and application requirements to a large extent. The UR20-FBC-PN-ECO fieldbus coupler is a PROFINET participant certified by the PROFIBUS user organisation. It can connect up to 16 u-remote participants and two Ethernet ports with integrated switch to implement a line network structure.

C

The coupler can be activated with a system-independent web server application via the Ethernet ports. All information, such as diagnoses, status values and parameters, can therefore be read out. All connected inputs can also be simulated or outputs set. The system's initial power supply is already integrated in the Eco fieldbus coupler.

PROFINET products from Weidmüller fully exploit all the possibilities of the technology standard, e.g. using a GSDML file and diagnostic messages. In this way, they actively support your application in the most important tasks – from engineering and commissioning to fault diagnosis.

Block diagram PROFINET fieldbus coupler ECO



UR20-FBC-PN-ECO

PROFINET ECO

- 10 A current paths
- Web server via ethernet
- System supply of 16 I/O modules
- Temperature range 0... +50 °C
- PROFINET RT capable
- PROFINET diagnosis

UR20-FBC-PN-ECO



Technical data

System data	
Connection type	2x RJ45 plug-in connectors
Field bus protocol	PROFINET RT
Process data	1024 Byte
Parameter data	4362 kByte
Diagnostic data	1408 Byte
Fast Startup	Yes
max. number of modules	16
Transmission rate of field bus, max.	100 Mbit/s
Transmission speed of system bus, max.	48 Mbit/s
Supply	
Voltage supply	24 V DC +20 %/ -15 %, via the system bus
Feed current for I _{in} (input current path) , max.	10 A
Current consumption I _m (power segment of the field bus coupler), typ.	80 mA
General data	
Weight	247 g
Dimensions H x W x D	120 mm / 52 mm / 76 mm
Note	
Download of GSDML-file on www.weidmueller.com	

Type	Qty.	Order No.
UR20-FBC-PN-ECO	1	2659680000
A termination kit (UR20-EBK-ACC) is included in the coupler package.		

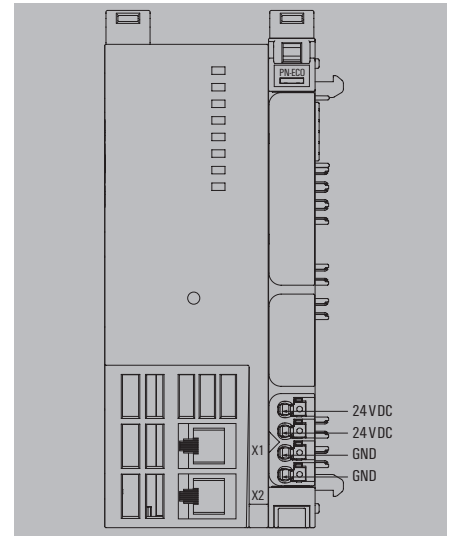
Ordering data

Module variants	
	Field bus coupler, PROFINET RT
Note	

Accessories

Termination kit	UR20-EBK-ACC	5	1346610000
Swivel marker	UR20-SM-ACC	20	1339920000
Connection marker for pusher custom printing	PM 2.7/2.6 MC SDR	192	1323700000
Connection marker for pusher neutral	PM 2.7/2.6 MC NE WS	960	1323710000
Module marker for custom printing	DEK 5/8-11.5 MC SDR	100	1341610000
Module marker for neutral	DEK 5/8-11.5 MC NE WS	500	1341630000
Thermotransfer version (Material: Polyester)	THM UR20 GE	1	1429910000
Thermotransfer version (material: polyester)	THM UR20 WS	1	1429420000
Paper version for Laserprinter	ESO UR20 DIN A4 WS	10	1429430000
Replacement parts			
Plug-in connector unit	UR20-PK-2659680000-SP	5	2702590000
Note			
1 roll = 1000 labels = 1 Qty. 1 sheet = 60 labels = 1 unit			

Product standard	IEC 61131-2
EMC	EN IEC 61000
ATEX	not available
UL	UL 61010-2-201
MSIP	MSIP-REM-WMG-2659680000
CCC	not available
EAC	available
ABS (American Bureau of Shipping)	not available
BSH (Federal Maritime and Hydrographic Agency)	not available
BV (Bureau Veritas)	not available
DNV (Det Norske Veritas)	not available
LR (Lloyd's Register)	not available
RINA (Registro Italiano Navale)	not available
KR (Korean Register)	not available
NK (Nippon Kaiji Kyokai)	not available
PRS (Polish Register of Shipping)	not available
RMRoS (Russian Maritime Register of Shipping)	not available
You can find the latest information online at www.weidmueller.com	



EtherCAT fieldbus coupler

Web server tool, two RJ45 Ports, 10/100 Mbit/s



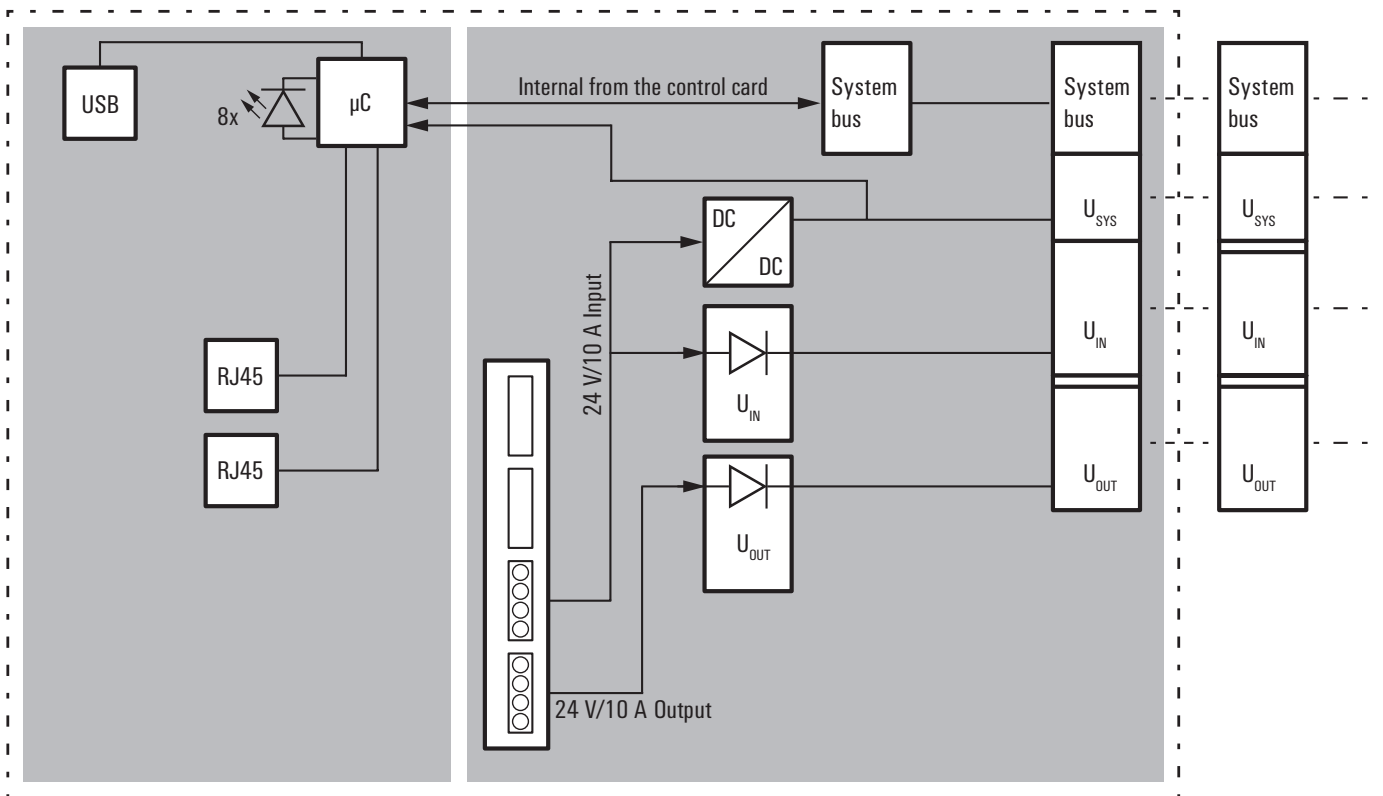
EtherCAT is a popular field bus standard for systems with stringent time requirements. The UR20-FBC-EC field bus coupler is an EtherCAT participant certified by the EtherCAT Technology Group. With options for connecting up to 64 u-remote participants, it serves as the head module for the u-remote system bus. The EtherCAT coupler has two Ethernet ports with integrated switch for implementing a line network structure.

C

The coupler can be activated with a system-independent web server application via the USB service interface or the Ethernet ports. All information, such as diagnoses, status values and parameters, can therefore be read out. All connected inputs can also be simulated or outputs set. The system's initial power supply is already integrated in the field bus coupler. Power is supplied via two 4-pin connectors, separated into the input and output current paths.

Since the EtherCAT products from Weidmüller make full use of all the latest technological possibilities, such as use of XML files, they actively support your application in the most important tasks – from engineering and commissioning to fault diagnosis.

Block diagram EtherCAT fieldbus coupler



EtherCAT

- 2 x 10 A current path
- Web server
- System supply for 64 I/O modules
- Temperature range: -20... +60 °C
- Various EtherCAT services

UR20-FBC-EC



Technical data

System data	
Connection type	2x RJ45 plug-in connectors
Field bus protocol	EtherCAT
Process data	1024 Byte
Parameter data	4 kByte
Diagnostic data	3200 Byte
max. number of modules	64
Configuration interface	Micro USB 2.0
Transmission rate of field bus, max.	100 Mbit/s
Transmission speed of system bus, max.	48 Mbit/s
Supply	
Supply voltage for inputs	24 V DC +20 %/ -15 %
Supply voltage for outputs	24 V DC +20 %/ -15 %
Feed current for I _{IN} (input current path) , max.	10 A
Feed current for I _{OUT} (output current path) , max.	10 A
Current consumption I _{IN} (power segment of the field bus coupler), typ.	130 mA
General data	
Weight	227 g
Dimensions H x W x D	120 mm / 52 mm / 76 mm
Note	
Download of ESH-file on www.weidmueller.com	

Ordering data

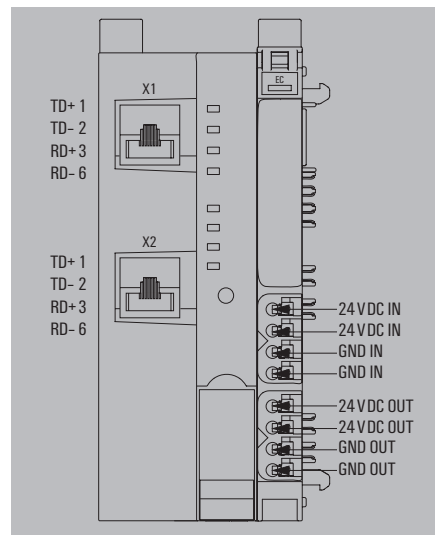
Module variants	
	Field bus coupler, EtherCAT
Note	

Accessories

Termination kit	UR20-EBK-ACC	5	1346610000	
Swivel marker	UR20-SM-ACC	20	1339920000	
Connection marker for pusher custom printing	PM 2.7/2.6 MC SDR	192	1323700000	
Connection marker for pusher neutral	PM 2.7/2.6 MC NE WS	960	1323710000	
Module marker for custom printing	DEK 5/8-11.5 MC SDR	100	1341610000	
Module marker for neutral	DEK 5/8-11.5 MC NE WS	500	1341630000	
Thermotransfer version (Material: Polyester)	THM UR20 GE	1	1429910000	
Thermotransfer version (material: polyester)	THM UR20 WS	1	1429420000	
Paper version for Laserprinter	ESD UR20 DIN A4 WS	10	1429430000	
USB cable (USB A to Micro USB)	IE-USB-A-MICRO-1.8M	1	1487980000	
Replacement parts				
	Plug-in connector unit	UR20-PK-1334910000-SP	5	1484440000
Note				
1 roll = 1000 label = 1 Qty. 1 sheet = 60 label = 1 Qty.				

Type	Qty.	Order No.
UR20-FBC-EC	1	1334910000
A termination kit (UR20-EBK-ACC) is included in the coupler package		

Type	Qty.	Order No.
UR20-EBK-ACC	5	1346610000
UR20-SM-ACC	20	1339920000
PM 2.7/2.6 MC SDR	192	1323700000
PM 2.7/2.6 MC NE WS	960	1323710000
DEK 5/8-11.5 MC SDR	100	1341610000
DEK 5/8-11.5 MC NE WS	500	1341630000
THM UR20 GE	1	1429910000
THM UR20 WS	1	1429420000
ESD UR20 DIN A4 WS	10	1429430000
IE-USB-A-MICRO-1.8M	1	1487980000
UR20-PK-1334910000-SP	5	1484440000
1 roll = 1000 label = 1 Qty. 1 sheet = 60 label = 1 Qty.		



Product standard	IEC 61131-2
EMC	EN IEC 61000
ATEX	EN 60079
UL	UL 61010-2-201
MSIP	MSIP-REM-WMG-1334910000
CCC	available
EAC	available
ABS (American Bureau of Shipping)	available
BSH (Federal Maritime and Hydrographic Agency)	available
BV (Bureau Veritas)	available
DNV (Det Norske Veritas)	available
LR (Lloyd's Register)	available
RINA (Registro Italiano Navale)	available
KR (Korean Register)	available
NK (Nippon Kaiji Kyokai)	available
PRS (Polish Register of Shipping)	available
RMRoS (Russian Maritime Register of Shipping)	available
You can find the latest information online at www.weidmueller.com	



EtherCAT fieldbus coupler ECO

Web server tool,
two RJ45 Ports, 100 Mbit/s



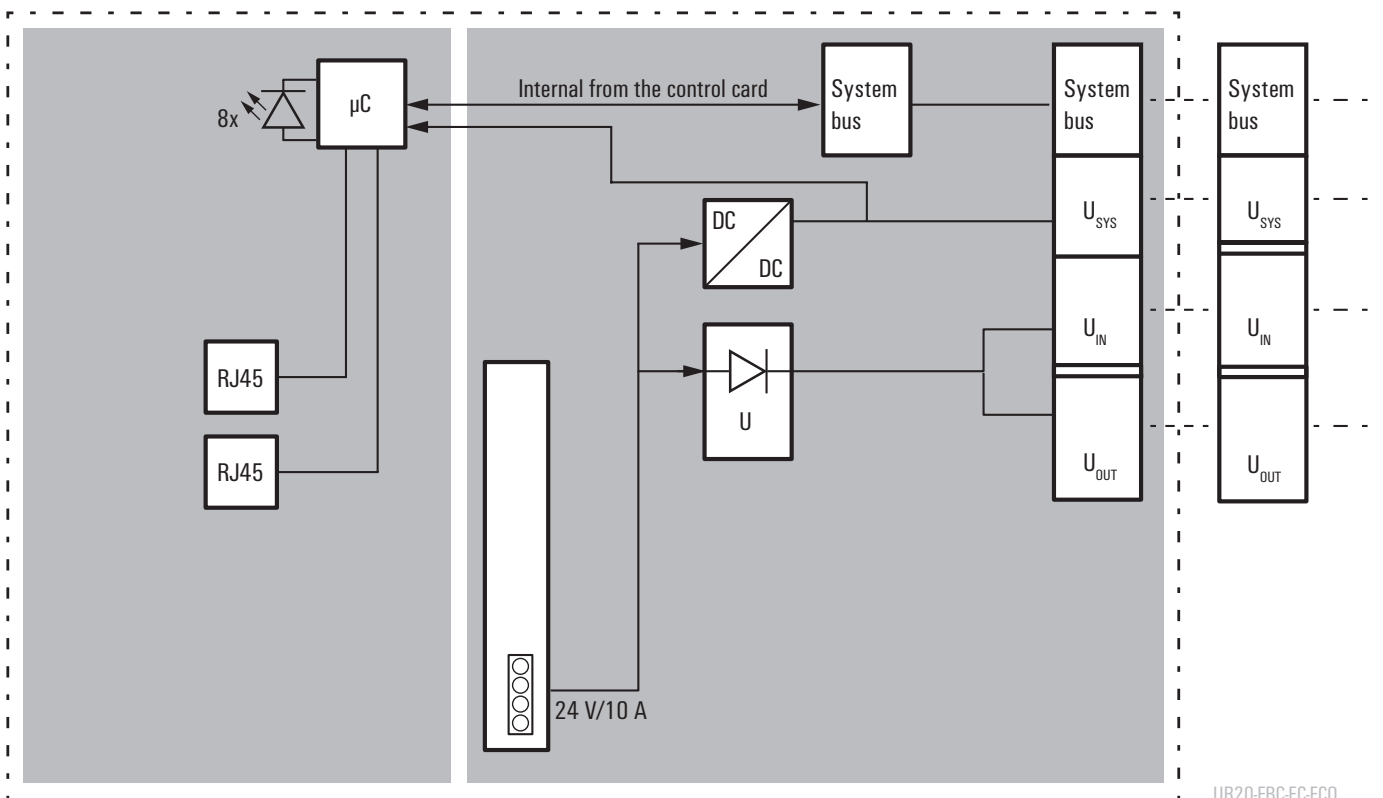
EtherCAT is a popular fieldbus standard for systems with stringent time requirements. The UR20-FBC-EC-ECO fieldbus coupler is an EtherCAT participant certified by the EtherCAT Technology Group. With options for connecting up to 16 u-remote participants, it serves as the head module for the u-remote system bus. The EtherCAT coupler ECO has two Ethernet ports with integrated switch for implementing a line network structure.

C

The coupler can be activated with a system-independent web server application via the Ethernet ports. All information, such as diagnoses, status values and parameters, can therefore be read out. All connected inputs can also be simulated or outputs set. The initial system power supply is already integrated in the fieldbus coupler.

EtherCAT products from Weidmüller fully exploit all the possibilities of the technology standard, e.g. the use of ESI files. In this way, they actively support your application in the most important tasks – from engineering and commissioning to fault diagnosis.

Block diagram EtherCAT fieldbus coupler ECO



EtherCAT ECO

- 10 A current paths
- Web server via ethernet
- System supply of 16 I/O modules
- Temperature range 0... +50 °C
- Various EtherCAT services

UR20-FBC-EC-ECO



Technical data

System data	
Connection type	2x RJ45 plug-in connectors
Field bus protocol	EtherCAT
Process data	1024 Byte
Parameter data	1024 Byte
Diagnostic data	800 Byte
max. number of modules	16
Transmission rate of field bus, max.	100 Mbit/s
Transmission speed of system bus, max.	48 Mbit/s
Supply	
Voltage supply	24 V DC +20 %/ -15 %, via the system bus
Feed current for I _{IN} (input current path) , max.	10 A
Current consumption I _N (power segment of the field bus coupler), typ.	80 mA
General data	
Weight	247 g
Dimensions H x W x D	120 mm / 52 mm / 76 mm
Note	
Download of ESI-file on www.weidmueller.com	

Ordering data

Module variants	
	Field bus coupler, EtherCAT
Note	

Accessories

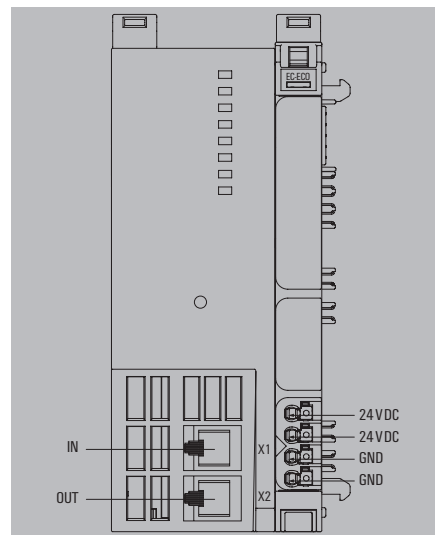
Termination kit	UR20-EBK-ACC	5	1346610000
Swivel marker	UR20-SM-ACC	20	1339920000
Connection marker for pusher custom printing	PM 2.7/2.6 MC SDR	192	1323700000
Connection marker for pusher neutral	PM 2.7/2.6 MC NE WS	960	1323710000
Module marker for custom printing	DEK 5/8-11.5 MC SDR	100	1341610000
Module marker for neutral	DEK 5/8-11.5 MC NE WS	500	1341630000
Thermotransfer version (Material: Polyester)	THM UR20 GE	1	1429910000
Thermotransfer version (material: polyester)	THM UR20 WS	1	1429420000
Paper version for Laserprinter	ESO UR20 DIN A4 WS	10	1429430000
Replacement parts			
Plug-in connector unit	UR20-PK-2659690000-SP	5	2702600000
Note			
1 roll = 1000 labels = 1 Qty. 1 sheet = 60 labels = 1 unit			

Type	Qty.	Order No.
UR20-FBC-EC-ECO	1	2659690000

A termination kit (UR20-EBK-ACC) is included in the coupler package.

Type	Qty.	Order No.
UR20-EBK-ACC	5	1346610000
UR20-SM-ACC	20	1339920000
PM 2.7/2.6 MC SDR	192	1323700000
PM 2.7/2.6 MC NE WS	960	1323710000
DEK 5/8-11.5 MC SDR	100	1341610000
DEK 5/8-11.5 MC NE WS	500	1341630000
THM UR20 GE	1	1429910000
THM UR20 WS	1	1429420000
ESO UR20 DIN A4 WS	10	1429430000
UR20-PK-2659690000-SP	5	2702600000

1 roll = 1000 labels = 1 Qty.
1 sheet = 60 labels = 1 unit



Product standard	IEC 61131-2
EMC	EN IEC 61000
ATEX	not available
UL	UL 61010-2-201
MSIP	MSIP-REM-WMG-2659690000
CCC	not available
EAC	available
ABS (American Bureau of Shipping)	not available
BSH (Federal Maritime and Hydrographic Agency)	not available
BV (Bureau Veritas)	not available
DNV (Det Norske Veritas)	not available
LR (Lloyd's Register)	not available
RINA (Registro Italiano Navale)	not available
KR (Korean Register)	not available
NK (Nippon Kaiji Kyokai)	not available
PRS (Polish Register of Shipping)	not available
RMRoS (Russian Maritime Register of Shipping)	not available

You can find the latest information online at www.weidmueller.com



ModbusTCP fieldbus coupler

Web server tool, two RJ45 Ports, 10/100 Mbit/s



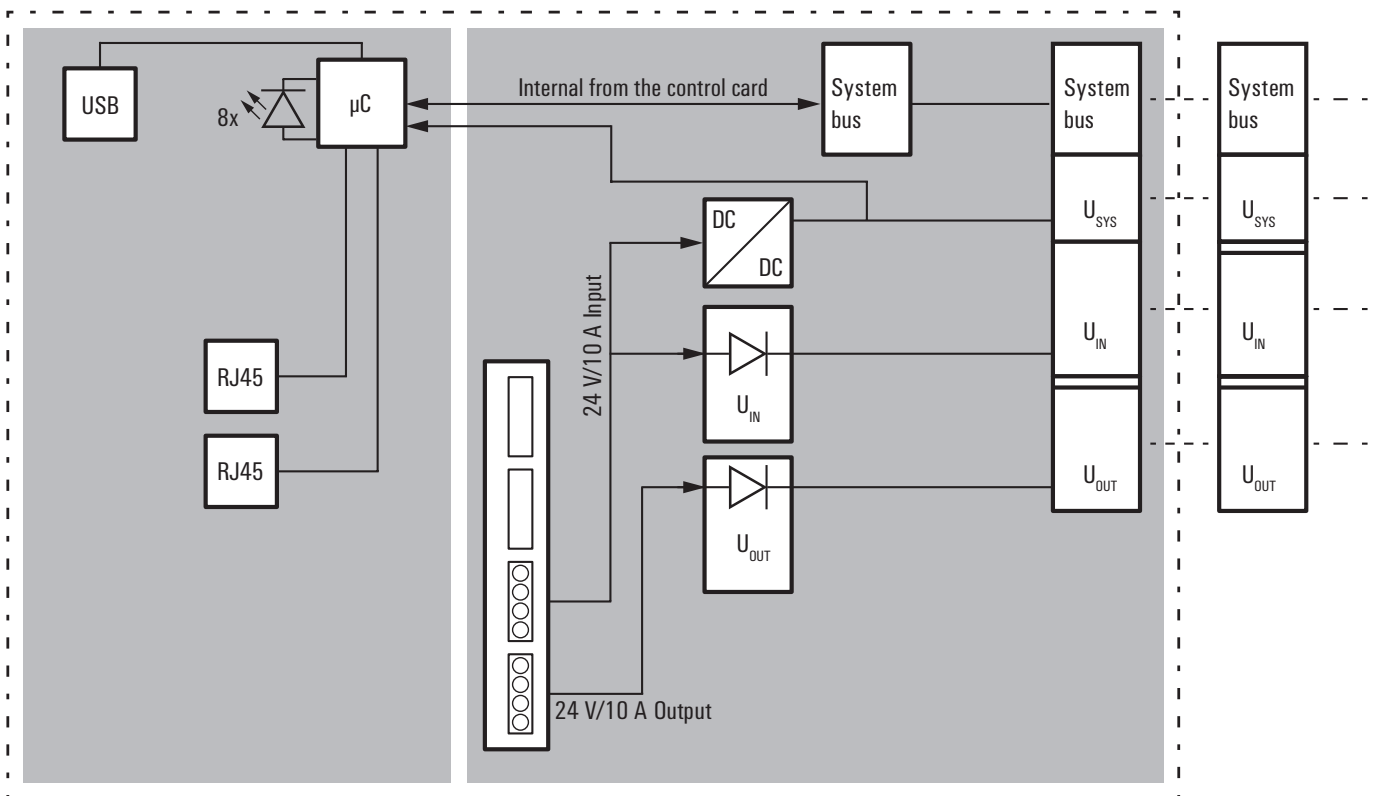
System safety around the globe is provided by the ModbusTCP version, which is stated in IEC 61158 as an Industrial Ethernet Standard. The UR20-FBC-MOD-TCP-V2 from Weidmüller is a field bus coupler designed in accordance with IEC 61158. With options for connecting up to 64 u-remote participants, it serves as the head module for the u-remote system bus.

C

The coupler can be activated with a system-independent web server application via the USB service interface or the Ethernet ports. All information, such as diagnoses, status values and parameters, can therefore be read out. All connected inputs can also be simulated or outputs set. The system's initial power supply is already integrated in the field bus coupler. Power is supplied via two 4-pin connectors, separated into the input and output current paths.

Since the ModbusTCP products from Weidmüller make full use of all the latest technological possibilities, such as diagnosis options, they actively support your application in the most important tasks – from engineering and commissioning to fault diagnosis.

Block diagram Modbus TCP fieldbus coupler



ModbusTCP

- Dual LAN mode
- 2 x 10 A current path
- Various Modbus services
- Web server
- System supply for 64 I/O modules
- Temperature range: -20... +60 °C

UR20-FBC-MOD-TCP-V2



Technical data

System data	
Connection type	2x RJ45 plug-in connectors
Field bus protocol	Modbus/TCP
Process data	1 kByte
Parameter data	1024 Byte
Diagnostic data	1024 Byte
max. number of modules	64
Configuration interface	Micro USB 2.0
Transmission rate of field bus, max.	100 Mbit/s
Transmission speed of system bus, max.	48 Mbit/s
Supply	
Supply voltage for inputs	24 V DC +20 %/ -15 %
Supply voltage for outputs	24 V DC +20 %/ -15 %
Feed current for I _{IN} (input current path) , max.	10 A
Feed current for I _{OUT} (output current path) , max.	10 A
Current consumption I _{IN} (power segment of the field bus coupler), typ.	112 mA
General data	
Weight	223 g
Dimensions H x W x D	120 mm / 52 mm / 76 mm
Note	

Ordering data

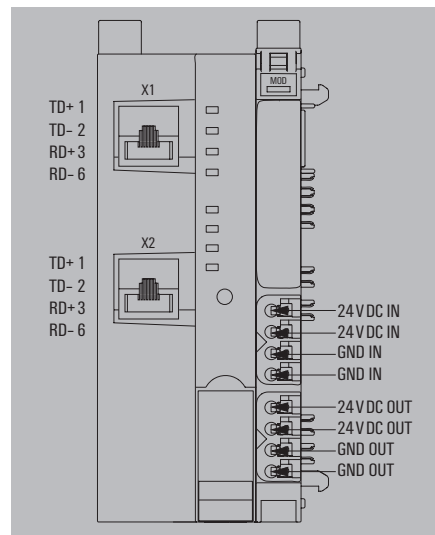
Module variants	
	Fieldbus coupler, ModbusTCP
Note	

Accessories

	Termination kit
	Swivel marker
	Connection marker for pusher custom printing
	Connection marker for pusher neutral
	Module marker for custom printing
	Module marker for neutral
	Thermotransfer version (Material: Polyester)
	Thermotransfer version (material: polyester)
	Paper version for Laserprinter
	USB cable (USB A to Micro USB)
Replacement parts	
	Plug-in connector unit
Note	

Type	Qty.	Order No.
UR20-FBC-MOD-TCP-V2	1	2476450000
A termination kit (UR20-EBK-ACC) is included in the coupler package		

Type	Qty.	Order No.
UR20-EBK-ACC	5	1346610000
UR20-SM-ACC	20	1339920000
PM 2.7/2.6 MC SDR	192	1323700000
PM 2.7/2.6 MC NE WS	960	1323710000
DEK 5/8-11.5 MC SDR	100	1341610000
DEK 5/8-11.5 MC NE WS	500	1341630000
THM UR20 GE	1	1429910000
THM UR20 WS	1	1429420000
ESD UR20 DIN A4 WS	10	1429430000
IE-USB-A-MICRO-1.8M	1	1487980000
Replacement parts		
UR20-PK-2476450000-SP	5	2485280000
1 roll = 1000 labels = 1 Qty. 1 sheet = 60 labels = 1 unit		



Product standard	IEC 61131-2
EMC	EN IEC 61000
ATEX	EN 60079
UL	UL 61010-2-201
MSIP	MSIP-REM-WMG-2476450000
CCC	available
EAC	available
ABS (American Bureau of Shipping)	available
BSH (Federal Maritime and Hydrographic Agency)	available
BV (Bureau Veritas)	available
DNV (Det Norske Veritas)	available
LR (Lloyd's Register)	available
RINA (Registro Italiano Navale)	available
KR (Korean Register)	available
NK (Nippon Kaiji Kyokai)	available
PRS (Polish Register of Shipping)	available
RMRoS (Russian Maritime Register of Shipping)	available
You can find the latest information online at www.weidmuller.com	

C

ModbusTCP fieldbus coupler ECO

Web server tool,
two RJ45 Ports, 100 Mbit/s



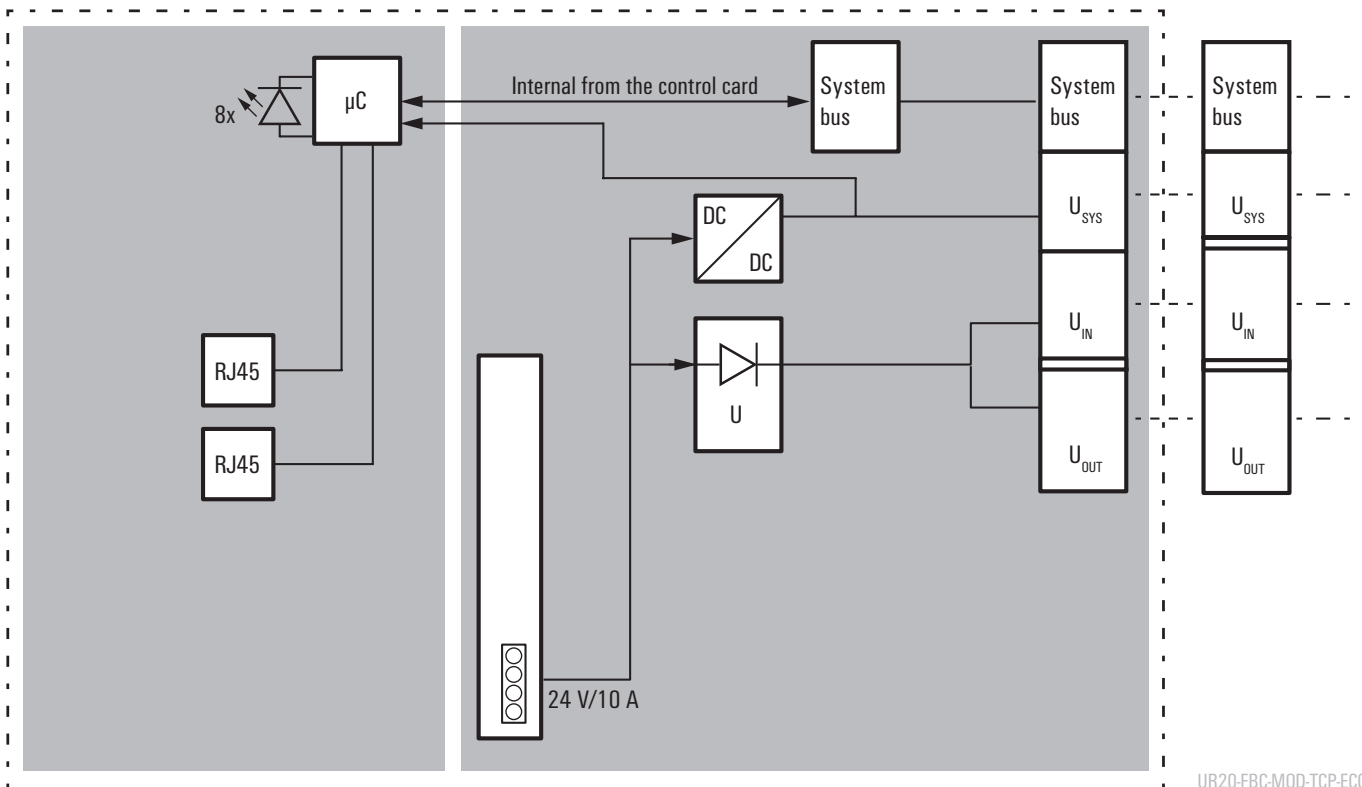
System safety around the globe is provided by the Modbus TCP version, which is stated in IEC 61158 as an Industrial Ethernet Standard. The UR20-FBC-MOD-TCP-ECO from Weidmüller is a fieldbus coupler designed in accordance with IEC 61158. With options for connecting up to 16 u-remote participants, it serves as the head module for the u-remote system bus.

C

The coupler can be activated with a system-independent web server application via the Ethernet ports. All information, such as diagnoses, status values and parameters, can therefore be read out. All connected inputs can also be simulated or outputs set. The initial system power supply is already integrated in the fieldbus coupler.

ModbusTCP products from Weidmüller fully exploit all the possibilities of the technology standard, e.g. through diagnostic options. In this way, they actively support your application in the most important tasks – from engineering and commissioning to fault diagnosis.

Block diagram Modbus TCP fieldbus coupler ECO



UR20-FBC-MOD-TCP-ECO

ModbusTCP ECO

- 10 A current paths
- Various Modbus services
- Web server via ethernet
- System supply of 16 I/O modules
- Temperature range 0... +50 °C

UR20-FBC-MOD-TCP-ECO



Technical data

System data	
Connection type	2x RJ45 plug-in connectors
Field bus protocol	Modbus/TCP
Process data	1 kByte
Parameter data	1 kByte
Diagnostic data	1 kByte
max. number of modules	16
Transmission rate of field bus, max.	100 Mbit/s
Transmission speed of system bus, max.	48 Mbit/s
Supply	
Voltage supply	24 V DC +20 %/ -15 %, via the system bus
Feed current for I _{in} (input current path) , max.	10 A
Current consumption I _m (power segment of the field bus coupler), typ.	80 mA
General data	
Weight	247 g
Dimensions H x W x D	120 mm / 52 mm / 76 mm
Note	

Type	Qty.	Order No.
UR20-FBC-MOD-TCP-ECO	1	2659700000
A termination kit (UR20-EBK-ACC) is included in the coupler package.		

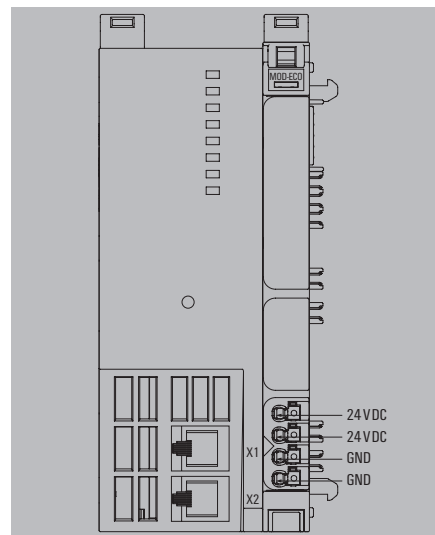
Ordering data

Module variants	
	Fieldbus coupler, ModbusTCP
Note	

Accessories

Termination kit	UR20-EBK-ACC	5	1346610000
Swivel marker	UR20-SM-ACC	20	1339920000
Connection marker for pusher custom printing	PM 2.7/2.6 MC SDR	192	1323700000
Connection marker for pusher neutral	PM 2.7/2.6 MC NE WS	960	1323710000
Module marker for custom printing	DEK 5/8-11.5 MC SDR	100	1341610000
Module marker for neutral	DEK 5/8-11.5 MC NE WS	500	1341630000
Thermotransfer version (Material: Polyester)	THM UR20 GE	1	1429910000
Thermotransfer version (material: polyester)	THM UR20 WS	1	1429420000
Paper version for Laserprinter	ESO UR20 DIN A4 WS	10	1429430000
Replacement parts			
	UR20-PK-2659700000-SP	5	2702610000
1 roll = 1000 labels = 1 Qty. 1 sheet = 60 labels = 1 unit			
Note			

Product standard	IEC 61131-2
EMC	EN IEC 61000
ATEX	not available
UL	UL 61010-2-201
MSIP	MSIP-REM-WMG-2659700000
CCC	not available
EAC	available
ABS (American Bureau of Shipping)	not available
BSH (Federal Maritime and Hydrographic Agency)	not available
BV (Bureau Veritas)	not available
DNV (Det Norske Veritas)	not available
LR (Lloyd's Register)	not available
RINA (Registro Italiano Navale)	not available
KR (Korean Register)	not available
NK (Nippon Kaiji Kyokai)	not available
PRS (Polish Register of Shipping)	not available
RMRoS (Russian Maritime Register of Shipping)	not available
You can find the latest information online at www.weidmueller.com	



EtherNet/IP fieldbus coupler

Web server tool, two RJ45 Ports, 10/100 Mbit/s

EtherNet/IP™ is a widely used, real-time capable industrial Ethernet fieldbus system. Based on Ethernet technology standards such as TCP and UDP, EtherNet/IP offers not only the transmission of unicast messages between two participants but also the possibility of sending I/O data cyclically to several recipients via multicast. The fieldbus couplers UR20-FBC-EIP and UR20-FBC-EIP-V2, developed according to IEC 61158, are EtherNet/IP participants. With options for connecting up to 64 u-remote participants, it serves as the head module for the u-remote system bus.

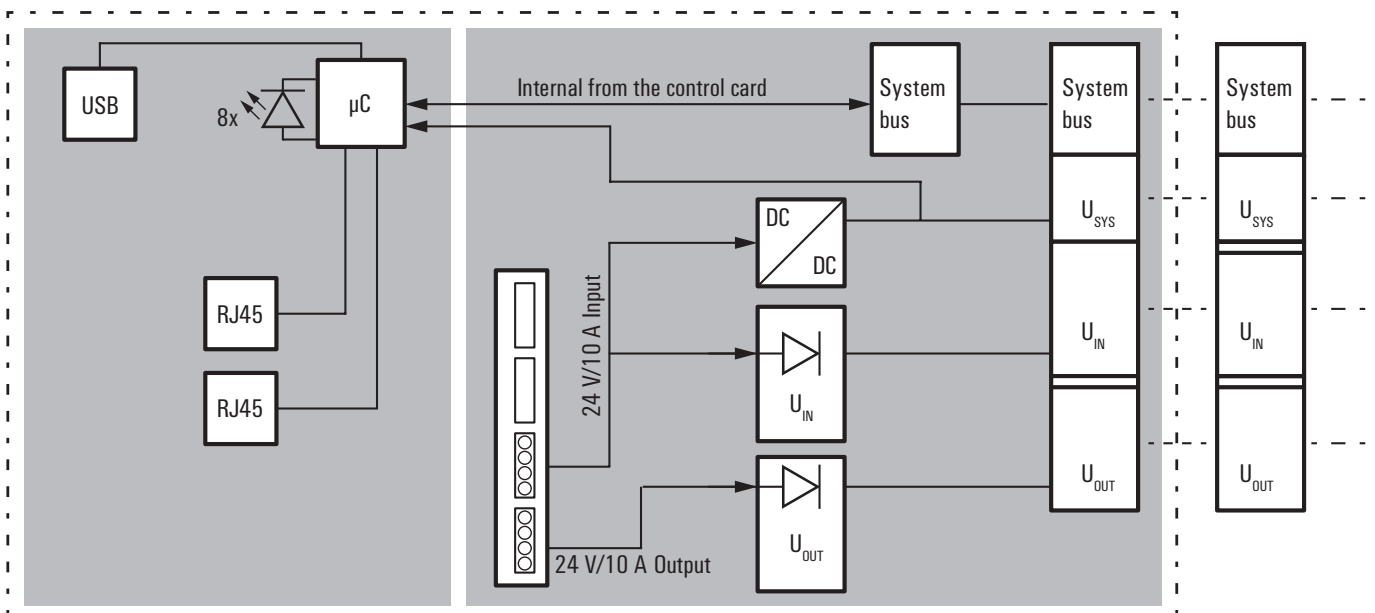
C

The coupler can be activated with a system-independent web server application via the USB service interface or the Ethernet ports. All information, such as diagnoses, status values and parameters, can therefore be read out. All connected inputs can also be simulated or outputs set. The system's initial power supply is already integrated in the coupler. Power is supplied via two 4-pin connectors, separated into the input and output current paths.

The UR20-FBC-EIP-V2 coupler also supports the redundancy protocols Device Level Ring (DLR), Parallel Redundancy Protocol (PRP) and RSTP. VLAN tagging can also be activated.

EtherNet/IP products from Weidmüller fully exploit all the possibilities of the technology standard, e.g. through diagnostic options. In this way, they actively support your application in the most important tasks – from engineering and commissioning to fault diagnosis.

Block diagram Ethernet/IP fieldbus coupler



EtherNet/IP

- 2 x 10 A current path
- Web server
- System supply for 64 I/O modules
- Temperature range: -20... +60 °C

UR20-FBC-EIP



Technical data

System data	
Connection type	2x RJ45 plug-in connectors
Field bus protocol	EtherNet/IP
Process data	988 Byte
Parameter data	4 kByte
Diagnostic data	3008 Byte
max. number of modules	64
Configuration interface	Micro USB 2.0
Transmission rate of field bus, max.	100 Mbit/s
Transmission speed of system bus, max.	48 Mbit/s
Supply	
Supply voltage for inputs	24 V DC +20 %/ -15 %
Supply voltage for outputs	24 V DC +20 %/ -15 %
Feed current for I _{IN} (input current path) , max.	10 A
Feed current for I _{OUT} (output current path) , max.	10 A
Current consumption I _{IN} (power segment of the field bus coupler), typ.	112 mA
General data	
Weight	223 g
Dimensions H x W x D	120 mm / 52 mm / 76 mm
Note	Download of EDS-file on www.weidmueller.com

Ordering data

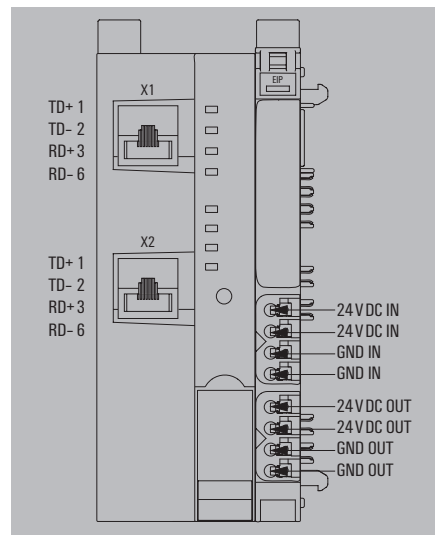
Module variants	
	Field bus coupler, EtherNet/IP
Note	

Accessories

	Termination kit
	Swivel marker
	Connection marker for pusher custom printing
	Connection marker for pusher neutral
	Module marker for custom printing
	Module marker for neutral
	Thermotransfer version (Material: Polyester)
	Thermotransfer version (material: polyester)
	Paper version for Laserprinter
	USB cable (USB A to Micro USB)
Replacement parts	
	Plug-in connector unit
Note	

Type	Qty.	Order No.
UR20-FBC-EIP	1	1334920000
A termination kit (UR20-EBK-ACC) is included in the coupler package		

Type	Qty.	Order No.
UR20-EBK-ACC	5	1346610000
UR20-SM-ACC	20	1339920000
PM 2.7/2.6 MC SDR	192	1323700000
PM 2.7/2.6 MC NE WS	960	1323710000
DEK 5/8-11.5 MC SDR	100	1341610000
DEK 5/8-11.5 MC NE WS	500	1341630000
THM UR20 GE	1	1429910000
THM UR20 WS	1	1429420000
ESD UR20 DIN A4 WS	10	1429430000
IE-USB-A-MICRO-1.8M	1	1487980000
Replacement parts		
UR20-PK-1334920000-SP	5	1541290000
1 roll = 1000 label = 1 Qty. 1 sheet = 60 label = 1 Qty.		



Product standard	IEC 61131-2
EMC	EN IEC 61000
ATEX	EN 60079
UL	UL 61010-2-201
MSIP	MSIP-REM-WMG-1334920000
CCC	available
EAC	available
ABS (American Bureau of Shipping)	available
BSH (Federal Maritime and Hydrographic Agency)	available
BV (Bureau Veritas)	available
DNV (Det Norske Veritas)	available
LR (Lloyd's Register)	available
RINA (Registro Italiano Navale)	available
KR (Korean Register)	available
NK (Nippon Kaiji Kyokai)	available
PRS (Polish Register of Shipping)	available
RMRoS (Russian Maritime Register of Shipping)	available
You can find the latest information online at www.weidmueller.com	



Fieldbus coupler

EtherNet/IP

- 2 x 10 A current path
- Web server
- System supply for 64 I/O modules
- Temperature range: -20... +60 °C
- Redundancy capable via DL/PRP (IEC 62439-6)

UR20-FBC-EIP-V2



Technical data

System data	
Connection type	2x RJ45 plug-in connectors
Field bus protocol	EtherNet/IP
Process data	988 Byte
Parameter data	4 kByte
Diagnostic data	3008 Byte
max. number of modules	64
Configuration interface	Micro USB 2.0
Transmission rate of field bus, max.	100 Mbit/s
Transmission speed of system bus, max.	48 Mbit/s
Supply	
Supply voltage for inputs	24 V DC +20 %/ -15 %
Supply voltage for outputs	24 V DC +20 %/ -15 %
Feed current for I _{IN} (input current path) , max.	10 A
Feed current for I _{OUT} (output current path) , max.	10 A
Current consumption I _{IN} (power segment of the field bus coupler), typ.	100 mA
General data	
Weight	223 g
Dimensions H x W x D	120 mm / 52 mm / 76 mm
Note	
Download of EDS-file on www.weidmueller.com	

Ordering data

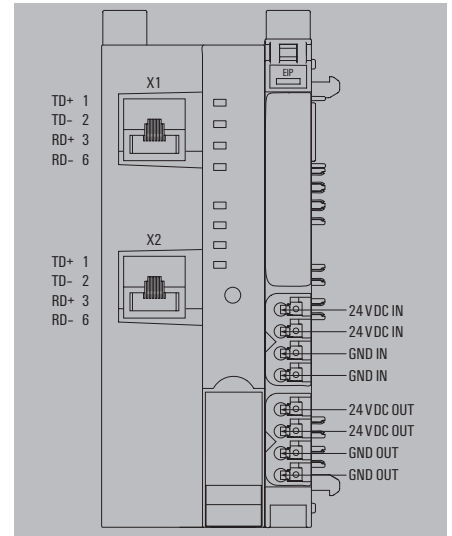
Module variants	
	Field bus coupler, EtherNet/IP
Note	

Accessories

	Termination kit
	Swivel marker
	Connection marker for pusher custom printing
	Connection marker for pusher neutral
	Module marker for custom printing
	Module marker for neutral
	Thermotransfer version (Material: Polyester)
	Thermotransfer version (material: polyester)
	Paper version for Laserprinter
	USB cable (USB A to Micro USB)
Replacement parts	
	Plug-in connector unit
Note	

Type	Qty.	Order No.
UR20-FBC-EIP-V2	1	1550550000
A termination kit (UR20-EBK-ACC) is included in the coupler package		

Type	Qty.	Order No.
UR20-EBK-ACC	5	1346610000
UR20-SM-ACC	20	1339920000
PM 2.7/2.6 MC SDR	192	1323700000
PM 2.7/2.6 MC NE WS	960	1323710000
DEK 5/8-11.5 MC SDR	100	1341610000
DEK 5/8-11.5 MC NE WS	500	1341630000
THM UR20 GE	1	1429910000
THM UR20 WS	1	1429420000
ESD UR20 DIN A4 WS	10	1429430000
IE-USB-A-MICRO-1.8M	1	1487980000
Replacement parts		
UR20-PK-1550550000-SP		2780340000
1 roll = 1000 label = 1 Qty. 1 sheet = 60 label = 1 Qty.		



Product standard	IEC 61131-2
EMC	EN IEC 61000
ATEX	not available
UL	UL 61010-2-201
MSIP	MSIP-REM-WMG-1550550000
CCC	not available
EAC	available
ABS (American Bureau of Shipping)	not available
BSH (Federal Maritime and Hydrographic Agency)	not available
BV (Bureau Veritas)	not available
DNV (Det Norske Veritas)	not available
LR (Lloyd's Register)	not available
RINA (Registro Italiano Navale)	not available
KR (Korean Register)	not available
NK (Nippon Kaiji Kyokai)	not available
PRS (Polish Register of Shipping)	not available
RMRoS (Russian Maritime Register of Shipping)	not available
You can find the latest information online at www.weidmueller.com	

EtherNet/IP fieldbus coupler ECO

Web server tool, two RJ45 Ports, 10/100 Mbit/s

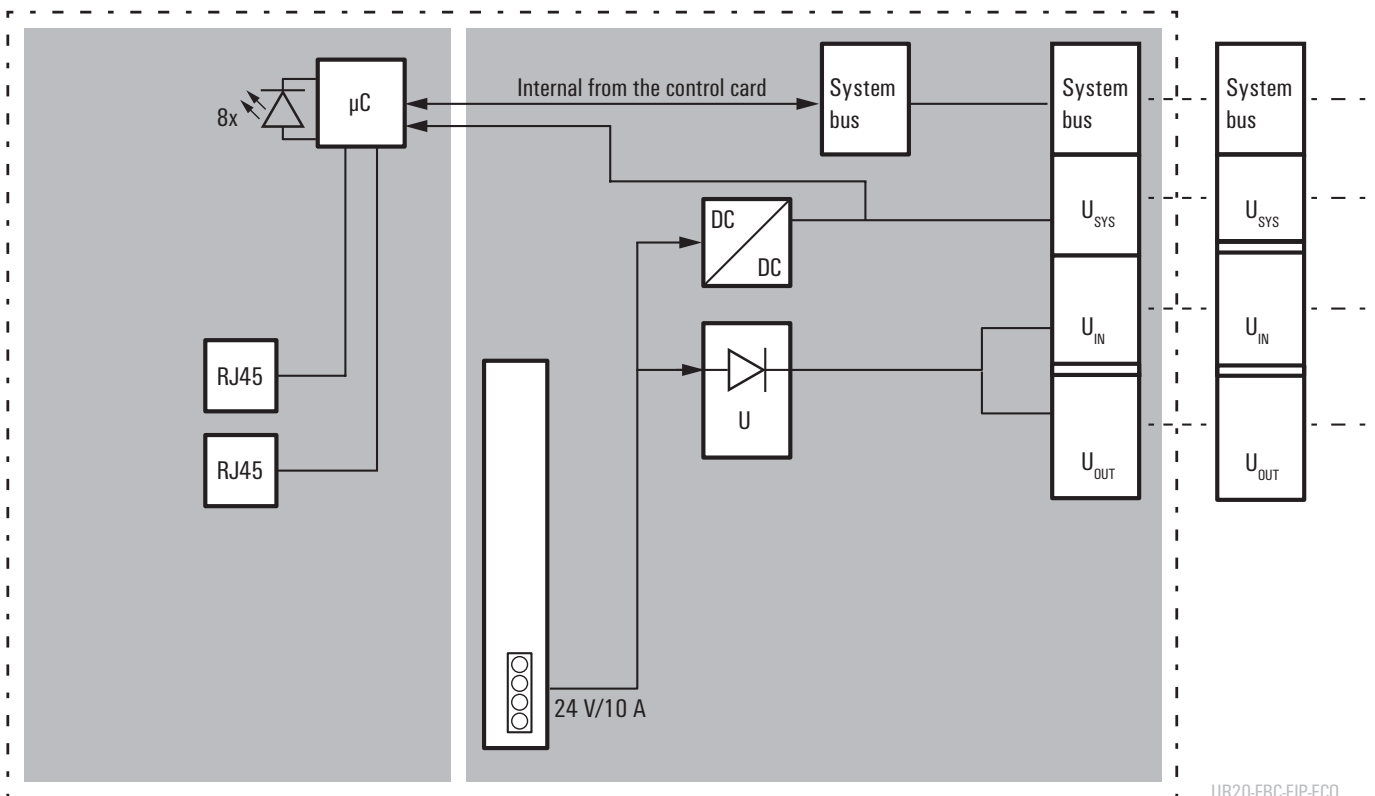
EtherNet/IP™ is a widely used, real-time capable industrial Ethernet fieldbus system. Based on Ethernet technology standards such as TCP and UDP, EtherNet/IP offers not only the transmission of unicast messages between two participants but also the possibility of sending I/O data cyclically to several recipients via multicast. The fieldbus coupler UR20-FBC-EIP-ECO, developed according to IEC 61158, is an EtherNet/IP participant. With options for connecting up to 16 u-remote participants, it serves as the head module for the u-remote system bus.

C

The coupler can be activated with a system-independent web server application via the Ethernet ports. All information, such as diagnoses, status values and parameters, can therefore be read out. All connected inputs can also be simulated or outputs set. The system's initial power supply is already integrated in the coupler.

EtherNet/IP products from Weidmüller fully exploit all the possibilities of the technology standard, e.g. through diagnostic options. In this way, they actively support your application in the most important tasks – from engineering and commissioning to fault diagnosis.

Block diagram Ethernet/IP fieldbus coupler ECO



UR20-FBC-EIP-ECO

EtherNet/IP ECO

- 10 A current paths
- Web server via ethernet
- System supply of 16 I/O modules
- Temperature range 0... +50 °C

UR20-FBC-EIP-ECO



Technical data

System data	
Connection type	2x RJ45 plug-in connectors
Field bus protocol	EtherNet/IP
Process data	988 Byte
Parameter data	1024 Byte
Diagnostic data	752 Byte
max. number of modules	16
Transmission rate of field bus, max.	100 Mbit/s
Transmission speed of system bus, max.	48 Mbit/s
Supply	
Voltage supply	24 V DC +20 %/ -15 %, via the system bus
Feed current for I _{IN} (input current path) , max.	10 A
Current consumption I _N (power segment of the field bus coupler), typ.	61 mA
General data	
Weight	247 g
Dimensions H x W x D	120 mm / 52 mm / 76 mm
Note	
Download of EDS-file on www.weidmueller.com	

Ordering data

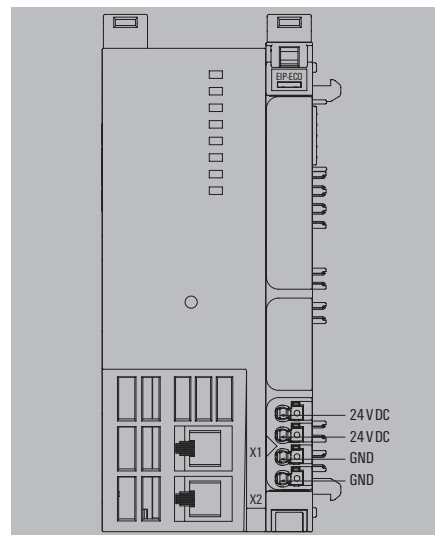
Module variants	
	Field bus coupler, EtherNet/IP
Note	

Type	Qty.	Order No.
UR20-FBC-EIP-ECO	1	2799510000
A termination kit (UR20-EBK-ACC) is included in the coupler package.		

Accessories

Termination kit	UR20-EBK-ACC	5	1346610000
Swivel marker	UR20-SM-ACC	20	1339920000
Connection marker for pusher custom printing	PM 2.7/2.6 MC SDR	192	1323700000
Connection marker for pusher neutral	PM 2.7/2.6 MC NE WS	960	1323710000
Module marker for custom printing	DEK 5/8-11.5 MC SDR	100	1341610000
Module marker for neutral	DEK 5/8-11.5 MC NE WS	500	1341630000
Thermotransfer version (Material: Polyester)	THM UR20 GE	1	1429910000
Thermotransfer version (material: polyester)	THM UR20 WS	1	1429420000
Paper version for Laserprinter	ESO UR20 DIN A4 WS	10	1429430000
Replacement parts			
	UR20-PK-2799510000-SP		2832900000
1 roll = 1000 label = 1 Qty. 1 sheet = 60 label = 1 Qty.			
Note			

Type	Qty.	Order No.
UR20-EBK-ACC	5	1346610000
UR20-SM-ACC	20	1339920000
PM 2.7/2.6 MC SDR	192	1323700000
PM 2.7/2.6 MC NE WS	960	1323710000
DEK 5/8-11.5 MC SDR	100	1341610000
DEK 5/8-11.5 MC NE WS	500	1341630000
THM UR20 GE	1	1429910000
THM UR20 WS	1	1429420000
ESO UR20 DIN A4 WS	10	1429430000
UR20-PK-2799510000-SP		2832900000
1 roll = 1000 label = 1 Qty. 1 sheet = 60 label = 1 Qty.		



Product standard	IEC 61131-2
EMC	EN IEC 61000
ATEX	not available
UL	UL 61010-2-201
MSIP	MSIP-REM-WMG-2799510000
CCC	not available
EAC	available
ABS (American Bureau of Shipping)	not available
BSH (Federal Maritime and Hydrographic Agency)	not available
BV (Bureau Veritas)	not available
DNV (Det Norske Veritas)	not available
LR (Lloyd's Register)	not available
RINA (Registro Italiano Navale)	not available
KR (Korean Register)	not available
NK (Nippon Kaiji Kyokai)	not available
PRS (Polish Register of Shipping)	not available
RMRoS (Russian Maritime Register of Shipping)	not available
You can find the latest information online at www.weidmueller.com	



DeviceNet Fieldbus coupler

Web server tool, PCB plug-in connector

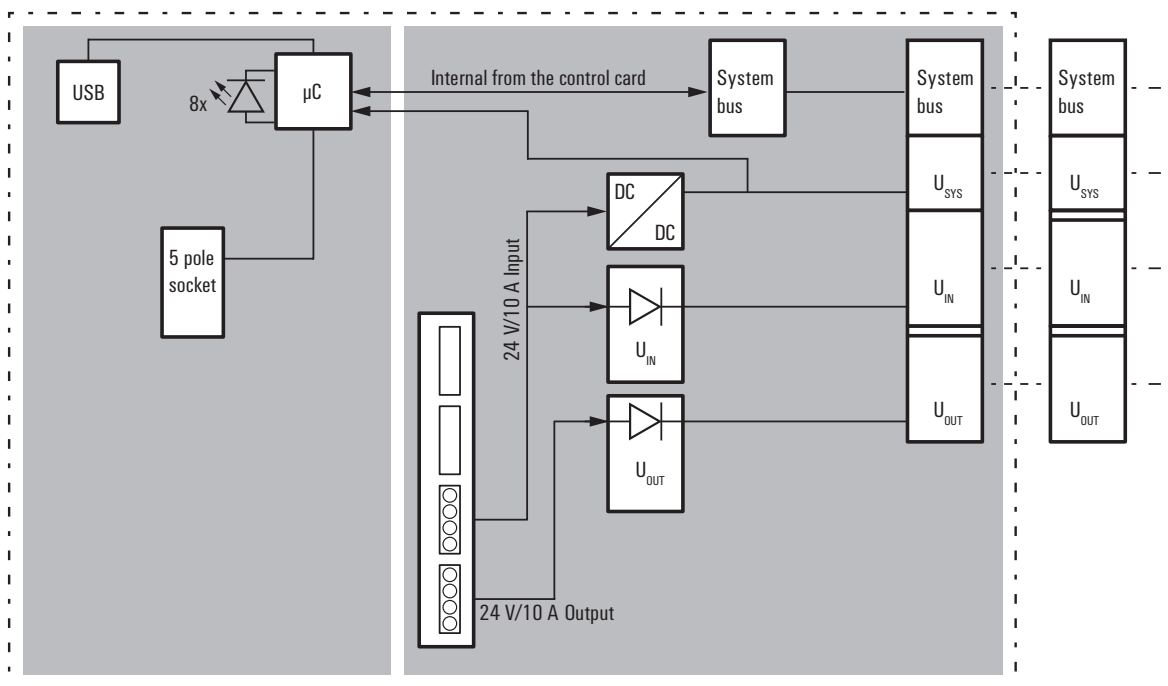
DeviceNet is a serial, CAN-based fieldbus system, which was developed by Allen-Bradley and later on passed as an open standard to the ODVA (Open DeviceNet Vendor Association). Today it is used worldwide in automation technology. Classical can DeviceNet operated with a maximum of 64 network nodes per fieldbus segment. The fieldbus coupler UR20-FBC-DN is connected via a 5-pin PCB connector to the network. With options for connecting up to 64 u-remote participants, it serves as the head module for the u-remote system bus.

C

The coupler can be activated with a system-independent web server application via the USB service interface. All information, such as diagnoses, status values and parameters, can therefore be read out. All connected inputs can also be simulated or outputs set. The initial system power supply is already integrated in the field bus coupler. Power is supplied via two 4-pin connectors, separated into the input and output current paths.

Since the DeviceNet products from Weidmüller make full use of all the latest technological possibilities, such as diagnosis options, they actively support your application in the most important tasks – from engineering and commissioning to fault diagnosis.

Block diagram DeviceNet fieldbus coupler



DeviceNet

- 2 x 10 A current path
- Web server
- System supply for 64 I/O modules
- Temperature range: -20... +60 °C

UR20-FBC-DN



Technical data

System data	
Connection type	Socket for 5-pole PCB plug-in connector
Field bus protocol	DeviceNet
Process data	1008 Byte
Parameter data	4 kByte
Diagnostic data	3008 Byte
max. number of modules	64
Configuration interface	Micro USB 2.0
Transmission rate of field bus, max.	500 kbit/s
Transmission speed of system bus, max.	48 Mbit/s
Supply	
Supply voltage for inputs	24 V DC +20 % / -15 %
Supply voltage for outputs	24 V DC +20 % / -15 %
Feed current for I _{IN} (input current path) , max.	10 A
Feed current for I _{OUT} (output current path) , max.	10 A
Current consumption I _{IN} (power segment of the field bus coupler), typ.	75 mA (+15 mA from DeviceNet supply)
General data	
Weight	220 g
Dimensions H x W x D	120 mm / 52 mm / 76 mm
Note	
Download of EDS-file on www.weidmueller.com	

Type	Qty.	Order No.
UR20-FBC-DN	1	1334900000
A termination kit (UR20-EBK-ACC) is included in the coupler package		

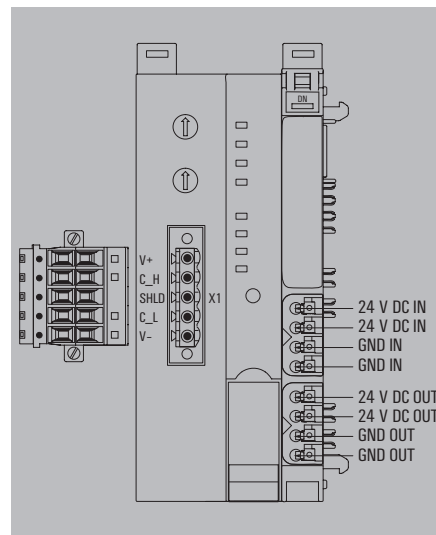
Ordering data

Module variants	
	Field bus coupler, DeviceNet
Note	

Accessories

Termination kit	UR20-EBK-ACC	5	1346610000	
Swivel marker	UR20-SM-ACC	20	1339920000	
Connection marker for pusher custom printing	PM 2.7/2.6 MC SDR	192	1323700000	
Connection marker for pusher neutral	PM 2.7/2.6 MC NE WS	960	1323710000	
Module marker for custom printing	DEK 5/8-11.5 MC SDR	100	1341610000	
Module marker for neutral	DEK 5/8-11.5 MC NE WS	500	1341630000	
Thermotransfer version (Material: Polyester)	THM UR20 GE	1	1429910000	
Thermotransfer version (material: polyester)	THM UR20 WS	1	1429420000	
Paper version for Laserprinter	ESD UR20 DIN A4 WS	10	1429430000	
USB cable (USB A to Micro USB)	IE-USB-A-MICRO-1.8M	1	1487980000	
PCB plug-in connector, socket plug, 5 pole, 10 pin	BLDZ DN5.08/05/180F GY BX PRT	50	1919990000	
PCB plug-in connector, socket plug, 5 pole, 5 pin	BLZ DN 5.08/05/180F AU GY BX PRT	50	1933550000	
Replacement parts				
	Plug-in connector unit	UR20-PK-1334900000-SP	5	2003540000
Note		1 roll = 1000 label = 1 Qty. 1 sheet = 60 label = 1 Qty.		

Type	Qty.	Order No.
UR20-FBC-DN	1	1334900000
A termination kit (UR20-EBK-ACC) is included in the coupler package		



Product standard	IEC 61131-2
EMC	EN IEC 61000
ATEX	EN 60079
UL	UL 61010-2-201
MSIP	MSIP-REM-WMG-1334900000
CCC	available
EAC	available
ABS (American Bureau of Shipping)	not available
BSH (Federal Maritime and Hydrographic Agency)	available
BV (Bureau Veritas)	not available
DNV (Det Norske Veritas)	not available
LR (Lloyd's Register)	not available
RINA (Registro Italiano Navale)	not available
KR (Korean Register)	not available
NK (Nippon Kaiji Kyokai)	not available
PRS (Polish Register of Shipping)	not available
RMRoS (Russian Maritime Register of Shipping)	not available
You can find the latest information online at www.weidmueller.com	





CAN field bus coupler

Web server tool; Sub-D connection

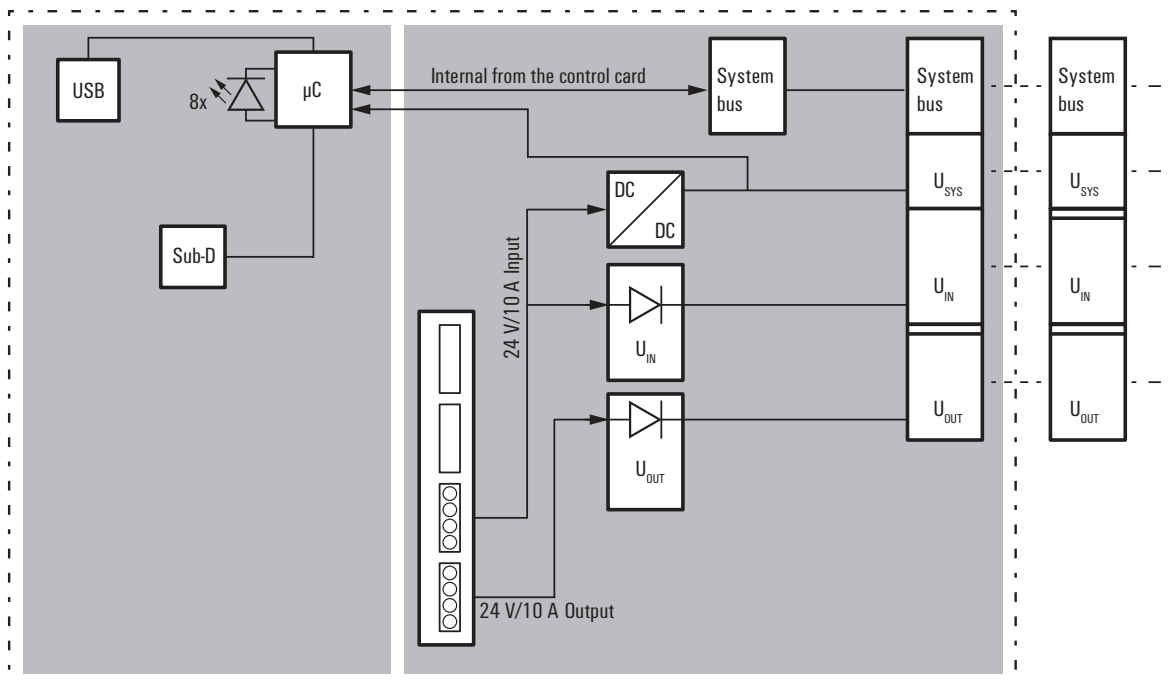
C

The CAN bus (Controller Area Network) is a serial fieldbus, which was introduced in 1983 by Bosch and Intel. Due to the good characteristics it is particularly suitable for applications where high data security is required. The fieldbus coupler UR20-FBC-CAN uses the CAN based Layer 7 communication protocol CANopen, the device profile CiA DS401 for digital and analog I/O modules is supported. With options for connecting up to 64 u-remote participants, it serves as the head module for the u-remote system bus.

The coupler can be activated with a system-independent web server application via the USB service interface. All information, such as diagnoses, status values and parameters, can therefore be read out. All connected inputs can also be simulated or outputs set. The initial system power supply is already integrated in the field bus coupler. Power is supplied via two 4-pin connectors, separated into the input and output current paths.

Since the CANopen products from Weidmüller make full use of all the latest technological possibilities, such as diagnosis options, they actively support your application in the most important tasks – from engineering and commissioning to fault diagnosis.

Block diagram CANopen fieldbus coupler



CANopen

- 2 x 10 A current path
- Web server
- System supply for 64 I/O modules
- Temperature range: -20... +60 °C

UR20-FBC-CAN



Technical data

System data	
Connection type	SUB-D9 (male plug)
Field bus protocol	CANopen
Process data	488 Byte
Parameter data	244 Byte
Diagnostic data	244 Byte
max. number of modules	64
Configuration interface	Micro USB 2.0
Transmission rate of field bus, max.	1 Mbit/s
Transmission speed of system bus, max.	48 Mbit/s
Supply	
Supply voltage for inputs	24 V DC +20 %/ -15 %
Supply voltage for outputs	24 V DC +20 %/ -15 %
Feed current for I _{IN} (input current path) , max.	10 A
Feed current for I _{OUT} (output current path) , max.	10 A
Current consumption I _{IN} (power segment of the field bus coupler), typ.	90 mA
General data	
Weight	220 g
Dimensions H x W x D	120 mm / 52 mm / 76 mm
Note	
Download of EDS-file on www.weidmueller.com	

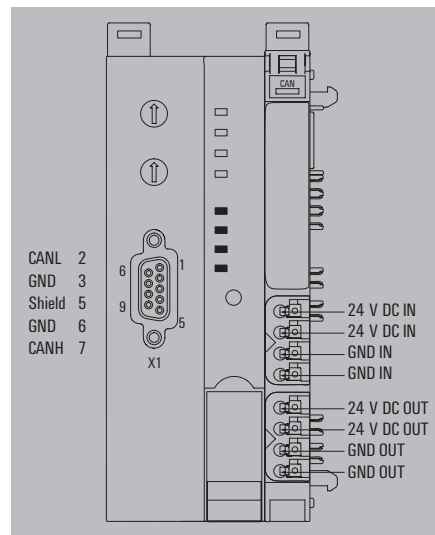
Ordering data

Module variants	
	Field bus coupler, CANopen
Note	
A termination kit (UR20-EBK-ACC) is included in the coupler package	

Accessories

	Termination kit
	Swivel marker
Connection marker for pusher custom printing	
Connection marker for pusher neutral	
Module marker for custom printing	
Module marker for neutral	
Thermotransfer version (Material: Polyester)	
Thermotransfer version (material: polyester)	
Paper version for Laserprinter	
USB cable (USB A to Micro USB)	
Replacement parts	
	Plug-in connector unit
Note	

Type	Qty.	Order No.
UR20-FBC-CAN	1	1334890000
Type		
UR20-EBK-ACC	5	1346610000
UR20-SM-ACC	20	1339920000
PM 2.7/2.6 MC SDR	192	1323700000
PM 2.7/2.6 MC NE WS	960	1323710000
DEK 5/8-11.5 MC SDR	100	1341610000
DEK 5/8-11.5 MC NE WS	500	1341630000
THM UR20 GE	1	1429910000
THM UR20 WS	1	1429420000
ESD UR20 DIN A4 WS	10	1429430000
IE-USB-A-MICRO-1.8M	1	1487980000
Type		
UR20-PK-1334890000-SP	5	2003530000
1 roll = 1000 label = 1 Qty. 1 sheet = 60 label = 1 Qty.		



Product standard	IEC 61131-2
EMC	EN IEC 61000
ATEX	EN 60079
UL	UL 61010-2-201
MSIP	MSIP-REM-WMG-1334890000
CCC	available
EAC	available
ABS (American Bureau of Shipping)	available
BSH (Federal Maritime and Hydrographic Agency)	available
BV (Bureau Veritas)	available
DNV (Det Norske Veritas)	available
LR (Lloyd's Register)	available
RINA (Registro Italiano Navale)	available
KR (Korean Register)	available
NK (Nippon Kaiji Kyokai)	available
PRS (Polish Register of Shipping)	available
RMRoS (Russian Maritime Register of Shipping)	available
You can find the latest information online at www.weidmueller.com	



POWERLINK fieldbus coupler

Web server tool, two RJ45 Ports, 100 Mbit/s



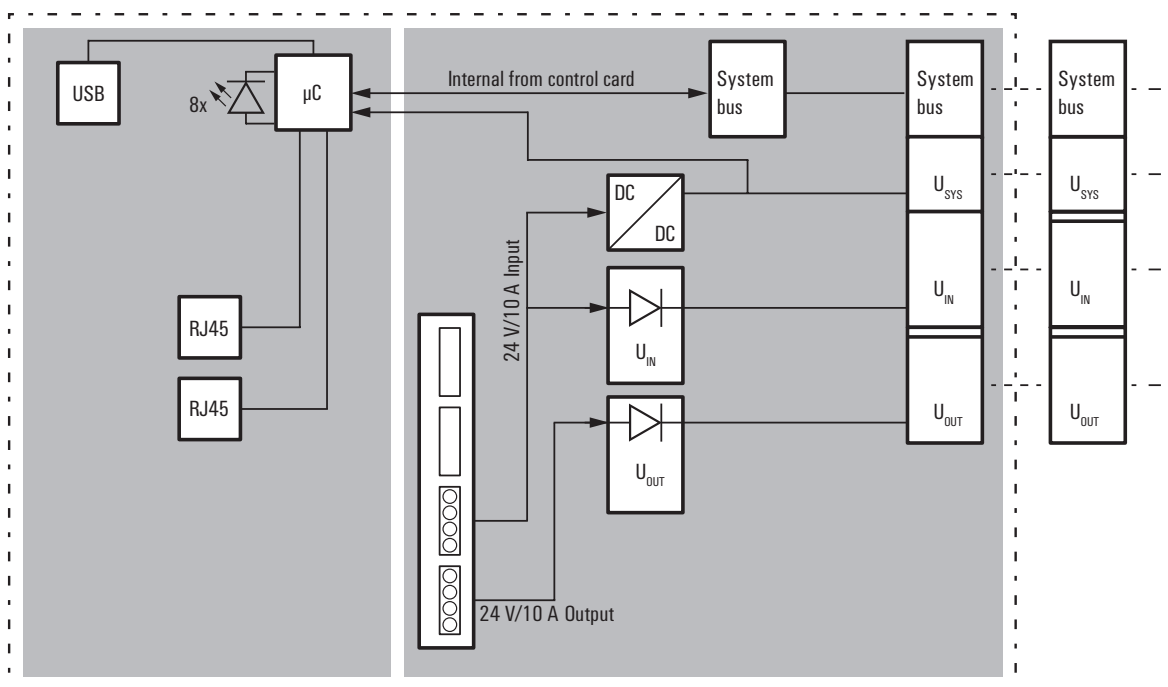
C

The POWERLINK fieldbus coupler supports the Industrial Ethernet standard. An integrated web server enables system diagnostics even before the controller is connected. The UR20-FBC-PL fieldbus coupler is a Ethernet POWERLINK Standardization Group (EPSG)-certified Ethernet POWERLINK device. It is the head module for the u-remote system bus, to which up to 64 active u-remote modules can be connected. The POWERLINK coupler has two Ethernet connections, the integrated hub has a supports a line network structure.

The coupler can be activated with a system-independent web server application via the USB service interface or the Ethernet ports. All information, such as diagnoses, status values and parameters, can therefore be read out. All connected inputs can also be simulated or outputs set. The initial system power supply is already integrated in the field bus coupler. Power is supplied via two 4-pin connectors, separated into the input and output current paths.

Since the POWERLINK products from Weidmüller make full use of all the latest technological possibilities, such as XDD files and diagnosis messages, they actively support your application in the most important tasks – from engineering and commissioning to fault diagnosis.

Block diagram POWERLINK fieldbus Coupler



POWERLINK

- 2 x 10 A current path
- Address can be set using rotary switch
- Web server
- System supply for 64 I/O modules
- Temperature range: -20... +60 °C

UR20-FBC-PL



Technical data

System data	
Connection type	2x RJ45 plug-in connectors
Field bus protocol	POWERLINK
Process data	2980 Byte
Parameter data	4 kByte
Diagnostic data	3008 Byte
max. number of modules	64
Configuration interface	Micro USB 2.0
Transmission rate of field bus, max.	100 Mbit/s
Transmission speed of system bus, max.	48 Mbit/s
Supply	
Supply voltage for inputs	24 V DC +20 %/ -15 %
Supply voltage for outputs	24 V DC +20 %/ -15 %
Feed current for I _{IN} (input current path) , max.	10 A
Feed current for I _{OUT} (output current path) , max.	10 A
Current consumption I _{IN} (power segment of the field bus coupler), typ.	100 mA
General data	
Weight	224 g
Dimensions H x W x D	120 mm / 52 mm / 76 mm
Note	
Download of XDD-files on www.weidmuller.com	

Type	Qty.	Order No.
UR20-FBC-PL	1	1334940000
A termination kit (UR20-EBK-ACC) is included in the coupler package		

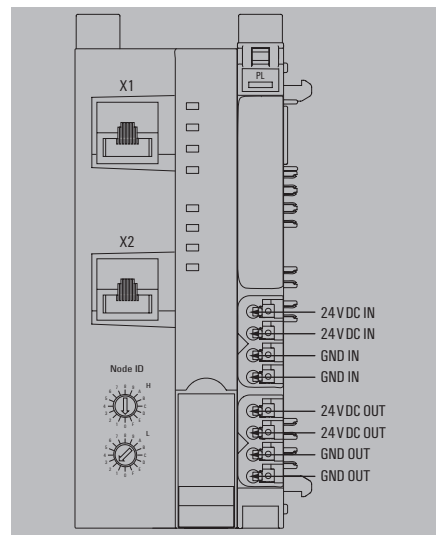
Ordering data

Module variants	
	Field bus coupler, POWERLINK
Note	

Accessories

	Termination kit
	Swivel marker
Connection marker for pusher custom printing	
Connection marker for pusher neutral	
Module marker for custom printing	
Module marker for neutral	
Thermotransfer version (Material: Polyester)	
Thermotransfer version (material: polyester)	
Paper version for Laserprinter	
USB cable (USB A to Micro USB)	
Replacement parts	
	Plug-in connector unit
Note	

Type	Qty.	Order No.
UR20-EBK-ACC	5	1346610000
UR20-SM-ACC	20	1339920000
PM 2.7/2.6 MC SDR	192	1323700000
PM 2.7/2.6 MC NE WS	960	1323710000
DEK 5/8-11.5 MC SDR	100	1341610000
DEK 5/8-11.5 MC NE WS	500	1341630000
THM UR20 GE	1	1429910000
THM UR20 WS	1	1429420000
ESD UR20 DIN A4 WS	10	1429430000
IE-USB-A-MICRO-1.8M	1	1487980000
Replacement parts		
UR20-PK-1334940000-SP	5	2425170000
1 roll = 1000 label = 1 Qty. 1 sheet = 60 label = 1 Qty.		



Product standard	IEC 61131-2
EMC	EN IEC 61000
ATEX	EN 60079
UL	UL 61010-2-201
MSIP	MSIP-REM-WMG-1334940000
CCC	available
EAC	available
ABS (American Bureau of Shipping)	available
BSH (Federal Maritime and Hydrographic Agency)	available
BV (Bureau Veritas)	available
DNV (Det Norske Veritas)	available
LR (Lloyd's Register)	available
RINA (Registro Italiano Navale)	available
KR (Korean Register)	available
NK (Nippon Kaiji Kyokai)	available
PRS (Polish Register of Shipping)	available
RMRoS (Russian Maritime Register of Shipping)	available
You can find the latest information online at www.weidmuller.com	



CC-Link V2 fieldbus coupler

Web server tool,
PCB plug-in connector, 10 Mbit/s



CC-Link V2 is an industrial network for automation that can transmit both control data and information at high speed, ensuring efficient, integrated system or process automation.

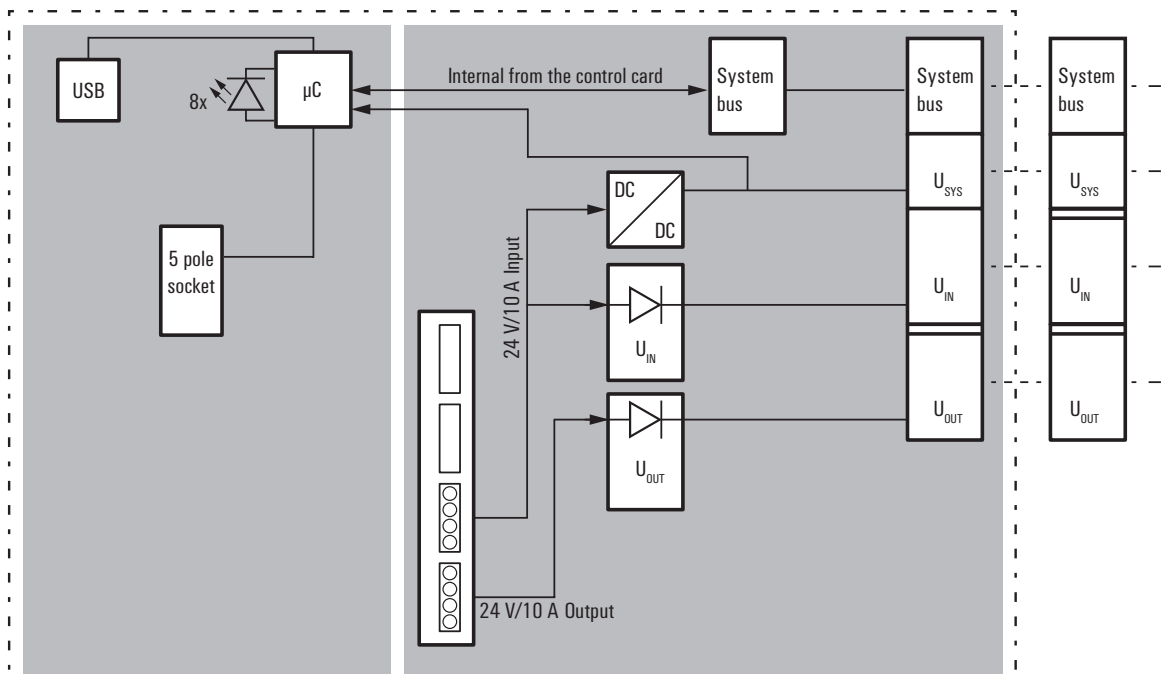
With options for connecting up to 64 u-remote participants, it serves as the head module for the u-remote system bus. The fieldbus coupler has a 5-pole PCB connector with integrated switch for implementing a line network structure.

C

The coupler can be activated with a system-independent web server application via the USB service interface. All information, such as diagnoses, status values and parameters, can therefore be read out. All connected inputs can also be simulated or outputs set. The initial system power supply is already integrated in the fieldbus coupler. Power is supplied via two 4-pin connectors, separated into the input and output current paths.

CC-Link products from Weidmüller fully exploit all the possibilities of the technology standard, e.g. the use of CSP files. In this way, they actively support your application in the most important tasks – from engineering and commissioning to fault diagnosis.

Block diagram CC-Link V2 fieldbus coupler



CC-Link V2

- 2 x 10 A current paths
- Web server
- CC-Link capable
- System supply of 64 I/O modules
- Temperature range -20... +60 °C

UR20-FBC-CC



Technical data

System data	
Connection type	Socket for 5-pole PCB plug-in connector
Field bus protocol	CC-Link
Process data	512 Byte
Parameter data	4 kByte
Diagnostic data	3008 Byte
max. number of modules	64
Configuration interface	Micro USB 2.0
Transmission rate of field bus, max.	10 Mbit/s
Transmission speed of system bus, max.	48 Mbit/s
Supply	
Supply voltage for inputs	24 V DC +20 %/ -15 %
Supply voltage for outputs	24 V DC +20 %/ -15 %
Feed current for I _{IN} (input current path) , max.	10 A
Feed current for I _{OUT} (output current path) , max.	10 A
Current consumption I _{IN} (power segment of the field bus coupler), typ.	85 mA
General data	
Weight	320 g
Dimensions H x W x D	120 mm / 52 mm / 76 mm
Note	
Download of CSP-file on www.weidmueller.com	

Ordering data

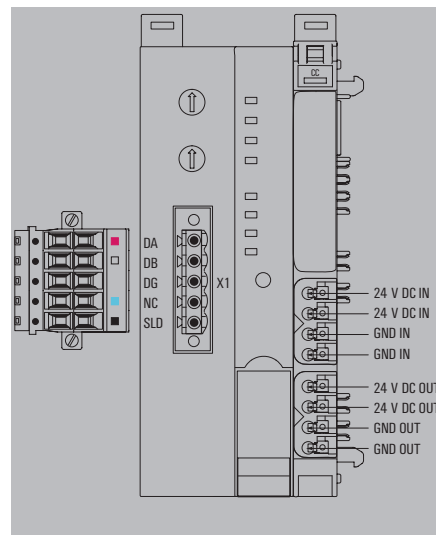
Module variants	
	Field bus coupler, CC-Link
Note	

Accessories

Termination kit	UR20-EBK-ACC	5	1346610000	
Swivel marker	UR20-SM-ACC	20	1339920000	
Connection marker for pusher custom printing	PM 2.7/2.6 MC SDR	192	1323700000	
Connection marker for pusher neutral	PM 2.7/2.6 MC NE WS	960	1323710000	
Module marker for custom printing	DEK 5/8-11.5 MC SDR	100	1341610000	
Module marker for neutral	DEK 5/8-11.5 MC NE WS	500	1341630000	
Thermotransfer version (Material: Polyester)	THM UR20 GE	1	1429910000	
Thermotransfer version (material: polyester)	THM UR20 WS	1	1429420000	
Paper version for Laserprinter	ESD UR20 DIN A4 WS	10	1429430000	
USB cable (USB A to Micro USB)	IE-USB-A-MICRO-1.8M	1	1487980000	
Replacement parts				
	Plug-in connector unit		UR20-PK-2625010000-SP	2625060000
Note				
1 roll = 1000 label = 1 Qty. 1 sheet = 60 label = 1 Qty.				

Type	Qty.	Order No.
UR20-FBC-CC	1	2625010000
A termination kit (UR20-EBK-ACC) is included in the coupler package.		

Type	Qty.	Order No.
UR20-EBK-ACC	5	1346610000
UR20-SM-ACC	20	1339920000
PM 2.7/2.6 MC SDR	192	1323700000
PM 2.7/2.6 MC NE WS	960	1323710000
DEK 5/8-11.5 MC SDR	100	1341610000
DEK 5/8-11.5 MC NE WS	500	1341630000
THM UR20 GE	1	1429910000
THM UR20 WS	1	1429420000
ESD UR20 DIN A4 WS	10	1429430000
IE-USB-A-MICRO-1.8M	1	1487980000
UR20-PK-2625010000-SP		2625060000
1 roll = 1000 label = 1 Qty. 1 sheet = 60 label = 1 Qty.		



Product standard	IEC 61131-2
EMC	EN IEC 61000
ATEX	EN 60079
UL	UL 61010-2-201
MSIP	MSIP-REM-WMG-2625010000
CCC	available
EAC	available
ABS (American Bureau of Shipping)	available
BSH (Federal Maritime and Hydrographic Agency)	available
BV (Bureau Veritas)	available
DNV (Det Norske Veritas)	available
LR (Lloyd's Register)	available
RINA (Registro Italiano Navale)	available
KR (Korean Register)	not available
NK (Nippon Kaiji Kyokai)	not available
PRS (Polish Register of Shipping)	not available
RMRoS (Russian Maritime Register of Shipping)	not available
You can find the latest information online at www.weidmueller.com	



CC-Link IE TSN fieldbus coupler

Web server tool, two RJ45 Ports, 1 Gbit/s



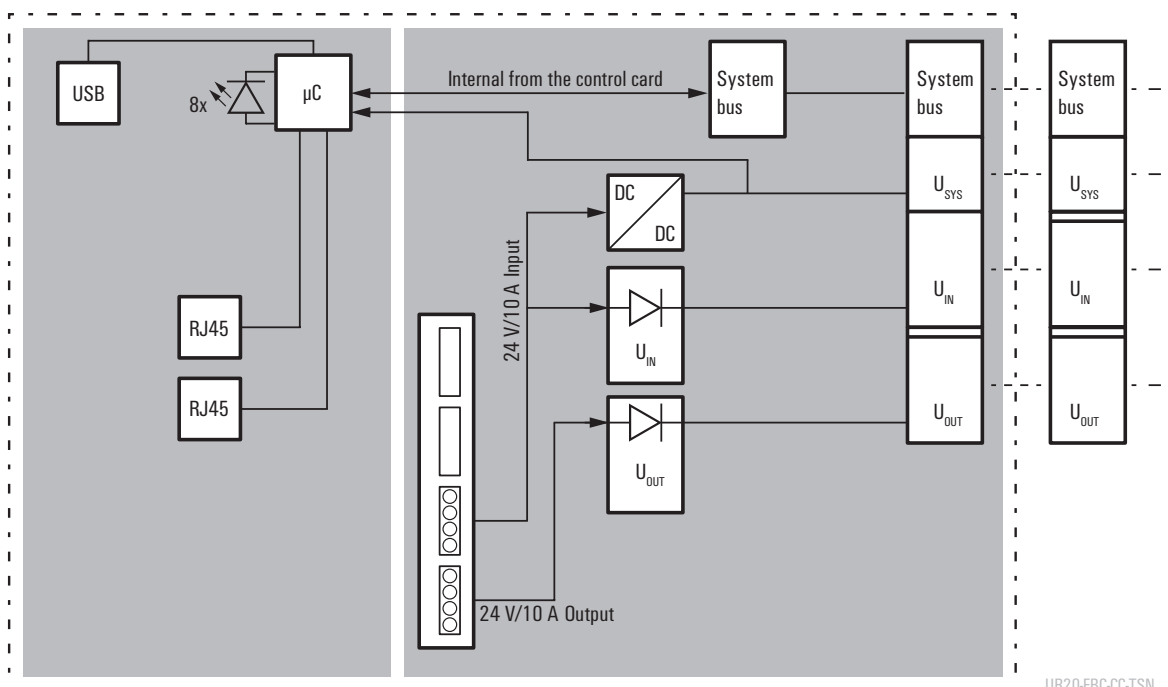
CC-Link IE TSN combines gigabit bandwidth with Time-Sensitive Networking (TSN) standards as an open industrial Ethernet. CC-Link IE TSN is a key technology for the convergence of operational technology (OT) and information technology (IT). It can connect up to 64 u-remote participants and two Ethernet ports with integrated switch to implement a line network structure.

C

The coupler can be activated with a system-independent web server application via the USB service interface or the Ethernet ports. All information, such as diagnoses, status values and parameters, can therefore be read out. All connected inputs can also be simulated or outputs set. The system's initial power supply is already integrated in the fieldbus coupler. Power is supplied via two 4-pin connectors, separated into the input and output current paths.

CC-Link IE TSN products from Weidmüller fully exploit all the possibilities of the technology standard, e.g. using a CSP file and diagnostic messages. In this way, they actively support your application in the most important tasks – from engineering and commissioning to fault diagnosis.

Block diagram CC-Link IE TSN fieldbus coupler



CC-Link IE TSN

- 2 x 10 A current paths
- Web server
- CC-Link TSN capable
- System supply of 64 I/O modules
- Temperature range -20... +60 °C

UR20-FBC-CC-TSN



Technical data

System data	
Connection type	2x RJ45 plug-in connectors
Field bus protocol	CC-Link IE TSN
Process data	1024 Byte
Parameter data	4 kByte
Diagnostic data	3008 Byte
max. number of modules	64
Configuration interface	Micro USB 2.0
Transmission rate of field bus, max.	1 Gbit/s
Transmission speed of system bus, max.	48 Mbit/s
Supply	
Supply voltage for inputs	24 V DC +20 %/ -15 %
Supply voltage for outputs	24 V DC +20 %/ -15 %
Feed current for I _{IN} (input current path) , max.	10 A
Feed current for I _{OUT} (output current path) , max.	10 A
Current consumption I _{IN} (power segment of the field bus coupler), typ.	140 mA
General data	
Weight	210 g
Dimensions H x W x D	120 mm / 52 mm / 76 mm
Note	
Download of CSP-file on www.weidmueller.com	

Ordering data

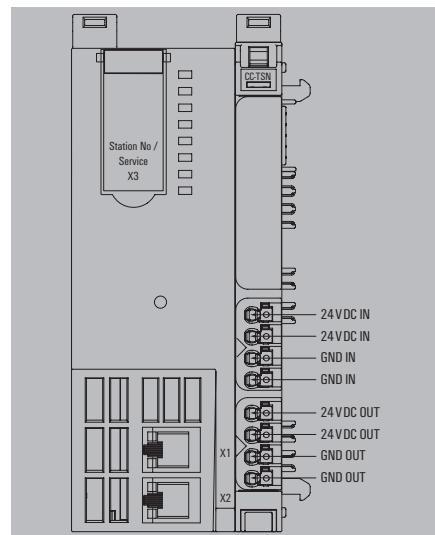
Module variants	
	Field bus coupler, CC-Link IE TSN
Note	

Accessories

	Termination kit
	Swivel marker
	Connection marker for pusher custom printing
	Connection marker for pusher neutral
	Module marker for custom printing
	Module marker for neutral
	Thermotransfer version (Material: Polyester)
	Thermotransfer version (material: polyester)
	Paper version for Laserprinter
	USB cable (USB A to Micro USB)
Replacement parts	
	Plug-in connector unit
Note	

Type	Qty.	Order No.
UR20-FBC-CC-TSN	1	2680260000
A termination kit (UR20-EBK-ACC) is included in the coupler package.		

Type	Qty.	Order No.
UR20-EBK-ACC	5	1346610000
UR20-SM-ACC	20	1339920000
PM 2.7/2.6 MC SDR	192	1323700000
PM 2.7/2.6 MC NE WS	960	1323710000
DEK 5/8-11.5 MC SDR	100	1341610000
DEK 5/8-11.5 MC NE WS	500	1341630000
THM UR20 GE	1	1429910000
THM UR20 WS	1	1429420000
ESD UR20 DIN A4 WS	10	1429430000
IE-USB-A-MICRO-1.8M	1	1487980000
UR20-PK-2680260000-SP		
1 roll = 1000 label = 1 Qty.		
1 sheet = 60 label = 1 Qty.		



Product standard	IEC 61131-2
EMC	EN IEC 61000
ATEX	EN 60079
UL	UL 61010-2-201
MSIP	MSIP-REM-WMG-2680260000
CCC	not available
EAC	available
ABS (American Bureau of Shipping)	available
BSH (Federal Maritime and Hydrographic Agency)	available
BV (Bureau Veritas)	available
DNV (Det Norske Veritas)	available
LR (Lloyd's Register)	available
RINA (Registro Italiano Navale)	available
KR (Korean Register)	not available
NK (Nippon Kaiji Kyokai)	not available
PRS (Polish Register of Shipping)	not available
RMRoS (Russian Maritime Register of Shipping)	not available
You can find the latest information online at www.weidmueller.com	



IEC 61162-450 fieldbus coupler

Web server tool,
two RJ45 Ports, 100 Mbit/s

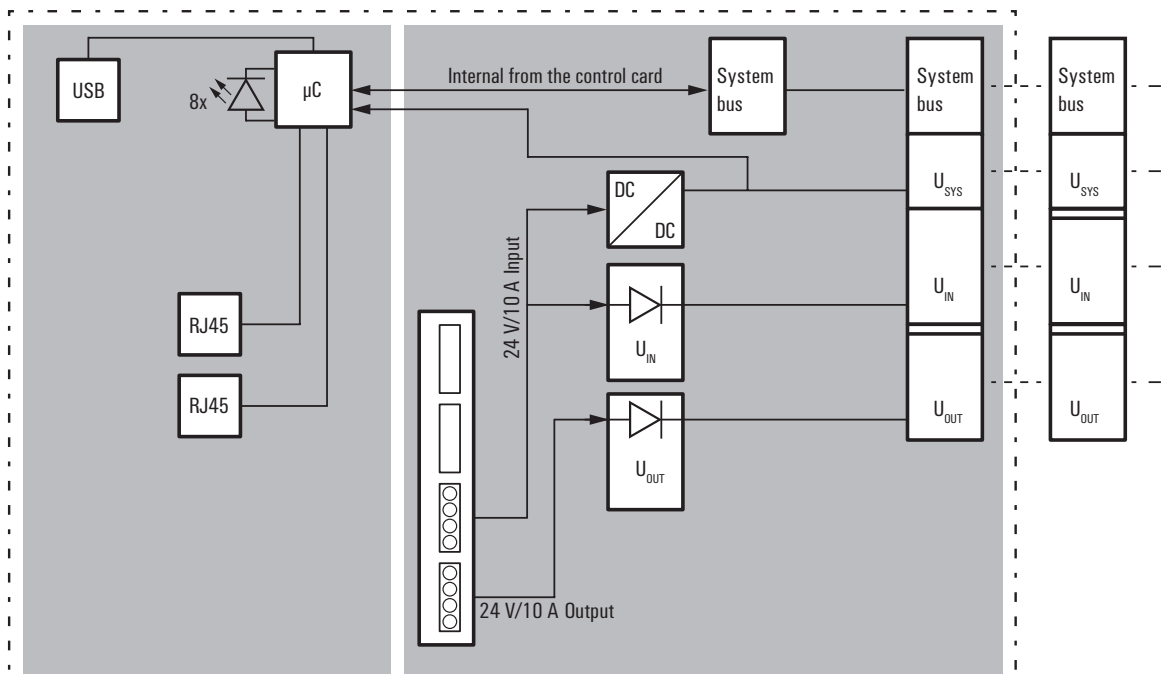
IEC 61162-450

IEC 61162-450 specifies physical interface requirements as well as protocols and data formats for high-speed communication on ships, such as for wireless or navigation equipment and other ship systems. The fieldbus coupler can connect up to 64 u-remote participants and two Ethernet ports with integrated switch to implement a line network structure.

C

The coupler can be activated with a system-independent web server application via the USB service interface or the Ethernet ports. All information, such as diagnoses, status values and parameters, can therefore be read out. All connected inputs can also be simulated or outputs set. The system's initial power supply is already integrated in the fieldbus coupler. Power is supplied via two 4-pin connectors, separated into the input and output current paths.

Block diagram IEC 61162-450 fieldbus coupler



IEC 61162-450

- 2 x 10 A current paths
- Web server
- SNGF device according IEC 61162-450
- System supply of 64 I/O modules
- Temperature range -20... +60 °C

UR20-FBC-IEC61162-450



Technical data

System data	
Connection type	2x RJ45 plug-in connectors
Field bus protocol	IEC 61162-450
max. number of modules	64
Configuration interface	Micro USB 2.0
Transmission rate of field bus, max.	100 Mbit/s
Transmission speed of system bus, max.	48 Mbit/s
Supply	
Supply voltage for inputs	24 V DC +20 %/ -15 %
Supply voltage for outputs	24 V DC +20 %/ -15 %
Feed current for I _{in} (input current path) , max.	10 A
Feed current for I _{out} (output current path) , max.	10 A
Current consumption I _m (power segment of the field bus coupler), typ.	112 mA
General data	
Weight	314 g
Dimensions H x W x D	120 mm / 52 mm / 76 mm
Note	

Type	Qty.	Order No.
UR20-FBC-IEC61162-450	1	2661310000
A termination kit (UR20-EBK-ACC) is included in the coupler package.		

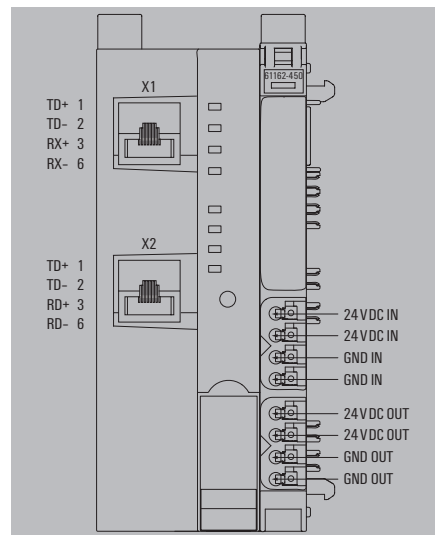
Ordering data

Module variants	
	Field bus coupler, IEC 61162-450
Note	

Accessories

Termination kit	UR20-EBK-ACC	5	1346610000
Swivel marker	UR20-SM-ACC	20	1339920000
Connection marker for pusher custom printing	PM 2.7/2.6 MC SDR	192	1323700000
Connection marker for pusher neutral	PM 2.7/2.6 MC NE WS	960	1323710000
Module marker for custom printing	DEK 5/8-11.5 MC SDR	100	1341610000
Module marker for neutral	DEK 5/8-11.5 MC NE WS	500	1341630000
Thermotransfer version (Material: Polyester)	THM UR20 GE	1	1429910000
Thermotransfer version (material: polyester)	THM UR20 WS	1	1429420000
Paper version for Laserprinter	ESO UR20 DIN A4 WS	10	1429430000
USB cable (USB A to Micro USB)	IE-USB-A-MICRO-1.8M	1	1487980000
Replacement parts			
Plug-in connector unit	UR20-PK-2661310000-SP	5	2680540000
Note			
1 roll = 1000 label = 1 Qty. 1 sheet = 60 label = 1 Qty.			

Type	Qty.	Order No.
UR20-FBC-IEC61162-450	1	2661310000
A termination kit (UR20-EBK-ACC) is included in the coupler package.		



Product standard	IEC 61131-2
EMC	EN IEC 61000
ATEX	not available
UL	UL 61010-2-201
MSIP	MSIP-REM-WMG-2661310000
CCC	not available
EAC	available
ABS (American Bureau of Shipping)	available
BSH (Federal Maritime and Hydrographic Agency)	not available
BV (Bureau Veritas)	available
DNV (Det Norske Veritas)	available
LR (Lloyd's Register)	available
RINA (Registro Italiano Navale)	available
KR (Korean Register)	not available
NK (Nippon Kaiji Kyokai)	not available
PRS (Polish Register of Shipping)	not available
RMRoS (Russian Maritime Register of Shipping)	not available
You can find the latest information online at www.weidmuller.com	



Digital input modules

P- or N-switching, Reverse polarity protection, up to 3-wire+FE

Digital input modules from Weidmüller are available in different versions and are used primarily to receive binary control signals from sensors, transmitters, switches or proximity switches. Thanks to their flexible design, they will satisfy your need for well coordinated project planning with reserve potential.

All modules are available with 4, 8 or 16 inputs and comply fully with IEC 61131-2. The digital input modules are available as P- or N-switching variant. The digital inputs are for Type 1 and Type 3 sensors in accordance with the standard. With a maximum input frequency of up to 1 kHz, they are used in many different applications. The variant for PLC interface units enables rapid cabling to the proven Weidmüller interface sub-assemblies using system cables. This ensures rapid incorporation into your overall system. Two modules with a timestamp function are able to capture binary signals and to provide a timestamp in 1 μ s resolution. Further solutions are possible with the module UR20-4DI-2W-230V-AC which works with accurate current up to 230 V as an input signal.

The module electronics supply the connected sensors from the input current path (U_{IN}).

UR20-4DI-P



UR20-4DI-P-3W



UR20-8DI-P-2W



UR20-8DI-P-3W



UR20-8DI-P-3W-HD



UR20-16DI-P



UR20-16DI-P-PLC-INT



UR20-2DI-P-TS



UR20-4DI-P-TS



UR20-4DI-N



UR20-8DI-N-3W



UR20-16DI-N



UR20-16DI-N-PLC-INT



UR20-4DI-2W-230V-AC



UR20-8DI-IS0-2W



4DI-P

- 4 digital inputs for sensors such as transmitters, switches and proximity sensors
- Positive switching
- Reverse polarity protection
- 2-wire, 3-wire, 3-wire+FE connection
- Input filter can be set channel by channel
- Integrated sensor supply
- Types 1 and 3 acc. to IEC 61131-2

UR20-4DI-P



Technical data

System data	
Interface	u-remote system bus
Transmission speed of system bus, max.	48 Mbit
Galvanic isolation	500 V DC between the current paths
Supply	
Voltage supply	24 V DC +20 %/-15 %, via the system bus
Current consumption I _m (power segment of the field bus coupler), typ.	8 mA
Current consumption I _m (the respective power segment)	< 10 mA + sensor feed
Digital inputs	
Number of digital inputs	4
Type	Types 1 and 3, EN 61131-2
Input filter	configurable
Input voltage, low	< 5 V
Input voltage, high	> 11 V
Sensor supply	Yes
Sensor connection	2-wire, 3-wire, 3-wire + FE
Reverse polarity protection	Yes
Module diagnosis	Yes
Individual channel diagnosis	No
General data	
Weight	87 g
Dimensions H x W x D	120 mm / 11.5 mm / 76 mm
Note	

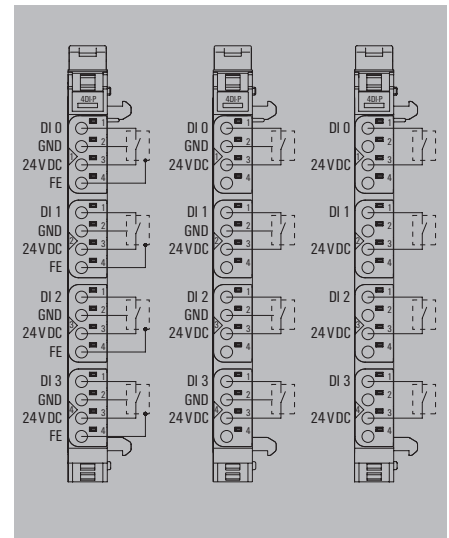
Type	Qty.	Order No.
UR20-4DI-P	1	1315170000

Ordering data

Module variants	
	Digital input module, 4 channels
Note	

Accessories

Type	Qty.	Order No.
KOSM BHZ.00	100	1483050000
UR20-EBK-ACC	5	1346610000
UR20-SM-ACC	20	1339920000
PM 2.7/2.6 MC SDR	192	1323700000
PM 2.7/2.6 MC NE WS	960	1323710000
DEK 5/8-11.5 MC SDR	100	1341610000
DEK 5/8-11.5 MC NE WS	500	1341630000
THM UR20 GE	1	1429910000
THM UR20 WS	1	1429420000
ESO UR20 DIN A4 WS	10	1429430000
Replacement parts		
Electronic module	UR20-EM-1315170000-SP	1 1346640000
Basic module	UR20-BM-SP	5 1350930000
Plug-in connector unit	UR20-PK-1315170000-SP	5 1346440000
Note		
1 roll = 1000 label = 1 Qty. 1 sheet = 60 label = 1 Qty.		



Product standard	IEC 61131-2
EMC	EN IEC 61000
ATEX	EN 60079
UL	UL 61010-2-201
MSIP	MSIP-REM-WMG-1315170000
CCC	available
EAC	available
ABS (American Bureau of Shipping)	available
BSH (Federal Maritime and Hydrographic Agency)	available
BV (Bureau Veritas)	available
DNV (Det Norske Veritas)	available
LR (Lloyd's Register)	available
RINA (Registro Italiano Navale)	available
KR (Korean Register)	available
NK (Nippon Kaiji Kyokai)	available
PRS (Polish Register of Shipping)	available
RMRoS (Russian Maritime Register of Shipping)	available
You can find the latest information online at www.weidmuller.com	

Digital input modules

4DI-P-3W

- 4 digital inputs for sensors such as transmitters, switches and proximity sensors
- Positive switching
- Reverse polarity protection
- 2-wire and 3-wire connection
- Input filter can be set channel by channel
- Integrated sensor supply
- Types 1 and 3 acc. to IEC 61131-2

UR20-4DI-P-3W



Technical data

System data

Interface
Transmission speed of system bus, max.
Galvanic isolation

Supply

Voltage supply
Current consumption I_m (power segment of the field bus coupler), typ.
Current consumption I_m (the respective power segment)

Digital inputs

Number of digital inputs
Type
Input filter
Input voltage, low
Input voltage, high
Sensor supply
Sensor connection
Reverse polarity protection
Module diagnosis
Individual channel diagnosis

General data

Weight
Dimensions H x W x D

Note

u-remote system bus
48 Mbit
500 V DC between the current paths

24 V DC +20 %/-15 %, via the system bus
8 mA
< 10 mA + sensor feed

4
Types 1 and 3, EN 61131-2
configurable
< 5 V
> 11 V
Yes
2-wire, 3-wire
Yes
Yes
Yes
No

85 g
120 mm / 11.5 mm / 76 mm

Ordering data

Module variants

Digital input module, 4 channels, 3-wire

Note

Type	Qty.	Order No.
UR20-4DI-P-3W	1	2009360000

Accessories

Coding elements
Termination kit
Swivel marker
Connection marker for pusher custom printing
Connection marker for pusher neutral
Module marker for custom printing
Module marker for neutral
Thermotransfer version (Material: Polyester)
Thermotransfer version (material: polyester)
Paper version for Laserprinter

Replacement parts

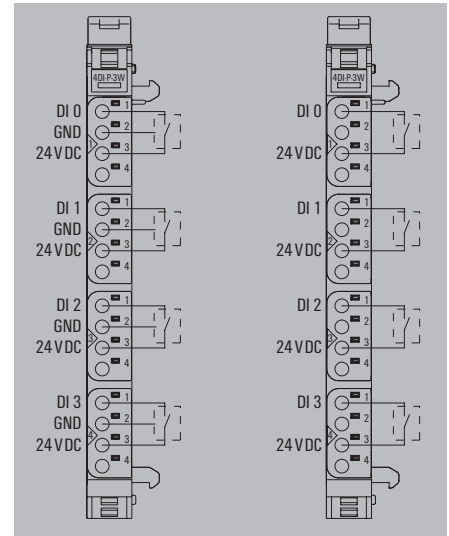
Electronic module
Basic module
Plug-in connector unit

Note

Type	Qty.	Order No.
KOSM BHZ5.00	100	1483050000
UR20-EBK-ACC	5	1346610000
UR20-SM-ACC	20	1339920000
PM 2.7/2.6 MC SDR	192	1323700000
PM 2.7/2.6 MC NE WS	960	1323710000
DEK 5/8-11.5 MC SDR	100	1341610000
DEK 5/8-11.5 MC NE WS	500	1341630000
THM UR20 GE	1	1429910000
THM UR20 WS	1	1429420000
ESO UR20 DIN A4 WS	10	1429430000

UR20-EM-2009360000-SP	1	2011260000
UR20-BM-SP	5	1350930000
UR20-PK-2009360000-SP	5	2011240000

1 roll = 1000 label = 1 Qty.
1 sheet = 60 label = 1 Qty.



Product standard	IEC 61131-2
EMC	EN IEC 61000
ATEX	not available
UL	UL 61010-2-201
MSIP	MSIP-REM-WMG-2009360000
CCC	not available
EAC	available
ABS (American Bureau of Shipping)	available
BSH (Federal Maritime and Hydrographic Agency)	available
BV (Bureau Veritas)	available
DNV (Det Norske Veritas)	available
LR (Lloyd's Register)	available
RINA (Registro Italiano Navale)	available
KR (Korean Register)	available
NK (Nippon Kaiji Kyokai)	available
PRS (Polish Register of Shipping)	available
RMRoS (Russian Maritime Register of Shipping)	available

You can find the latest information online at www.weidmuller.com

8DI-P-2W

- 8 digital inputs for sensors such as transmitters, switches and proximity sensors
- Positive switching
- Reverse polarity protection
- 2-wire connection
- Input filter can be set channel by channel
- Types 1 and 3 acc. to IEC 61131-2

UR20-8DI-P-2W



Technical data

System data	
Interface	u-remote system bus
Transmission speed of system bus, max.	48 Mbit
Galvanic isolation	500 V DC between the current paths
Supply	
Voltage supply	24 V DC +20 %/ -15 %, via the system bus
Current consumption I _m (power segment of the field bus coupler), typ.	8 mA
Current consumption I _m (the respective power segment)	30 mA
Digital inputs	
Number of digital inputs	8
Type	Types 1 and 3, EN 61131-2
Input filter	configurable
Input voltage, low	< 5 V
Input voltage, high	> 11 V
Sensor supply	Yes
Sensor connection	2-wire
Reverse polarity protection	Yes
Module diagnosis	Yes
Individual channel diagnosis	No
General data	
Weight	85 g
Dimensions H x W x D	120 mm / 11.5 mm / 76 mm
Note	

u-remote system bus		
48 Mbit		
500 V DC between the current paths		
24 V DC +20 %/ -15 %, via the system bus		
8 mA		
30 mA		
8		
Types 1 and 3, EN 61131-2		
configurable		
< 5 V		
> 11 V		
Yes		
2-wire		
Yes		
Yes		
No		
85 g		
120 mm / 11.5 mm / 76 mm		

Ordering data

Module variants	
Digital input module, 8 channels, 2-wire	
Note	

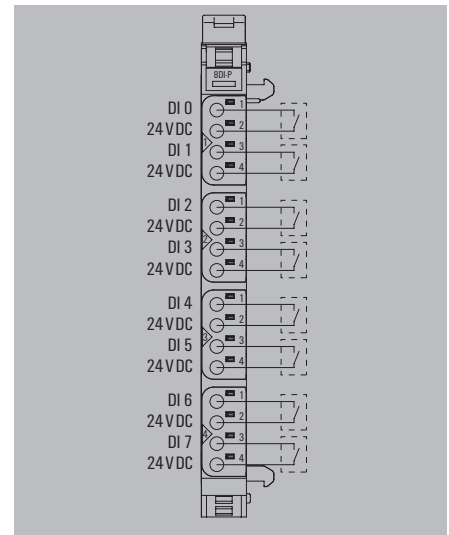
Type	Qty.	Order No.
UR20-8DI-P-2W	1	1315180000

Accessories

Coding elements	
Termination kit	
Swivel marker	
Connection marker for pusher custom printing	
Connection marker for pusher neutral	
Module marker for custom printing	
Module marker for neutral	
Thermotransfer version (Material: Polyester)	
Thermotransfer version (material: polyester)	
Paper version for Laserprinter	
Replacement parts	
Electronic module	
Basic module	
Plug-in connector unit	
Note	

Type	Qty.	Order No.
KOSM BHZ.00	100	1483050000
UR20-EBK-ACC	5	1346610000
UR20-SM-ACC	20	1339920000
PM 2.7/2.6 MC SDR	192	1323700000
PM 2.7/2.6 MC NE WS	960	1323710000
DEK 5/8-11.5 MC SDR	100	1341610000
DEK 5/8-11.5 MC NE WS	500	1341630000
THM UR20 GE	1	1429910000
THM UR20 WS	1	1429420000
ESD UR20 DIN A4 WS	10	1429430000
UR20-EM-1315180000-SP	1	1490220000
UR20-BM-SP	5	1350930000
UR20-PK-1315180000-SP	5	1346430000

1 roll = 1000 label = 1 Qty.
1 sheet = 60 label = 1 Qty.



Product standard	IEC 61131-2
EMC	EN IEC 61000
ATEX	EN 60079
UL	UL 61010-2-201
MSIP	MSIP-REM-WMG-1315180000
CCC	available
EAC	available
ABS (American Bureau of Shipping)	available
BSH (Federal Maritime and Hydrographic Agency)	available
BV (Bureau Veritas)	available
DNV (Det Norske Veritas)	available
LR (Lloyd's Register)	available
RINA (Registro Italiano Navale)	available
KR (Korean Register)	available
NK (Nippon Kaiji Kyokai)	available
PRS (Polish Register of Shipping)	available
RMRoS (Russian Maritime Register of Shipping)	available

You can find the latest information online at www.weidmuller.com

Digital input modules

8DI-P-3W

- 8 digital inputs for sensors such as transmitters, switches and proximity sensors
- Positive switching
- Reverse polarity protection
- 2-wire and 3-wire connection
- Input filter can be set channel by channel
- Integrated sensor supply
- Types 1 and 3 acc. to IEC 61131-2

Technical data

System data	
Interface	u-remote system bus
Transmission speed of system bus, max.	48 Mbit
Galvanic isolation	500 V DC between the current paths
Supply	
Voltage supply	24 V DC +20 % / -15 %, via the system bus
Current consumption I_m (power segment of the field bus coupler), typ.	8 mA
Current consumption I_m (the respective power segment)	< 22 mA + sensor feed
Digital inputs	
Number of digital inputs	8
Type	Types 1 and 3, EN 61131-2
Input filter	configurable
Input voltage, low	< 5 V
Input voltage, high	> 11 V
Sensor supply	Yes
Sensor connection	2-wire, 3-wire
Reverse polarity protection	Yes
Module diagnosis	Yes
Individual channel diagnosis	No
General data	
Weight	83 g
Dimensions H x W x D	120 mm / 11.5 mm / 76 mm
Note	

Ordering data

Module variants	
Digital input module, 8 channels, 3-wire	
Note	

Accessories

Coding elements	
Termination kit	
Swivel marker	
Connection marker for pusher custom printing	
Connection marker for pusher neutral	
Module marker for custom printing	
Module marker for neutral	
Thermotransfer version (Material: Polyester)	
Thermotransfer version (material: polyester)	
Paper version for Laserprinter	
Replacement parts	
Electronic module	
Basic module	
Plug-in connector unit	
Note	

UR20-8DI-P-3W

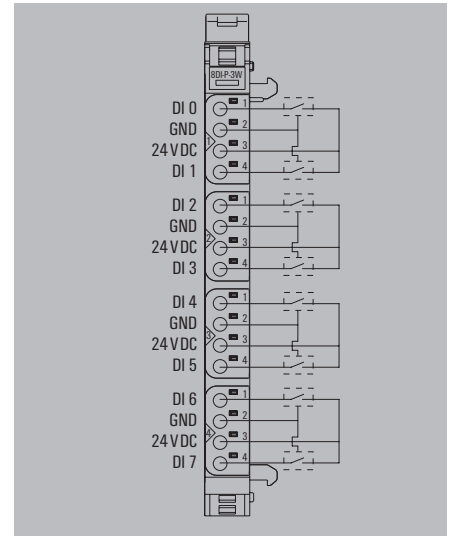


u-remote system bus	
48 Mbit	
500 V DC between the current paths	
24 V DC +20 % / -15 %, via the system bus	
8 mA	
< 22 mA + sensor feed	
8	
Types 1 and 3, EN 61131-2	
configurable	
< 5 V	
> 11 V	
Yes	
2-wire, 3-wire	
Yes	
Yes	
No	
83 g	
120 mm / 11.5 mm / 76 mm	

Type	Qty.	Order No.
UR20-8DI-P-3W	1	1394400000

Type	Qty.	Order No.
KOSM BHZ5.00	100	1483050000
UR20-EBK-ACC	5	1346610000
UR20-SM-ACC	20	1339920000
PM 2.7/2.6 MC SDR	192	1323700000
PM 2.7/2.6 MC NE WS	960	1323710000
DEK 5/8-11.5 MC SDR	100	1341610000
DEK 5/8-11.5 MC NE WS	500	1341630000
THM UR20 GE	1	1429910000
THM UR20 WS	1	1429420000
ESO UR20 DIN A4 WS	10	1429430000
UR20-EM-1394400000-SP	1	1346650000
UR20-BM-SP	5	1350930000
UR20-PK-1394400000-SP	5	1411430000

1 roll = 1000 label = 1 Qty.
1 sheet = 60 label = 1 Qty.



Product standard	IEC 61131-2
EMC	EN IEC 61000
ATEX	EN 60079
UL	UL 61010-2-201
MSIP	MSIP-REM-WMG-1394400000
CCC	available
EAC	available
ABS (American Bureau of Shipping)	available
BSH (Federal Maritime and Hydrographic Agency)	available
BV (Bureau Veritas)	available
DNV (Det Norske Veritas)	available
LR (Lloyd's Register)	available
RINA (Registro Italiano Navale)	available
KR (Korean Register)	available
NK (Nippon Kaiji Kyokai)	available
PRS (Polish Register of Shipping)	available
RMRoS (Russian Maritime Register of Shipping)	available

You can find the latest information online at www.weidmuller.com

8DI-P-3W-HD

- 8 digital inputs for sensors such as transmitters, switches and proximity sensors
- Positive switching
- Reverse polarity protection
- 2-wire and 3-wire connection
- Input filter can be set channel by channel
- Integrated sensor supply
- Types 1 and 3 acc. to IEC 61131-2

Technical data

System data	
Interface	u-remote system bus
Transmission speed of system bus, max.	48 Mbit
Galvanic isolation	500 V DC between the current paths
Supply	
Voltage supply	24 V DC +20 %/-15 %, via the system bus
Current consumption I _m (power segment of the field bus coupler), typ.	8 mA
Current consumption I _m (the respective power segment)	< 22 mA + sensor feed
Digital inputs	
Number of digital inputs	8
Type	Types 1 and 3, EN 61131-2
Input filter	configurable
Input voltage, low	< 5 V
Input voltage, high	> 11 V
Sensor supply	Yes
Sensor connection	2-wire, 3-wire
Reverse polarity protection	Yes
Module diagnosis	Yes
Individual channel diagnosis	No
General data	
Weight	66 g
Dimensions H x W x D	120 mm / 11.5 mm / 76 mm
Note	

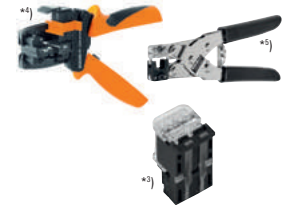
Ordering data

Module variants	
Digital input module, 8 channels, 3-wire, HD plug	
Note	

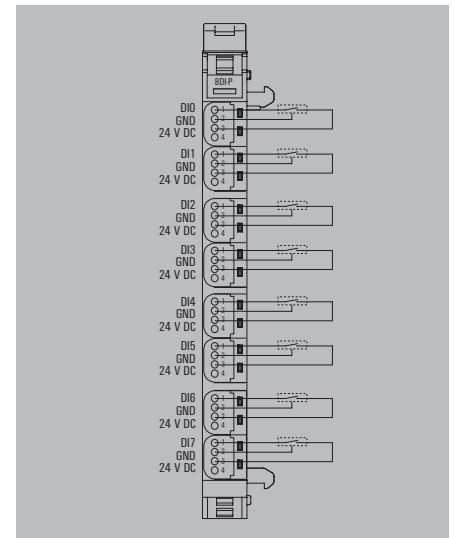
Accessories

Coding elements	
Termination kit	
Swivel marker	
Module marker for custom printing	
Module marker for neutral	
Thermotransfer version (Material: Polyester)	
Thermotransfer version (material: polyester)	
Paper version for Laserprinter	
Connector and tools	
^{*)} HD plug	
^{*)} Stripping tool	
^{*)} Pressing tool	
Replacement parts	
Electronic module	
Basic module	
Plug-in connector unit	
Note	

UR20-8DI-P-3W-HD



Note: Please order connector separately



u-remote system bus
48 Mbit
500 V DC between the current paths
24 V DC +20 %/-15 %, via the system bus
8 mA
< 22 mA + sensor feed
8
Types 1 and 3, EN 61131-2
configurable
< 5 V
> 11 V
Yes
2-wire, 3-wire
Yes
Yes
No
66 g
120 mm / 11.5 mm / 76 mm

Type	Qty.	Order No.
UR20-8DI-P-3W-HD	1	1315190000

Type	Qty.	Order No.
KOSM BHZ.00	100	1483050000
UR20-EBK-ACC	5	1346610000
UR20-SM-ACC	20	1339920000
DEK 5/8-11.5 MC SDR	100	1341610000
DEK 5/8-11.5 MC NE WS	500	1341630000
THM UR20 GE	1	1429910000
THM UR20 WS	1	1429420000
ESD UR20 DIN A4 WS	10	1429430000
UR20-PGO.35	8	1469340000
MULTI-STRIPAX 6-16	1	9202210000
PWZ-UR20-HD	1	1525820000

UR20-EM-1315190000-SP	1	1346670000
UR20-BM-SP	5	1350930000
UR20-PK-1315190000-SP	5	1518800000

Note: please order plug (1469340000) separately.

Product standard	IEC 61131-2
EMC	EN IEC 61000
ATEX	EN 60079
UL	UL 61010-2-201
MSIP	MSIP-REM-WMG-1315190000
CCC	available
EAC	available
ABS (American Bureau of Shipping)	available
BSH (Federal Maritime and Hydrographic Agency)	available
BV (Bureau Veritas)	available
DNV (Det Norske Veritas)	available
LR (Lloyd's Register)	available
RINA (Registro Italiano Navale)	available
KR (Korean Register)	available
NK (Nippon Kaiji Kyokai)	available
PRS (Polish Register of Shipping)	available
RMRoS (Russian Maritime Register of Shipping)	available

You can find the latest information online at www.weidmuller.com

Digital input modules

16DI-P

- 16 digital inputs
- Positive switching
- Reverse polarity protection
- 1-wire connection
- Permanently set input filter, 3 ms
- Types 1 and 3 acc. to IEC 61131-2

UR20-16DI-P



Technical data

System data	
Interface	u-remote system bus
Transmission speed of system bus, max.	48 Mbit
Galvanic isolation	500 V DC between the current paths
Supply	
Voltage supply	24 V DC +20 %/ -15 %, via the system bus
Current consumption I _m (power segment of the field bus coupler), typ.	8 mA
Current consumption I _m (the respective power segment)	< 25 mA
Digital inputs	
Number of digital inputs	16
Type	Types 1 and 3, EN 61131-2
Input filter	3 ms
Input voltage, low	< 5 V
Input voltage, high	> 11 V
Sensor supply	No
Sensor connection	Single-conductor
Reverse polarity protection	Yes
Module diagnosis	Yes
Individual channel diagnosis	No
General data	
Weight	44 g
Dimensions H x W x D	120 mm / 11.5 mm / 76 mm
Note	

Type	Qty.	Order No.
UR20-16DI-P	1	1315200000

Ordering data

Module variants	
	Digital input module, 16 channels
Note	

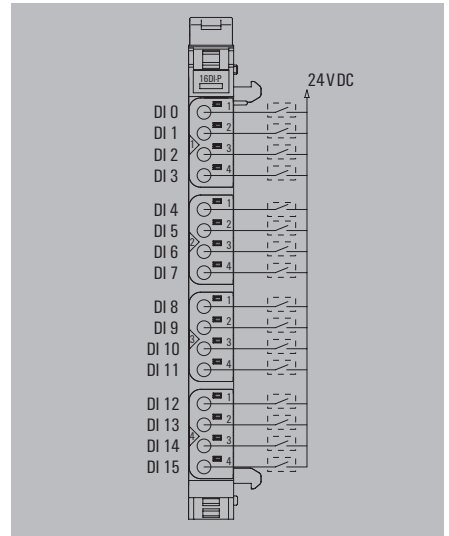
Accessories

	Coding elements
	Termination kit
	Swivel marker
Connection marker for pusher custom printing	
Connection marker for pusher neutral	
Module marker for custom printing	
Module marker for neutral	
Thermotransfer version (Material: Polyester)	
Thermotransfer version (material: polyester)	
Paper version for Laserprinter	

Replacement parts	
	Electronic module
	Basic module
	Plug-in connector unit
Note	

Type	Qty.	Order No.
KOSM BHZ5.00	100	1483050000
UR20-EBK-ACC	5	1346610000
UR20-SM-ACC	20	1339920000
PM 2.7/2.6 MC SDR	192	1323700000
PM 2.7/2.6 MC NE WS	960	1323710000
DEK 5/8-11.5 MC SDR	100	1341610000
DEK 5/8-11.5 MC NE WS	500	1341630000
THM UR20 GE	1	1429910000
THM UR20 WS	1	1429420000
ESD UR20 DIN A4 WS	10	1429430000
UR20-EM-1315200000-SP	1	1346680000
UR20-BM-SP	5	1350930000
UR20-PK-1315200000-SP	5	1346400000

1 roll = 1000 label = 1 Qty.
1 sheet = 60 label = 1 Qty.



Product standard	IEC 61131-2
EMC	EN IEC 61000
ATEX	EN 60079
UL	UL 61010-2-201
MSIP	MSIP-REM-WMG-1315200000
CCC	available
EAC	available
ABS (American Bureau of Shipping)	available
BSH (Federal Maritime and Hydrographic Agency)	available
BV (Bureau Veritas)	available
DNV (Det Norske Veritas)	available
LR (Lloyd's Register)	available
RINA (Registro Italiano Navale)	available
KR (Korean Register)	available
NK (Nippon Kaiji Kyokai)	available
PRS (Polish Register of Shipping)	available
RMRoS (Russian Maritime Register of Shipping)	available

You can find the latest information online at www.weidmuller.com

16DI-P-PLC-INT

- 16 digital inputs
- Positive switching
- Reverse polarity protection
- For connecting a PLC interface element
- Permanently set input filter, 3 ms
- Types 1 and 3 acc. to IEC 61131-2

Technical data

System data	
Interface	u-remote system bus
Transmission speed of system bus, max.	48 Mbit
Galvanic isolation	500 V DC between the current paths
Supply	
Voltage supply	24 V DC +20 %/-15 %, via the system bus
Current consumption I _m (power segment of the field bus coupler), typ.	8 mA
Current consumption I _m (the respective power segment)	< 15 mA
Digital inputs	
Number of digital inputs	16
Type	Types 1 and 3, EN 61131-2
Input filter	3 ms
Input voltage, low	< 5 V
Input voltage, high	> 11 V
Sensor supply	external
Sensor connection	PLC-Interface
Reverse polarity protection	Yes
Module diagnosis	Yes
Individual channel diagnosis	No
General data	
Weight	85 g
Dimensions H x W x D	120 mm / 11.5 mm / 76 mm
Note	

Ordering data

Module variants	
Digital input module, 16 channels, PLC interface	
Note	

Accessories

Coding elements	
Termination kit	
Swivel marker	
Connection marker for pusher custom printing	
Connection marker for pusher neutral	
Module marker for custom printing	
Module marker for neutral	
Thermotransfer version (Material: Polyester)	
Thermotransfer version (material: polyester)	
Paper version for Laserprinter	
Connector and cable	
PLC interface element	
Pre-assembled cable, 1m	
Replacement parts	
Electronic module	
Basic module	
Plug-in connector unit	
Note	

UR20-16DI-P-PLC-INT



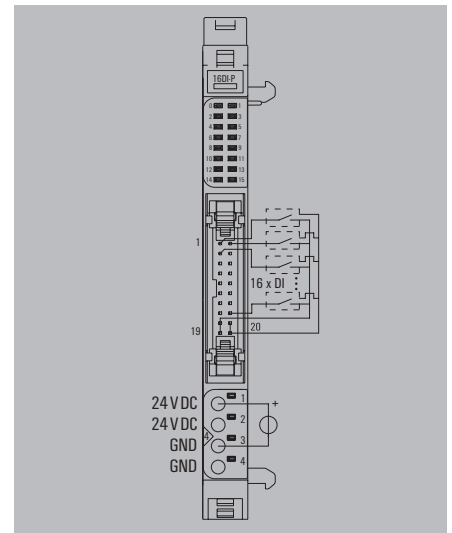
System data		
Interface	u-remote system bus	
Transmission speed of system bus, max.	48 Mbit	
Galvanic isolation	500 V DC between the current paths	
Supply		
Voltage supply	24 V DC +20 %/-15 %, via the system bus	
Current consumption I _m (power segment of the field bus coupler), typ.	8 mA	
Current consumption I _m (the respective power segment)	< 15 mA	
Digital inputs		
Number of digital inputs	16	
Type	Types 1 and 3, EN 61131-2	
Input filter	3 ms	
Input voltage, low	< 5 V	
Input voltage, high	> 11 V	
Sensor supply	external	
Sensor connection	PLC-Interface	
Reverse polarity protection	Yes	
Module diagnosis	Yes	
Individual channel diagnosis	No	
General data		
Weight	85 g	
Dimensions H x W x D	120 mm / 11.5 mm / 76 mm	
Note		

Type	Qty.	Order No.
UR20-16DI-P-PLC-INT	1	1315210000

Type	Qty.	Order No.
KOSM BHZ.00	100	1483050000
UR20-EBK-ACC	5	1346610000
UR20-SM-ACC	20	1339920000
PM 2.7/2.6 MC SDR	192	1323700000
PM 2.7/2.6 MC NE WS	960	1323710000
DEK 5/8-11.5 MC SDR	100	1341610000
DEK 5/8-11.5 MC NE WS	500	1341630000
THM UR20 GE	1	1429910000
THM UR20 WS	1	1429420000
ESD UR20 DIN A4 WS	10	1429430000

RS 16IO 1W H S	1	9445700000
PAC-UNIV-HE20-LCH-1M	1	7789306010
UR20-EM-1315210000-SP	1	1346690000
UR20-BM-SP	5	1350930000
UR20-PK-1315210000-SP	5	1346590000

1 roll = 1000 label = 1 Qty.
1 sheet = 60 label = 1 Qty.



Product standard	IEC 61131-2
EMC	EN IEC 61000
ATEX	EN 60079
UL	UL 61010-2-201
MSIP	MSIP-REM-WMG-1315210000
CCC	available
EAC	available
ABS (American Bureau of Shipping)	available
BSH (Federal Maritime and Hydrographic Agency)	available
BV (Bureau Veritas)	available
DNV (Det Norske Veritas)	available
LR (Lloyd's Register)	available
RINA (Registro Italiano Navale)	available
KR (Korean Register)	available
NK (Nippon Kaiji Kyokai)	available
PRS (Polish Register of Shipping)	available
RMRoS (Russian Maritime Register of Shipping)	available

You can find the latest information online at www.weidmuller.com

Digital input modules

2DI-P-TS

- 2 digital inputs for sensors such as transmitters, switches and proximity sensors
- Positive switching
- 2-wire, 3-wire, 3-wire+FE connection
- Input filter can be set channel by channel
- Types 1 and 3 acc. to IEC 61131-2
- 1 μ s Timestamp resolution

UR20-2DI-P-TS



Technical data

System data

Interface
Transmission speed of system bus, max.
Galvanic isolation

Supply

Voltage supply
Current consumption I_m (power segment of the field bus coupler), typ.
Current consumption I_m (the respective power segment)

Digital inputs

Number of digital inputs
Type
Input filter
Input voltage, low
Input voltage, high
Sensor supply
Sensor connection
Reverse polarity protection
Module diagnosis
Individual channel diagnosis
Time stamp data width
Time stamp resolution

General data

Weight
Dimensions H x W x D

Note

u-remote system bus
48 Mbit
500 V DC between the current paths

24 V DC +20 %/-15 %, via the system bus
8 mA
< 10 mA + sensor feed

2
Types 1 and 3, EN 61131-2
configurable
< 5 V
> 11 V
Yes
2-wire, 3-wire, 3-wire + FE
Yes
Yes
No
16 Bit
1 μ s

83 g
120 mm / 11.5 mm / 76 mm

Ordering data

Module variants

Digital input module, 2 channels, Timestamp

Note

Type	Qty.	Order No.
UR20-2DI-P-TS	1	1460140000

Accessories

Coding elements
Termination kit
Swivel marker
Connection marker for pusher custom printing
Connection marker for pusher neutral
Module marker for custom printing
Module marker for neutral
Thermotransfer version (Material: Polyester)
Thermotransfer version (material: polyester)
Paper version for Laserprinter

Type	Qty.	Order No.
KOSM BHZ5.00	100	1483050000
UR20-EBK-ACC	5	1346610000
UR20-SM-ACC	20	1339920000
PM 2.7/2.6 MC SDR	192	1323700000
PM 2.7/2.6 MC NE WS	960	1323710000
DEK 5/8-11.5 MC SDR	100	1341610000
DEK 5/8-11.5 MC NE WS	500	1341630000
THM UR20 GE	1	1429910000
THM UR20 WS	1	1429420000
ESD UR20 DIN A4 WS	10	1429430000

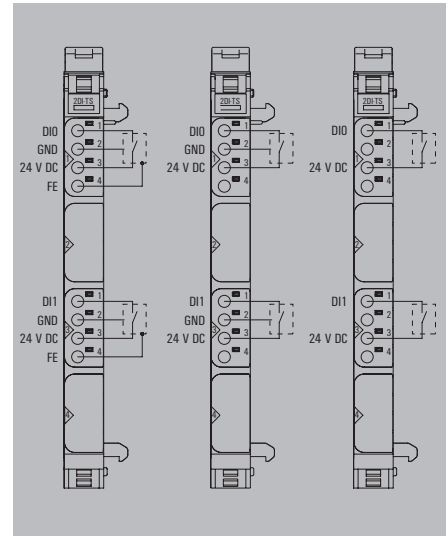
Replacement parts

Electronic module
Basic module
Plug-in connector unit

UR20-EM-1460140000-SP	1	1463690000
UR20-BM-SP	5	1350930000
UR20-PK-1460140000-SP	5	1484110000

Note

1 roll = 1000 label = 1 Qty.
1 sheet = 60 label = 1 Qty.



Product standard	IEC 61131-2
EMC	EN IEC 61000
ATEX	EN 60079
UL	UL 61010-2-201
MSIP	MSIP-REM-WMG-1460140000
CCC	available
EAC	available
ABS (American Bureau of Shipping)	available
BSH (Federal Maritime and Hydrographic Agency)	available
BV (Bureau Veritas)	available
DNV (Det Norske Veritas)	available
LR (Lloyd's Register)	available
RINA (Registro Italiano Navale)	available
KR (Korean Register)	available
NK (Nippon Kaiji Kyokai)	available
PRS (Polish Register of Shipping)	available
RMRoS (Russian Maritime Register of Shipping)	available

You can find the latest information online at www.weidmuller.com

4DI-P-TS

- 4 digital inputs for sensors such as transmitters, switches and proximity sensors
- Positive switching
- 2-wire, 3-wire, 3-wire+FE connection
- Input filter can be set channel by channel
- Types 1 and 3 acc. to IEC 61131-2
- 1 µs Timestamp resolution

UR20-4DI-P-TS



Technical data

System data	
Interface	u-remote system bus
Transmission speed of system bus, max.	48 Mbit
Galvanic isolation	500 V DC between the current paths
Supply	
Voltage supply	24 V DC +20 %/-15 %, via the system bus
Current consumption I _m (power segment of the field bus coupler), typ.	8 mA
Current consumption I _m (the respective power segment)	< 10 mA + sensor feed
Digital inputs	
Number of digital inputs	4
Type	Types 1 and 3, EN 61131-2
Input filter	configurable
Input voltage, low	< 5 V
Input voltage, high	> 11 V
Sensor supply	Yes
Sensor connection	2-wire, 3-wire, 3-wire + FE
Reverse polarity protection	Yes
Module diagnosis	Yes
Individual channel diagnosis	No
Time stamp data width	16 Bit
Time stamp resolution	1 µs
General data	
Weight	87 g
Dimensions H x W x D	120 mm / 11.5 mm / 76 mm
Note	

Type	Qty.	Order No.
UR20-4DI-P-TS	1	1460150000

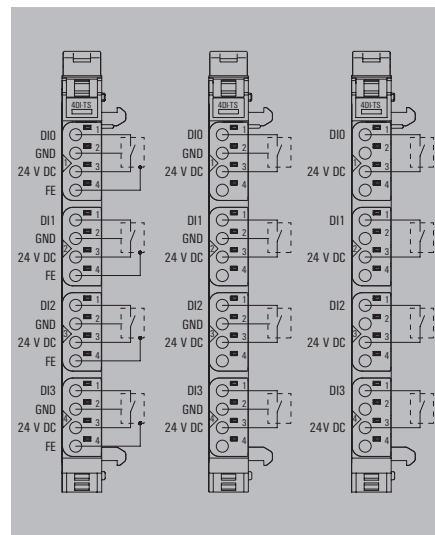
Ordering data

Module variants	
Digital input module, 4 channels, Timestamp	
Note	

Accessories

Coding elements	KOSM BHZ5.00	100	1483050000
Termination kit	UR20-EBK-ACC	5	1346610000
Swivel marker	UR20-SM-ACC	20	1339920000
Connection marker for pusher custom printing	PM 2.7/2.6 MC SDR	192	1323700000
Connection marker for pusher neutral	PM 2.7/2.6 MC NE WS	960	1323710000
Module marker for custom printing	DEK 5/8-11.5 MC SDR	100	1341610000
Module marker for neutral	DEK 5/8-11.5 MC NE WS	500	1341630000
Thermotransfer version (Material: Polyester)	THM UR20 GE	1	1429910000
Thermotransfer version (material: polyester)	THM UR20 WS	1	1429420000
Paper version for Laserprinter	ESD UR20 DIN A4 WS	10	1429430000
Replacement parts			
Electronic module	UR20-EM-1460150000-SP	1	1463680000
Basic module	UR20-BM-SP	5	1350930000
Plug-in connector unit	UR20-PK-1460150000-SP	5	1484430000
Note			
1 roll = 1000 label = 1 Qty. 1 sheet = 60 label = 1 Qty.			

Type	Qty.	Order No.
UR20-EM-1460150000-SP	1	1463680000
UR20-BM-SP	5	1350930000
UR20-PK-1460150000-SP	5	1484430000



Product standard	IEC 61131-2
EMC	EN IEC 61000
ATEX	EN 60079
UL	UL 61010-2-201
MSIP	MSIP-REM-WMG-1460150000
CCC	available
EAC	available
ABS (American Bureau of Shipping)	available
BSH (Federal Maritime and Hydrographic Agency)	available
BV (Bureau Veritas)	available
DNV (Det Norske Veritas)	available
LR (Lloyd's Register)	available
RINA (Registro Italiano Navale)	available
KR (Korean Register)	available
NK (Nippon Kaiji Kyokai)	available
PRS (Polish Register of Shipping)	available
RMRoS (Russian Maritime Register of Shipping)	available
You can find the latest information online at www.weidmuller.com	



Digital input modules

4DI-N

- 4 digital inputs for sensors such as transmitters, switches and proximity sensors
- Negative switching
- Reverse polarity protection
- 2-wire, 3-wire, 3-wire+FE connection
- Input filter can be set channel by channel
- Integrated sensor supply
- Types 1 and 3 acc. to IEC 61131-2

UR20-4DI-N



Technical data

System data

Interface
Transmission speed of system bus, max.
Galvanic isolation

Supply

Voltage supply
Current consumption I_m (power segment of the field bus coupler), typ.
Current consumption I_m (the respective power segment)

Digital inputs

Number of digital inputs
Type
Input filter
Input voltage, low
Input voltage, high
Sensor supply
Sensor connection
Reverse polarity protection
Module diagnosis
Individual channel diagnosis

General data

Weight
Dimensions H x W x D

Note

u-remote system bus
48 Mbit
500 V DC between the current paths

24 V DC +20 %/-15 %, via the system bus
8 mA
< 10 mA + sensor feed

4
Types 1 and 3, EN 61131-2
configurable
> -5 V referred to +24 V of the input power supply U_m
< -11 V referred to +24 V of the input power supply U_m
Yes
2-wire, 3-wire, 3-wire + FE
Yes
Yes
No

87 g
120 mm / 11.5 mm / 76 mm

Ordering data

Module variants

Digital input module, 4 channels

Note

Type	Qty.	Order No.
UR20-4DI-N	1	1315350000

Accessories

Coding elements
Termination kit
Swivel marker
Connection marker for pusher custom printing
Connection marker for pusher neutral
Module marker for custom printing
Module marker for neutral
Thermotransfer version (Material: Polyester)
Thermotransfer version (material: polyester)
Paper version for Laserprinter

Replacement parts

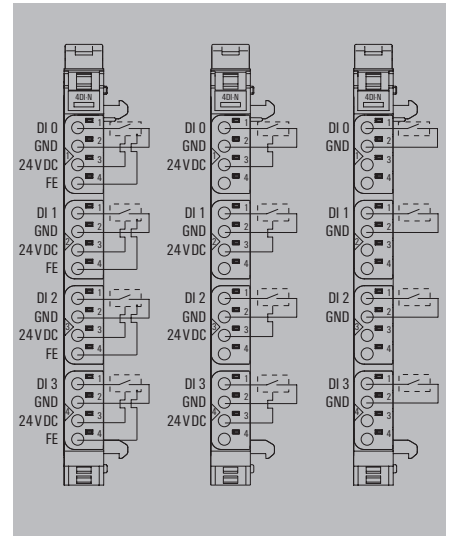
Electronic module
Basic module
Plug-in connector unit

Note

Type	Qty.	Order No.
KOSM BHZ5.00	100	1483050000
UR20-EBK-ACC	5	1346610000
UR20-SM-ACC	20	1339920000
PM 2.7/2.6 MC SDR	192	1323700000
PM 2.7/2.6 MC NE WS	960	1323710000
DEK 5/8-11.5 MC SDR	100	1341610000
DEK 5/8-11.5 MC NE WS	500	1341630000
THM UR20 GE	1	1429910000
THM UR20 WS	1	1429420000
ESO UR20 DIN A4 WS	10	1429430000

UR20-EM-1315350000-SP	1	1346870000
UR20-BM-SP	5	1350930000
UR20-PK-1315350000-SP	5	1559770000

1 roll = 1000 label = 1 Qty.
1 sheet = 60 label = 1 Qty.



Product standard	IEC 61131-2
EMC	EN IEC 61000
ATEX	EN 60079
UL	UL 61010-2-201
MSIP	MSIP-REM-WMG-1315350000
CCC	available
EAC	available
ABS (American Bureau of Shipping)	available
BSH (Federal Maritime and Hydrographic Agency)	available
BV (Bureau Veritas)	available
DNV (Det Norske Veritas)	available
LR (Lloyd's Register)	available
RINA (Registro Italiano Navale)	available
KR (Korean Register)	available
NK (Nippon Kaiji Kyokai)	available
PRS (Polish Register of Shipping)	available
RMRoS (Russian Maritime Register of Shipping)	available

You can find the latest information online at www.weidmuller.com

8DI-N-3W

- 8 digital inputs for sensors such as transmitters, switches and proximity sensors
- Negative switching
- Reverse polarity protection
- 2-wire and 3-wire connection
- Input filter can be set channel by channel
- Integrated sensor supply
- Types 1 and 3 acc. to IEC 61131-2

Technical data

System data	
Interface	u-remote system bus
Transmission speed of system bus, max.	48 Mbit
Galvanic isolation	500 V DC between the current paths
Supply	
Voltage supply	24 V DC +20 %/-15 %, via the system bus
Current consumption I _m (power segment of the field bus coupler), typ.	8 mA
Current consumption I _m (the respective power segment)	< 20 mA
Digital inputs	
Number of digital inputs	8
Type	Types 1 and 3, EN 61131-2
Input filter	configurable
Input voltage, low	> -5 V referred to +24 V of the input power supply U _N
Input voltage, high	< -11 V referred to +24 V of the input power supply U _N
Sensor supply	Yes
Sensor connection	2-wire, 3-wire
Reverse polarity protection	Yes
Module diagnosis	Yes
Individual channel diagnosis	No
General data	
Weight	83 g
Dimensions H x W x D	120 mm / 11.5 mm / 76 mm
Note	

Ordering data

Module variants	
	Digital input module, 8 channels, 3-wire
Note	

Accessories

	Coding elements
	Termination kit
	Swivel marker
Connection marker for pusher custom printing	
Connection marker for pusher neutral	
Module marker for custom printing	
Module marker for neutral	
Thermotransfer version (Material: Polyester)	
Thermotransfer version (material: polyester)	
Paper version for Laserprinter	

Replacement parts	
	Electronic module
	Basic module
	Plug-in connector unit
Note	

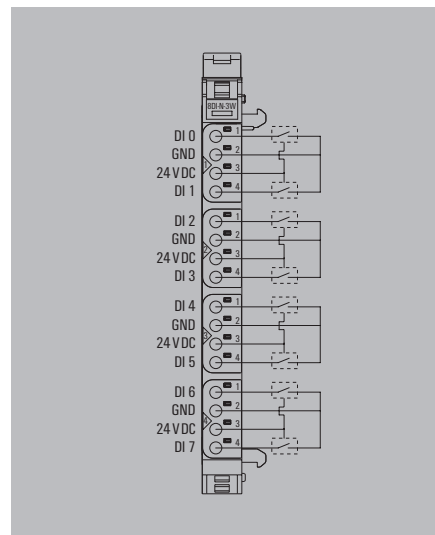
UR20-8DI-N-3W



System data		
Interface	u-remote system bus	
Transmission speed of system bus, max.	48 Mbit	
Galvanic isolation	500 V DC between the current paths	
Supply		
Voltage supply	24 V DC +20 %/-15 %, via the system bus	
Current consumption I _m (power segment of the field bus coupler), typ.	8 mA	
Current consumption I _m (the respective power segment)	< 20 mA	
Digital inputs		
Number of digital inputs	8	
Type	Types 1 and 3, EN 61131-2	
Input filter	configurable	
Input voltage, low	> -5 V referred to +24 V of the input power supply U _N	
Input voltage, high	< -11 V referred to +24 V of the input power supply U _N	
Sensor supply	Yes	
Sensor connection	2-wire, 3-wire	
Reverse polarity protection	Yes	
Module diagnosis	Yes	
Individual channel diagnosis	No	
General data		
Weight	83 g	
Dimensions H x W x D	120 mm / 11.5 mm / 76 mm	
Note		

Type	Qty.	Order No.
UR20-8DI-N-3W	1	1315370000

Type	Qty.	Order No.
KOSM BHZ5.00	100	1483050000
UR20-EBK-ACC	5	1346610000
UR20-SM-ACC	20	1339920000
PM 2.7/2.6 MC SDR	192	1323700000
PM 2.7/2.6 MC NE WS	960	1323710000
DEK 5/8-11.5 MC SDR	100	1341610000
DEK 5/8-11.5 MC NE WS	500	1341630000
THM UR20 GE	1	1429910000
THM UR20 WS	1	1429420000
ESO UR20 DIN A4 WS	10	1429430000
Replacement parts		
UR20-EM-1315370000-SP	1	1346880000
UR20-BM-SP	5	1350930000
UR20-PK-1315370000-SP	5	1559780000
Note		
1 roll = 1000 label = 1 Qty. 1 sheet = 60 label = 1 Qty.		



Product standard	IEC 61131-2	
EMC	EN IEC 61000	
ATEX	EN 60079	
UL	UL 61010-2-201	
MSIP	MSIP-REM-WMG-1315370000	
CCC	available	
EAC	available	
ABS (American Bureau of Shipping)	available	available
BSH (Federal Maritime and Hydrographic Agency)	available	available
BV (Bureau Veritas)	available	available
DNV (Det Norske Veritas)	available	available
LR (Lloyd's Register)	available	available
RINA (Registro Italiano Navale)	available	available
KR (Korean Register)	available	available
NK (Nippon Kaiji Kyokai)	available	available
PRS (Polish Register of Shipping)	available	available
RMRoS (Russian Maritime Register of Shipping)	available	available
You can find the latest information online at www.weidmuller.com		

Digital input modules

16DI-N

- 16 digital inputs
- Negative switching
- Reverse polarity protection
- 1-wire connection
- Permanently set input filter, 3 ms
- Types 1 and 3 acc. to IEC 61131-2

Technical data

System data	
Interface	u-remote system bus
Transmission speed of system bus, max.	48 Mbit
Galvanic isolation	500 V DC between the current paths
Supply	
Voltage supply	24 V DC +20 %/ -15 %, via the system bus
Current consumption I_{IN} (power segment of the field bus coupler), typ.	8 mA
Current consumption I_{IN} (the respective power segment)	< 15 mA
Digital inputs	
Number of digital inputs	16
Type	Types 1 and 3, EN 61131-2
Input filter	3 ms
Input voltage, low	> - 5 V referred to +24 V of the input power supply U_{IN}
Input voltage, high	< - 11 V referred to +24 V of the input power supply U_{IN}
Sensor supply	No
Sensor connection	Single-conductor
Reverse polarity protection	Yes
Module diagnosis	Yes
Individual channel diagnosis	No
General data	
Weight	86 g
Dimensions H x W x D	120 mm / 11.5 mm / 76 mm
Note	

Ordering data

Module variants	
	Digital input module, 16 channels
Note	

Accessories

	Coding elements
	Termination kit
	Swivel marker
Connection marker for pusher custom printing	
Connection marker for pusher neutral	
Module marker for custom printing	
Module marker for neutral	
Thermotransfer version (Material: Polyester)	
Thermotransfer version (material: polyester)	
Paper version for Laserprinter	
Replacement parts	
	Electronic module
	Basic module
	Plug-in connector unit
Note	

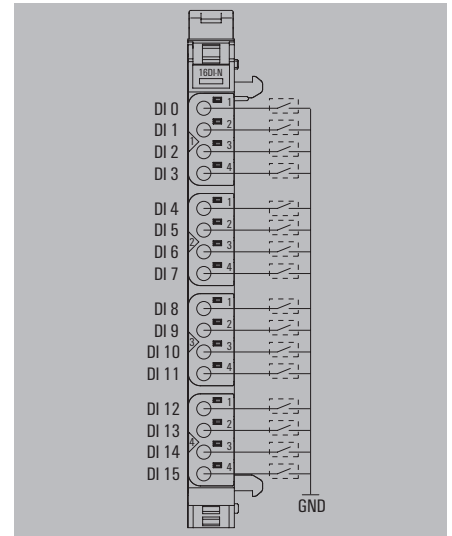
UR20-16DI-N



	u-remote system bus
	48 Mbit
	500 V DC between the current paths
Supply	
	24 V DC +20 %/ -15 %, via the system bus
	8 mA
	< 15 mA
Digital inputs	
	16
	Types 1 and 3, EN 61131-2
	3 ms
	> - 5 V referred to +24 V of the input power supply U_{IN}
	< - 11 V referred to +24 V of the input power supply U_{IN}
	No
	Single-conductor
	Yes
	Yes
	No
General data	
	86 g
	120 mm / 11.5 mm / 76 mm
Note	

Type	Qty.	Order No.
UR20-16DI-N	1	1315390000

Type	Qty.	Order No.
KOSM BHZ5.00	100	1483050000
UR20-EBK-ACC	5	1346610000
UR20-SM-ACC	20	1339920000
PM 2.7/2.6 MC SDR	192	1323700000
PM 2.7/2.6 MC NE WS	960	1323710000
DEK 5/8-11.5 MC SDR	100	1341610000
DEK 5/8-11.5 MC NE WS	500	1341630000
THM UR20 GE	1	1429910000
THM UR20 WS	1	1429420000
ESD UR20 DIN A4 WS	10	1429430000
Replacement parts		
UR20-EM-1315390000-SP	1	1346920000
UR20-BM-SP	5	1350930000
UR20-PK-1315390000-SP	5	1559790000
Note		
1 roll = 1000 label = 1 Qty.		
1 sheet = 60 label = 1 Qty.		



Product standard	IEC 61131-2
EMC	EN IEC 61000
ATEX	EN 60079
UL	UL 61010-2-201
MSIP	MSIP-REM-WMG-1315390000
CCC	available
EAC	available
ABS (American Bureau of Shipping)	available
BSH (Federal Maritime and Hydrographic Agency)	available
BV (Bureau Veritas)	available
DNV (Det Norske Veritas)	available
LR (Lloyd's Register)	available
RINA (Registro Italiano Navale)	available
KR (Korean Register)	available
NK (Nippon Kaiji Kyokai)	available
PRS (Polish Register of Shipping)	available
RMRoS (Russian Maritime Register of Shipping)	available
You can find the latest information online at www.weidmuller.com	

16DI-N-PLC-INT

- 16 digital inputs
- Negative switching
- Reverse polarity protection
- For connecting a PLC interface element
- Permanently set input filter, 3 ms
- Types 1 and 3 acc. to IEC 61131-2

Technical data

System data	
Interface	u-remote system bus
Transmission speed of system bus, max.	48 Mbit
Galvanic isolation	500 V DC between the current paths
Supply	
Voltage supply	24 V DC +20 %/-15 %, via the system bus
Current consumption I _m (power segment of the field bus coupler), typ.	8 mA
Current consumption I _m (the respective power segment)	< 15 mA
Digital inputs	
Number of digital inputs	16
Type	Types 1 and 3, EN 61131-2
Input filter	3 ms
Input voltage, low	> -5 V referred to +24 V of the input power supply U _N
Input voltage, high	< -11 V referred to +24 V of the input power supply U _N
Sensor supply	external
Sensor connection	PLC-Interface
Reverse polarity protection	Yes
Module diagnosis	Yes
Individual channel diagnosis	No
General data	
Weight	82 g
Dimensions H x W x D	120 mm / 11.5 mm / 76 mm
Note	

Ordering data

Module variants	
Digital input module, 16 channels, PLC interface	
Note	

Accessories

Coding elements	
Termination kit	
Swivel marker	
Connection marker for pusher custom printing	
Connection marker for pusher neutral	
Module marker for custom printing	
Module marker for neutral	
Thermotransfer version (Material: Polyester)	
Thermotransfer version (material: polyester)	
Paper version for Laserprinter	
Connector and cable	
PLC interface element	
Pre-assembled cable, 1m	
Replacement parts	
Electronic module	
Basic module	
Plug-in connector unit	
Note	

UR20-16DI-N-PLC-INT



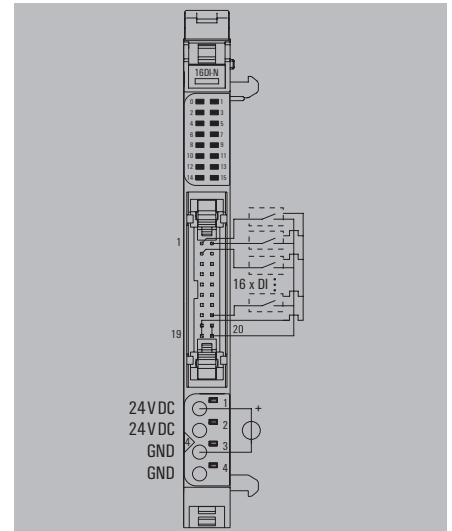
System data		
Interface	u-remote system bus	
Transmission speed of system bus, max.	48 Mbit	
Galvanic isolation	500 V DC between the current paths	
Supply		
Voltage supply	24 V DC +20 %/-15 %, via the system bus	
Current consumption I _m (power segment of the field bus coupler), typ.	8 mA	
Current consumption I _m (the respective power segment)	< 15 mA	
Digital inputs		
Number of digital inputs	16	
Type	Types 1 and 3, EN 61131-2	
Input filter	3 ms	
Input voltage, low	> -5 V referred to +24 V of the input power supply U _N	
Input voltage, high	< -11 V referred to +24 V of the input power supply U _N	
Sensor supply	external	
Sensor connection	PLC-Interface	
Reverse polarity protection	Yes	
Module diagnosis	Yes	
Individual channel diagnosis	No	
General data		
Weight	82 g	
Dimensions H x W x D	120 mm / 11.5 mm / 76 mm	
Note		

Type	Qty.	Order No.
UR20-16DI-N-PLC-INT	1	1315400000

Type	Qty.	Order No.
KOSM BHZ5.00	100	1483050000
UR20-EBK-ACC	5	1346610000
UR20-SM-ACC	20	1339920000
PM 2.7/2.6 MC SDR	192	1323700000
PM 2.7/2.6 MC NE WS	960	1323710000
DEK 5/8-11.5 MC SDR	100	1341610000
DEK 5/8-11.5 MC NE WS	500	1341630000
THM UR20 GE	1	1429910000
THM UR20 WS	1	1429420000
ESD UR20 DIN A4 WS	10	1429430000

RS 16IO 1W H S	1	9445700000
PAC-UNIV-HE20-LCH-1M	1	7789306010
UR20-EM-1315400000-SP	1	1346930000
UR20-BM-SP	5	1350930000
UR20-PK-1315400000-SP	5	1559800000

1 roll = 1000 label = 1 Qty.
1 sheet = 60 label = 1 Qty.



Product standard	IEC 61131-2
EMC	EN IEC 61000
ATEX	EN 60079
UL	UL 61010-2-201
MSIP	MSIP-REM-WMG-1315400000
CCC	available
EAC	available
ABS (American Bureau of Shipping)	available
BSH (Federal Maritime and Hydrographic Agency)	available
BV (Bureau Veritas)	available
DNV (Det Norske Veritas)	available
LR (Lloyd's Register)	available
RINA (Registro Italiano Navale)	available
KR (Korean Register)	available
NK (Nippon Kaiji Kyokai)	available
PRS (Polish Register of Shipping)	available
RMRoS (Russian Maritime Register of Shipping)	available

You can find the latest information online at www.weidmuller.com

Digital input modules

8DI-ISO-2W

- 8 digital inputs for sensors
- Insulation up to 500 V
- Reverse polarity protection
- 2-wire connection
- Types 1 and 3 acc. to IEC 61131-2

UR20-8DI-ISO-2W



Technical data

System data

Interface
Transmission speed of system bus, max.
Galvanic isolation

Supply

Voltage supply
Current consumption I_m (power segment of the field bus coupler), typ.
Current consumption I_m (the respective power segment)

Digital inputs

Number of digital inputs
Type
Input filter
Input voltage, low
Input voltage, high
Sensor supply
Sensor connection
Reverse polarity protection
Module diagnosis
Individual channel diagnosis
Insulation

General data

Weight
Dimensions H x W x D

Note

u-remote system bus
48 Mbit
500 V DC between the current paths

no
8 mA
No

8
Types 1 and 3, EN 61131-2
Input delay adjustable from 0 to 40 ms
< 10 V
> 11 V
No
2-wire
Yes
Yes
No
500 V (channel to channel), 500 V (channel to supply voltage)

85 g
120 mm / 11.5 mm / 76 mm

Ordering data

Module variants

Digital input module, 8 channels, isolated

Note

Type	Qty.	Order No.
UR20-8DI-ISO-2W	1	2457240000

Accessories

Coding elements
Termination kit
Swivel marker
Connection marker for pusher custom printing
Connection marker for pusher neutral
Module marker for custom printing
Module marker for neutral
Thermotransfer version (Material: Polyester)
Thermotransfer version (material: polyester)
Paper version for Laserprinter

Replacement parts

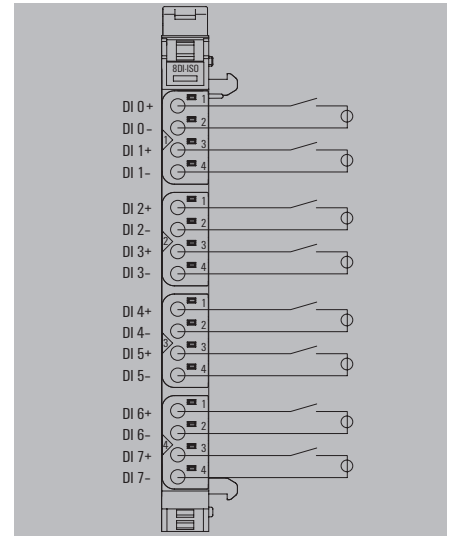
Electronic module
Basic module
Plug-in connector unit

Note

Type	Qty.	Order No.
KOSM BHZ5.00	100	1483050000
UR20-EBK-ACC	5	1346610000
UR20-SM-ACC	20	1339920000
PM 2.7/2.6 MC SDR	192	1323700000
PM 2.7/2.6 MC NE WS	960	1323710000
DEK 5/8-11.5 MC SDR	100	1341610000
DEK 5/8-11.5 MC NE WS	500	1341630000
THM UR20 GE	1	1429910000
THM UR20 WS	1	1429420000
ESO UR20 DIN A4 WS	10	1429430000

UR20-EM-2457240000-SP	1	2545780000
UR20-BM-SP	5	1350930000
UR20-PK-2457240000-SP	5	2545760000

1 roll = 1000 label = 1 Qty.
1 sheet = 60 label = 1 Qty.



Product standard	IEC 61131-2
EMC	EN IEC 61000
ATEX	EN 60079
UL	UL 61010-2-201
MSIP	MSIP-REM-WMG-2457240000
CCC	available
EAC	available
ABS (American Bureau of Shipping)	not available
BSH (Federal Maritime and Hydrographic Agency)	available
BV (Bureau Veritas)	not available
DNV (Det Norske Veritas)	not available
LR (Lloyd's Register)	not available
RINA (Registro Italiano Navale)	not available
KR (Korean Register)	not available
NK (Nippon Kaiji Kyokai)	not available
PRS (Polish Register of Shipping)	not available
RMRoS (Russian Maritime Register of Shipping)	not available

You can find the latest information online at www.weidmuller.com

4DI-2W-230V-AC

- 4 digital inputs for sensors such as transmitters, switches and proximity sensors
- Input filter can be set channel by channel
- Galvanic isolation by 4 kV
- Positive switching
- 2-wire connection
- Types 3 acc. to IEC 61131-2

Technical data

System data	
Interface	u-remote system bus
Transmission speed of system bus, max.	48 Mbit
Galvanic isolation	500 V DC between the current paths
Line-to-line voltage	400 V is possible between the channels
Supply	
Voltage supply	24 V DC +20 %/ -15 %, via the system bus
Current consumption I _m (power segment of the field bus coupler), typ.	8 mA
Digital inputs	
Number of digital inputs	4
Type	Types 1 and 3, EN 61131-2
Input filter	configurable, 10 ms
Input voltage, low	< 65 V
Input voltage, high	≥ 80 V
Supply voltage (input)	277 V AC (UL), 265 V AC (VDE)
Input frequency	50 Hz, 60 Hz
Sensor supply	No
Sensor connection	2-wire
Module diagnosis	Yes
Individual channel diagnosis	No
General data	
Weight	89 g
Dimensions H x W x D	120 mm / 11.5 mm / 76 mm
Note	

Ordering data

Module variants	
	Digital input module, 4 channels, 230V AC
Note	

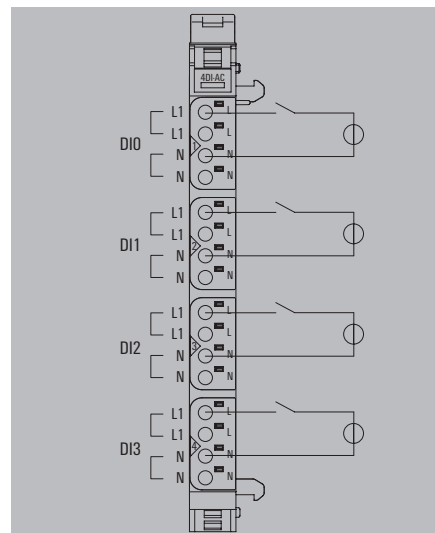
Accessories

	Coding elements	KOSM BHZ5.00	100	1483050000
	Termination kit	UR20-EBK-ACC	5	1346610000
	Swivel marker	UR20-SM-ACC	20	1339920000
	Connection marker for pusher custom printing	PM 2.7/2.6 MC SDR	192	1323700000
	Connection marker for pusher neutral	PM 2.7/2.6 MC NE WS	960	1323710000
	Module marker for custom printing	DEK 5/8-11.5 MC SDR	100	1341610000
	Module marker for neutral	DEK 5/8-11.5 MC NE WS	500	1341630000
	Thermotransfer version (Material: Polyester)	THM UR20 GE	1	1429910000
	Thermotransfer version (material: polyester)	THM UR20 WS	1	1429420000
	Paper version for Laserprinter	ESO UR20 DIN A4 WS	10	1429430000
Replacement parts				
	Electronic module	UR20-EM-1550070000-SP	1	1558880000
	Basic module	UR20-BM-SP	5	1350930000
	Plug-in connector unit	UR20-PK-1550070000-SP	5	1559820000
Note				
1 roll = 1000 label = 1 Qty. 1 sheet = 60 label = 1 Qty.				

UR20-4DI-2W-230V-AC



Type		
UR20-4DI-2W-230V-AC	1	1550070000
Type		
UR20-EM-1550070000-SP	1	1558880000
UR20-BM-SP	5	1350930000
UR20-PK-1550070000-SP	5	1559820000
1 roll = 1000 label = 1 Qty. 1 sheet = 60 label = 1 Qty.		



Product standard		
Product standard	IEC 61131-2	
EMC	EN IEC 61000	
ATEX	EN 60079	
UL	UL 61010-2-201	
MSIP	MSIP-REM-WMG-1550070000	
CCC	available	
EAC	available	
ABS (American Bureau of Shipping)	available	available
BSH (Federal Maritime and Hydrographic Agency)	available	
BV (Bureau Veritas)	available	
DNV (Det Norske Veritas)	available	
LR (Lloyd's Register)	available	
RINA (Registro Italiano Navale)	available	
KR (Korean Register)	available	
NK (Nippon Kaiji Kyokai)	available	
PRS (Polish Register of Shipping)	available	
RMRoS (Russian Maritime Register of Shipping)	available	
You can find the latest information online at www.weidmuller.com		

Digital output modules

P- or N-switching, short-circuit-proof, up to 3-wire+FE

Digital output modules are available in the following variants: 4DO, 8DO with 2-wire technology, 16DO with or without PLC interface connection. They are used primarily for incorporating decentralised actuators. The digital output modules are available as P- or N-switching variant. All outputs are designed for DC-13 actuators acc. to DIN EN 60947-5-1 and IEC 61131-2 specifications. Just like the digital input modules, frequencies of up to 1 kHz are possible. Maximum system safety is ensured by protecting the outputs. This consists of an automatic restart following a short-circuit. Clearly recognisable LEDs also signal the status of the entire module as well as individual channels.

In addition to the standard applications of the digital output modules, the portfolio also includes special variants, such as the 4RO-SSR module for rapidly switching applications. Fitted with solid state technology, 0.5 A is available for each output. Furthermore, there is also the 4RO-CO relay module for power-intensive applications. This is equipped with four change-over contacts, optimised for a switching voltage of 277 V AC and designed for a switching current of 6 A. To serve negative switching requirements there is a parameterisable version of the 4-DO Module.

The module electronics supply the connected actuators from the output current path (U_{OUT}).



4DO-P

- 4 digital outputs
- Can be loaded up to 0.5 A per channel
- Short-circuit-proof
- 2-wire, 3-wire, 3-wire+FE connection
- Positive switching
- DC-13 load
- IEC 61131-2 compliant

UR20-4DO-P



Technical data

System data	
Interface	u-remote system bus
Transmission speed of system bus, max.	48 Mbit
Galvanic isolation	500 V DC between the current paths
Supply	
Voltage supply	24 V DC +20 %/ -15 %, via the system bus
Current consumption I _{in} (power segment of the field bus coupler), typ.	8 mA
Current consumption from I _{OUT} (the respective power segment)	10 mA + load
Digital outputs	
Number of digital outputs	4
Type	Lamp load, Ohmic, Inductive
Max. response time, high	100 µs
Max. response time, low	250 µs
Output current per channel, max.	500 mA
Output current per module, max.	2000 mA
Switching frequenz max. Resistive load (min. 47 Ω)	1 kHz
Switching frequenz max. Inductive load (DC13)	0.2 Hz
Switching frequenz max. Lamp load (12 W)	1 kHz
Actuator connection	2-wire, 3-wire, 3-wire + FE
Short-circuit-proof	Yes (thermal cut-out)
Feedback-free	Yes
Module diagnosis	Yes
Individual channel diagnosis	No
Switch-off energy (inductive)	< 150 mJ / channel
Response time of the protective circuit (current limiting)	< 100µs
General data	
Weight	86 g
Dimensions H x W x D	120 mm / 11.5 mm / 76 mm
Note	

Type	Qty.	Order No.
UR20-4DO-P	1	1315220000

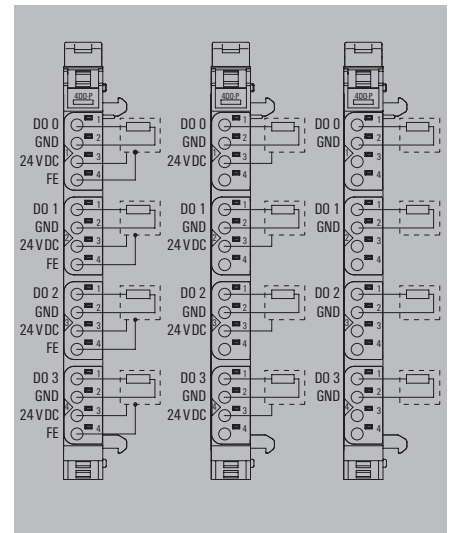
Ordering data

Module variants	
	Digital output module, 4 channels
Note	

Accessories

	Coding elements
	Termination kit
	Swivel marker
	Connection marker for pusher custom printing
	Connection marker for pusher neutral
	Module marker for custom printing
	Module marker for neutral
	Thermotransfer version (Material: Polyester)
	Thermotransfer version (material: polyester)
	Paper version for Laserprinter
Replacement parts	
	Electronic module
	Basic module
	Plug-in connector unit
Note	

Type	Qty.	Order No.
KOSM BHZ5.00	100	1483050000
UR20-EBK-ACC	5	1346610000
UR20-SM-ACC	20	1339920000
PM 2.7/2.6 MC SDR	192	1323700000
PM 2.7/2.6 MC NE WS	960	1323710000
DEK 5/8-11.5 MC SDR	100	1341610000
DEK 5/8-11.5 MC NE WS	500	1341630000
THM UR20 GE	1	1429910000
THM UR20 WS	1	1429420000
ESD UR20 DIN A4 WS	10	1429430000
UR20-EM-1315220000-SP	1	1346700000
UR20-BM-SP	5	1350930000
UR20-PK-1315220000-SP	5	1483960000
1 roll = 1000 label = 1 Qty. 1 sheet = 60 label = 1 Qty.		



Product standard	IEC 61131-2
EMC	EN IEC 61000
ATEX	EN 60079
UL	UL 61010-2-201
MSIP	MSIP-REM-WMG-1315220000
CCC	available
EAC	available
ABS (American Bureau of Shipping)	available
BSH (Federal Maritime and Hydrographic Agency)	available
BV (Bureau Veritas)	available
DNV (Det Norske Veritas)	available
LR (Lloyd's Register)	available
RINA (Registro Italiano Navale)	available
KR (Korean Register)	available
NK (Nippon Kaiji Kyokai)	available
PRS (Polish Register of Shipping)	available
RMRoS (Russian Maritime Register of Shipping)	available
You can find the latest information online at www.weidmuller.com	

Digital output modules

4D0-P-2A

- 4 digital outputs
- Module can be loaded up to 8 A
- Can be loaded up to 2 A per channel
- Short-circuit-proof
- 2-wire, 3-wire, 3-wire+FE connection
- Positive switching
- DC-13 load
- IEC 61131-2 compliant

UR20-4D0-P-2A



Technical data

System data	
Interface	u-remote system bus
Transmission speed of system bus, max.	48 Mbit
Galvanic isolation	500 V DC between the current paths
Supply	
Voltage supply	24 V DC +20 %/-15 %, via the system bus
Current consumption I _{in} (power segment of the field bus coupler), typ.	8 mA
Current consumption from I _{OUT} (the respective power segment)	10 mA + load
Digital outputs	
Number of digital outputs	4
Type	Lamp load, Ohmic, Inductive
Max. response time, high	100 µs
Max. response time, low	250 µs
Output current per channel, max.	2000 mA
Output current per module, max.	8000 mA
Switching frequenz max. Resistive load (min. 47 Ω)	1 kHz
Switching frequenz max. Inductive load (DC13)	0.2 Hz
Switching frequenz max. Lamp load (12 W)	1 kHz
Actuator connection	2-wire, 3-wire, 3-wire + FE
Short-circuit-proof	Yes (thermal cut-out)
Feedback-free	Yes
Module diagnosis	Yes
Individual channel diagnosis	No
Switch-off energy (inductive)	< 150 mJ / channel
Response time of the protective circuit (current limiting)	< 100µs
General data	
Weight	85 g
Dimensions H x W x D	120 mm / 11.5 mm / 76 mm
Note	

Type	Qty.	Order No.
UR20-4D0-P-2A	1	1315230000

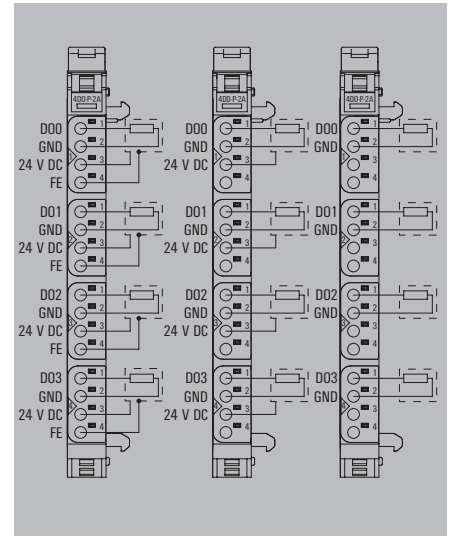
Ordering data

Module variants	
	Digital output module, 4 channels, 2 A
Note	

Accessories

Replacement parts	
	Electronic module
	Basic module
	Plug-in connector unit
Note	

Type	Qty.	Order No.
KOSM BHZ5.00	100	1483050000
UR20-EBK-ACC	5	1346610000
UR20-SM-ACC	20	1339920000
PM 2.7/2.6 MC SDR	192	1323700000
PM 2.7/2.6 MC NE WS	960	1323710000
DEK 5/8-11.5 MC SDR	100	1341610000
DEK 5/8-11.5 MC NE WS	500	1341630000
THM UR20 GE	1	1429910000
THM UR20 WS	1	1429420000
ESD UR20 DIN A4 WS	10	1429430000
UR20-EM-1315230000-SP	1	1346710000
UR20-BM-SP	5	1350930000
UR20-PK-1315230000-SP	5	1483970000
Note		
1 roll = 1000 label = 1 Qty.		
1 sheet = 60 label = 1 Qty.		



Product standard	IEC 61131-2
EMC	EN IEC 61000
ATEX	EN 60079
UL	UL 61010-2-201
MSIP	MSIP-REM-WMG-1315230000
CCC	available
EAC	available
ABS (American Bureau of Shipping)	available
BSH (Federal Maritime and Hydrographic Agency)	available
BV (Bureau Veritas)	available
DNV (Det Norske Veritas)	available
LR (Lloyd's Register)	available
RINA (Registro Italiano Navale)	available
KR (Korean Register)	available
NK (Nippon Kaiji Kyokai)	available
PRS (Polish Register of Shipping)	available
RMRoS (Russian Maritime Register of Shipping)	available
You can find the latest information online at www.weidmuller.com	

4DO-PN-2A

- 4 digital outputs
- Module can be loaded up to 8 A
- Can be loaded up to 2 A per channel
- Short-circuit-proof
- Positive or negative switching
- 2-wire, 3-wire, 3-wire+FE connection
- IEC 61131-2 compliant

UR20-4DO-PN-2A



Technical data

System data	
Interface	u-remote system bus
Transmission speed of system bus, max.	48 Mbit
Galvanic isolation	500 V DC between the current paths
Supply	
Voltage supply	24 V DC +20 %/-15 %, via the system bus
Current consumption I _{in} (power segment of the field bus coupler), typ.	8 mA
Current consumption from I _{OUT} (the respective power segment)	10 mA + load
Digital outputs	
Number of digital outputs	4
Positive or negative switching	Positive or negative switching
Type	Inductive, Ohmic, Lamp load
Max. response time, high	100 µs
Max. response time, low	250 µs
Output current per channel, max.	2 A
Output current per module, max.	8000 mA
Switching frequenz max. Resistive load (min. 47 Ω)	1 kHz
Switching frequenz max. Inductive load (DC13)	2 Hz
Switching frequenz max. Lamp load (12 W)	1 kHz
Actuator connection	2-wire, 3-wire, 3-wire + FE
Short-circuit-proof	Yes (thermal cut-out)
Feedback-free	Yes
Module diagnosis	Yes
Individual channel diagnosis	No
Switch-off energy (inductive)	< 150 mJ / channel
Response time of the protective circuit (current limiting)	< 100µs
General data	
Weight	85 g
Dimensions H x W x D	120 mm / 11.5 mm / 76 mm
Note	

Type	Qty.	Order No.
UR20-4DO-PN-2A	1	1394420000

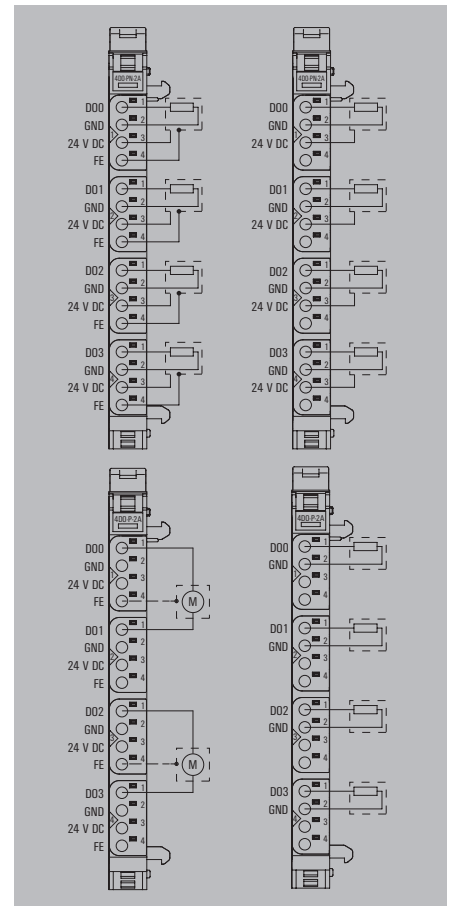
Ordering data

Module variants	
	Digital output module, 4 channels
Note	

Accessories

Type	Qty.	Order No.
KOSM BHZ5.00	100	1483050000
UR20-EBK-ACC	5	1346610000
UR20-SM-ACC	20	1339920000
PM 2.7/2.6 MC SDR	192	1323700000
PM 2.7/2.6 MC NE WS	960	1323710000
DEK 5/8-11.5 MC SDR	100	1341610000
DEK 5/8-11.5 MC NE WS	500	1341630000
THM UR20 GE	1	1429910000
THM UR20 WS	1	1429420000
ESO UR20 DIN A4 WS	10	1429430000
UR20-EM-1394420000-SP	1	1480950000
UR20-BM-SP	5	1350930000
UR20-PK-1394420000-SP	5	1483980000

1 roll = 1000 label = 1 Qty.
1 sheet = 60 label = 1 Qty.



Product standard	IEC 61131-2
EMC	EN IEC 61000
ATEX	EN 60079
UL	UL 61010-2-201
MSIP	MSIP-REM-WMG-1394420000
CCC	available
EAC	available
ABS (American Bureau of Shipping)	available
BSH (Federal Maritime and Hydrographic Agency)	available
BV (Bureau Veritas)	available
DNV (Det Norske Veritas)	available
LR (Lloyd's Register)	available
RINA (Registro Italiano Navale)	available
KR (Korean Register)	available
NK (Nippon Kaiji Kyokai)	available
PRS (Polish Register of Shipping)	available
RMRS (Russian Maritime Register of Shipping)	available

You can find the latest information online at www.weidmueller.com

Digital output modules

8DO-P

- 8 digital outputs
- Can be loaded up to 0.5 A per channel
- Short-circuit-proof
- 2-wire connection
- Positive switching
- DC-13 load
- IEC 61131-2 compliant

UR20-8DO-P



Technical data

System data	
Interface	u-remote system bus
Transmission speed of system bus, max.	48 Mbit
Galvanic isolation	500 V DC between the current paths
Supply	
Voltage supply	24 V DC +20 %/ -15 %, via the system bus
Current consumption I_{in} (power segment of the field bus coupler), typ.	8 mA
Current consumption from I_{out} (the respective power segment)	15 mA + load
Digital outputs	
Number of digital outputs	8
Type	Lamp load, Ohmic, Inductive
Max. response time, high	100 μ s
Max. response time, low	250 μ s
Output current per channel, max.	500 mA
Output current per module, max.	4000 mA
Switching frequenz max. Resistive load (min. 47 Ω)	1 kHz
Switching frequenz max. Inductive load (DC13)	0.2 Hz
Switching frequenz max. Lamp load (12 W)	1 kHz
Actuator connection	2-wire
Short-circuit-proof	Yes (thermal cut-out)
Feedback-free	Yes
Module diagnosis	Yes
Individual channel diagnosis	No
Switch-off energy (inductive)	< 150 mJ / channel
Response time of the protective circuit (current limiting)	< 100 μ s
General data	
Weight	87 g
Dimensions H x W x D	120 mm / 11.5 mm / 76 mm
Note	

Ordering data

Module variants	
	Digital output module, 8 channels
Note	

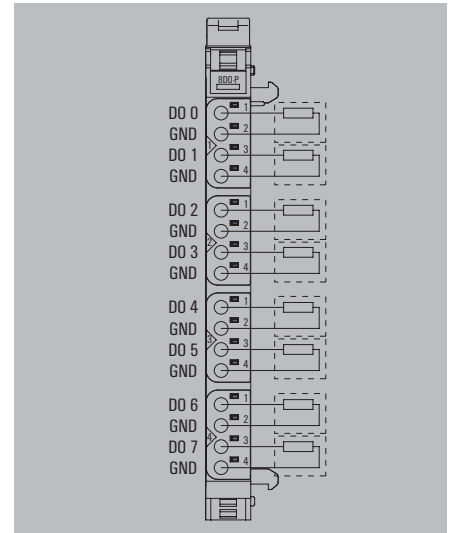
Accessories

	Coding elements
	Termination kit
	Swivel marker
	Connection marker for pusher custom printing
	Connection marker for pusher neutral
	Module marker for custom printing
	Module marker for neutral
	Thermotransfer version (Material: Polyester)
	Thermotransfer version (material: polyester)
	Paper version for Laserprinter
Replacement parts	
	Electronic module
	Basic module
	Plug-in connector unit
Note	

u-remote system bus	48 Mbit
500 V DC between the current paths	
24 V DC +20 %/ -15 %, via the system bus	8 mA
15 mA + load	
8	
Lamp load, Ohmic, Inductive	100 μ s
	250 μ s
	500 mA
	4000 mA
	1 kHz
	0.2 Hz
	1 kHz
	2-wire
	Yes (thermal cut-out)
	Yes
	Yes
	No
	< 150 mJ / channel
	< 100 μ s
	87 g
	120 mm / 11.5 mm / 76 mm

Type	Qty.	Order No.
UR20-8DO-P	1	1315240000
For this and additional technical data, please refer to the manual available at www.weidmuller.de .		

Type	Qty.	Order No.
KOSM BHZ5.00	100	1483050000
UR20-EBK-ACC	5	1346610000
UR20-SM-ACC	20	1339920000
PM 2.7/2.6 MC SDR	192	1323700000
PM 2.7/2.6 MC NE WS	960	1323710000
DEK 5/8-11.5 MC SDR	100	1341610000
DEK 5/8-11.5 MC NE WS	500	1341630000
THM UR20 GE	1	1429910000
THM UR20 WS	1	1429420000
ESD UR20 DIN A4 WS	10	1429430000
UR20-EM-1315240000-SP	1	1346720000
UR20-BM-SP	5	1350930000
UR20-PK-1315240000-SP	5	1346410000
1 roll = 1000 label = 1 Qty. 1 sheet = 60 label = 1 Qty.		



Product standard	IEC 61131-2
EMC	EN IEC 61000
ATEX	EN 60079
UL	UL 61010-2-201
MSIP	MSIP-REM-WMG-1315240000
CCC	available
EAC	available
ABS (American Bureau of Shipping)	available
BSH (Federal Maritime and Hydrographic Agency)	available
BV (Bureau Veritas)	available
DNV (Det Norske Veritas)	available
LR (Lloyd's Register)	available
RINA (Registro Italiano Navale)	available
KR (Korean Register)	available
NK (Nippon Kaiji Kyokai)	available
PRS (Polish Register of Shipping)	available
RMRoS (Russian Maritime Register of Shipping)	available
You can find the latest information online at www.weidmuller.com	

8DO-P-2W-HD

- 8 digital outputs
- Can be loaded up to 0.5 A per channel
- Short-circuit-proof
- 2-wire connection
- Positive switching
- DC-13 load
- IEC 61131-2 compliant

Technical data

System data	
Interface	u-remote system bus
Transmission speed of system bus, max.	48 Mbit
Galvanic isolation	500 V DC between the current paths
Supply	
Voltage supply	24 V DC +20 %/-15 %, via the system bus
Current consumption I _{in} (power segment of the field bus coupler), typ.	8 mA
Current consumption from I _{OUT} (the respective power segment)	40 mA
Digital outputs	
Number of digital outputs	8
Type	Lamp load, Ohmic, Inductive
Max. response time, high	50 µs
Max. response time, low	100 µs
Output current per channel, max.	500 mA
Output current per module, max.	4000 mA
Switching frequenz max. Resistive load (min. 47 Ω)	1 kHz
Switching frequenz max. Inductive load (DC13)	0.2 Hz
Switching frequenz max. Lamp load (12 W)	1 kHz
Actuator connection	2-wire
Short-circuit-proof	Yes (thermal cut-out)
Feedback-free	Yes
Module diagnosis	Yes
Individual channel diagnosis	No
Switch-off energy (inductive)	< 150 mJ / channel
Response time of the protective circuit (current limiting)	< 100µs
General data	
Weight	66 g
Dimensions H x W x D	120 mm / 11.5 mm / 76 mm
Note	

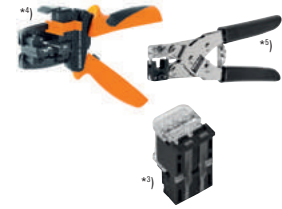
Ordering data

Module variants	
	Digital output module, 8 channels, HD-plug
Note	

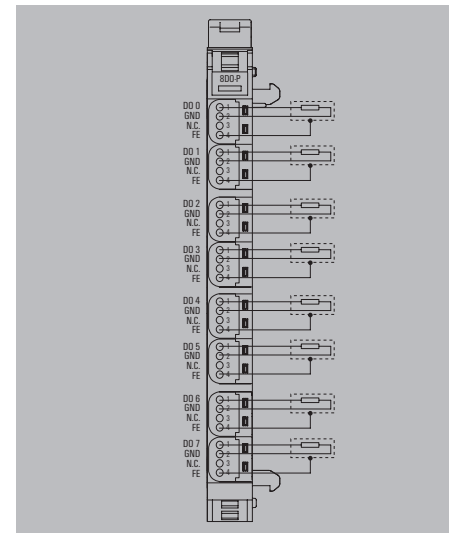
Accessories

	Coding elements
	Termination kit
	Swivel marker
	Module marker for custom printing
	Module marker for neutral
	Thermotransfer version (Material: Polyester)
	Thermotransfer version (material: polyester)
	Paper version for Laserprinter
Connector and tools	
	^{*)} HD plug
	^{*)} Stripping tool
	^{*)} Pressing tool
Replacement parts	
	Electronic module
	Basic module
	Plug-in connector unit
Note	

UR20-8DO-P-2W-HD



Note: Please order connector separately



Product standard	IEC 61131-2
EMC	EN IEC 61000
ATEX	EN 60079
UL	UL 61010-2-201
MSIP	MSIP-REM-WMG-1509830000
CCC	available
EAC	available
ABS (American Bureau of Shipping)	available
BSH (Federal Maritime and Hydrographic Agency)	available
BV (Bureau Veritas)	available
DNV (Det Norske Veritas)	available
LR (Lloyd's Register)	available
RINA (Registro Italiano Navale)	available
KR (Korean Register)	available
NK (Nippon Kaiji Kyokai)	available
PRS (Polish Register of Shipping)	available
RMRoS (Russian Maritime Register of Shipping)	available
You can find the latest information online at www.weidmuller.com	

Type	Qty.	Order No.
UR20-8DO-P-2W-HD	1	1509830000
Accessories		
Type	Qty.	Order No.
KOSM BHZ5.00	100	1483050000
UR20-EBK-ACC	5	1346610000
UR20-SM-ACC	20	1339920000
DEK 5/8-11.5 MC SDR	100	1341610000
DEK 5/8-11.5 MC NE WS	500	1341630000
THM UR20 GE	1	1429910000
THM UR20 WS	1	1429420000
ESD UR20 DIN A4 WS	10	1429430000
Connector and tools		
UR20-PG0.35	8	1469340000
MULTI-STRIPAX 6-16	1	9202210000
PWZ-UR20-HD	1	1525820000
Replacement parts		
UR20-EM-1509830000-SP	1	1515450000
UR20-BM-SP	5	1350930000
UR20-PK-1509830000-SP	5	1559720000
Note: please order plug (1469340000) separately.		

Digital output modules

16DO-P

- 16 digital outputs
- Can be loaded up to 0.5 A per channel
- Short-circuit-proof
- 1-wire connection
- Positive switching
- DC-13 load
- IEC 61131-2 compliant

UR20-16DO-P



Technical data

System data	
Interface	u-remote system bus
Transmission speed of system bus, max.	48 Mbit
Galvanic isolation	500 V DC between the current paths
Supply	
Voltage supply	24 V DC +20 %/ -15 %, via the system bus
Current consumption I_{in} (power segment of the field bus coupler), typ.	8 mA
Current consumption from I_{out} (the respective power segment)	20 mA + load
Digital outputs	
Number of digital outputs	16
Type	Lamp load, Ohmic, Inductive
Max. response time, high	100 μ s
Max. response time, low	250 μ s
Output current per channel, max.	500 mA
Output current per module, max.	8000 mA
Switching frequenz max. Resistive load (min. 47 Ω)	1 kHz
Switching frequenz max. Inductive load (DC13)	0.2 Hz
Switching frequenz max. Lamp load (12 W)	1 kHz
Actuator connection	Single-conductor
Short-circuit-proof	Yes (thermal cut-out)
Feedback-free	Yes
Module diagnosis	Yes
Individual channel diagnosis	No
Switch-off energy (inductive)	< 150 mJ / channel
Response time of the protective circuit (current limiting)	< 100 μ s
General data	
Weight	83 g
Dimensions H x W x D	120 mm / 11.5 mm / 76 mm
Note	

Ordering data

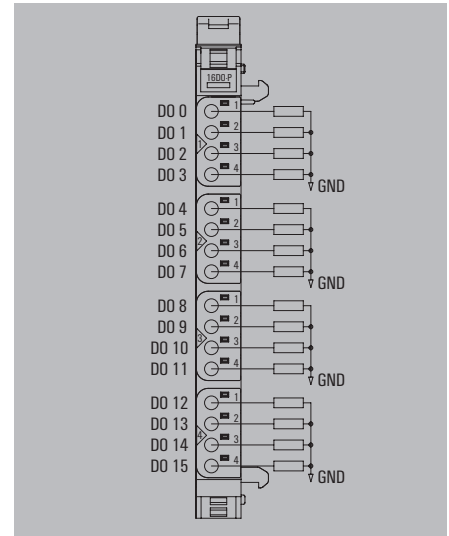
Module variants	
	Digital output module, 16 channels
Note	

Accessories

	Coding elements
	Termination kit
	Swivel marker
	Connection marker for pusher custom printing
	Connection marker for pusher neutral
	Module marker for custom printing
	Module marker for neutral
	Thermotransfer version (Material: Polyester)
	Thermotransfer version (material: polyester)
	Paper version for Laserprinter
Replacement parts	
	Electronic module
	Basic module
	Plug-in connector unit
Note	

Type	Qty.	Order No.
UR20-16DO-P	1	1315250000

Type	Qty.	Order No.
KOSM BHZ5.00	100	1483050000
UR20-EBK-ACC	5	1346610000
UR20-SM-ACC	20	1339920000
PM 2.7/2.6 MC SDR	192	1323700000
PM 2.7/2.6 MC NE WS	960	1323710000
DEK 5/8-11.5 MC SDR	100	1341610000
DEK 5/8-11.5 MC NE WS	500	1341630000
THM UR20 GE	1	1429910000
THM UR20 WS	1	1429420000
ESD UR20 DIN A4 WS	10	1429430000
UR20-EM-1315250000-SP	1	1346730000
UR20-BM-SP	5	1350930000
UR20-PK-1315250000-SP	5	1483990000
1 roll = 1000 label = 1 Qty. 1 sheet = 60 label = 1 Qty.		



Product standard	IEC 61131-2
EMC	EN IEC 61000
ATEX	EN 60079
UL	UL 61010-2-201
MSIP	MSIP-REM-WMG-1315250000
CCC	available
EAC	available
ABS (American Bureau of Shipping)	available
BSH (Federal Maritime and Hydrographic Agency)	available
BV (Bureau Veritas)	available
DNV (Det Norske Veritas)	available
LR (Lloyd's Register)	available
RINA (Registro Italiano Navale)	available
KR (Korean Register)	available
NK (Nippon Kaiji Kyokai)	available
PRS (Polish Register of Shipping)	available
RMRoS (Russian Maritime Register of Shipping)	available
You can find the latest information online at www.weidmuller.com	

16DO-P-PLC-INT

- 16 digital outputs
- Can be loaded up to 0.5 A per channel
- Short-circuit-proof
- For connecting a PLC interface element
- Positive switching
- DC-13 load
- IEC 61131-2 compliant

Technical data

System data	
Interface	u-remote system bus
Transmission speed of system bus, max.	48 Mbit
Galvanic isolation	500 V DC between the current paths
Supply	
Voltage supply	24 V DC +20 %/-15 %, via the system bus
Current consumption I _{in} (power segment of the field bus coupler), typ.	8 mA
Current consumption from I _{OUT} (the respective power segment)	20 mA + load
Digital outputs	
Number of digital outputs	16
Type	Lamp load, Ohmic, Inductive
Max. response time, high	100 µs
Max. response time, low	250 µs
Output current per channel, max.	500 mA
Output current per module, max.	8000 mA
Switching frequenz max. Resistive load (min. 47 Ω)	1 kHz
Switching frequenz max. Inductive load (DC13)	0.2 Hz
Switching frequenz max. Lamp load (12 W)	1 kHz
Actuator connection	PLC-Interface
Short-circuit-proof	Yes (thermal cut-out)
Feedback-free	Yes
Module diagnosis	Yes
Individual channel diagnosis	No
Switch-off energy (inductive)	< 150 mJ / channel
Response time of the protective circuit (current limiting)	< 100µs
General data	
Weight	85 g
Dimensions H x W x D	120 mm / 11.5 mm / 76 mm
Note	
In case of supply via the ribbon cable, the maximum output current per module is 2 A.	

Ordering data

Module variants	
	Digital output module, 16 channels, PLC interface
Note	

Accessories

	Coding elements
	Termination kit
	Swivel marker
	Connection marker for pusher custom printing
	Connection marker for pusher neutral
	Module marker for custom printing
	Module marker for neutral
	Thermotransfer version (Material: Polyester)
	Thermotransfer version (material: polyester)
	Paper version for Laserprinter
Connector and cable	
	PLC interface element
	Pre-assembled cable, 1m
Replacement parts	
	Electronic module
	Basic module
	Plug-in connector unit
Note	

UR20-16DO-P-PLC-INT

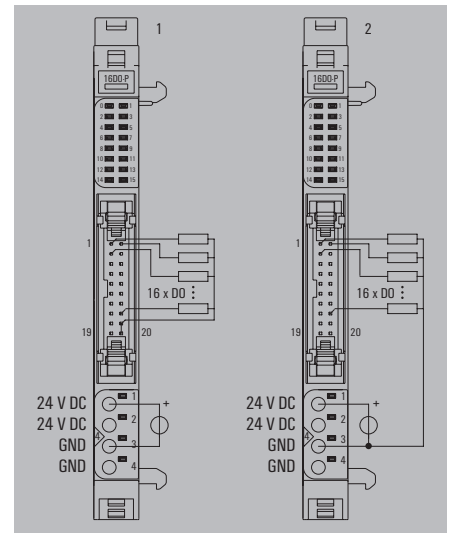


System data		
Interface	u-remote system bus	
Transmission speed of system bus, max.	48 Mbit	
Galvanic isolation	500 V DC between the current paths	
Supply		
Voltage supply	24 V DC +20 %/-15 %, via the system bus	
Current consumption I _{in} (power segment of the field bus coupler), typ.	8 mA	
Current consumption from I _{OUT} (the respective power segment)	20 mA + load	
Digital outputs		
Number of digital outputs	16	
Type	Lamp load, Ohmic, Inductive	
Max. response time, high	100 µs	
Max. response time, low	250 µs	
Output current per channel, max.	500 mA	
Output current per module, max.	8000 mA	
Switching frequenz max. Resistive load (min. 47 Ω)	1 kHz	
Switching frequenz max. Inductive load (DC13)	0.2 Hz	
Switching frequenz max. Lamp load (12 W)	1 kHz	
Actuator connection	PLC-Interface	
Short-circuit-proof	Yes (thermal cut-out)	
Feedback-free	Yes	
Module diagnosis	Yes	
Individual channel diagnosis	No	
Switch-off energy (inductive)	< 150 mJ / channel	
Response time of the protective circuit (current limiting)	< 100µs	
General data		
Weight	85 g	
Dimensions H x W x D	120 mm / 11.5 mm / 76 mm	
Note		
In case of supply via the ribbon cable, the maximum output current per module is 2 A.		

Type	Qty.	Order No.
UR20-16DO-P-PLC-INT	1	1315270000

Type	Qty.	Order No.
KOSM BHZ5.00	100	1483050000
UR20-EBK-ACC	5	1346610000
UR20-SM-ACC	20	1339920000
PM 2.7/2.6 MC SDR	192	1323700000
PM 2.7/2.6 MC NE WS	960	1323710000
DEK 5/8-11.5 MC SDR	100	1341610000
DEK 5/8-11.5 MC NE WS	500	1341630000
THM UR20 GE	1	1429910000
THM UR20 WS	1	1429420000
ESD UR20 DIN A4 WS	10	1429430000
RS 16IO 1W H S	1	9445700000
PAC-UNIV-HE20-LCH-1M	1	7789306010
UR20-EM-1315270000-SP	1	1346740000
UR20-BM-SP	5	1350930000
UR20-PK-1315270000-SP	5	1483940000

1 roll = 1000 label = 1 Qty.
1 sheet = 60 label = 1 Qty.



Product standard	IEC 61131-2
EMC	EN IEC 61000
ATEX	EN 60079
UL	UL 61010-2-201
MSIP	MSIP-REM-WMG-1315270000
CCC	available
EAC	available
ABS (American Bureau of Shipping)	available
BSH (Federal Maritime and Hydrographic Agency)	available
BV (Bureau Veritas)	available
DNV (Det Norske Veritas)	available
LR (Lloyd's Register)	available
RINA (Registro Italiano Navale)	available
KR (Korean Register)	available
NK (Nippon Kaiji Kyokai)	available
PRS (Polish Register of Shipping)	available
RMRoS (Russian Maritime Register of Shipping)	available

You can find the latest information online at www.weidmuller.com

Digital output modules

4DO-N

- 4 digital outputs
- Can be loaded up to 0.5 A per channel
- Short-circuit-proof
- 2-wire, 3-wire, 3-wire+FE connection
- Negative switching
- DC-13 load
- IEC 61131-2 compliant

UR20-4DO-N



Technical data

System data

Interface
Transmission speed of system bus, max.
Galvanic isolation

Supply

Voltage supply
Current consumption I_{in} (power segment of the field bus coupler), typ.
Current consumption from I_{out} (the respective power segment)

Digital outputs

Number of digital outputs
Type
Max. response time, high
Max. response time, low
Output current per channel, max.
Output current per module, max.
Switching frequenz max. Resistive load (min. 47 Ω)
Switching frequenz max. Inductive load (DC13)
Switching frequenz max. Lamp load (12 W)
Actuator connection
Short-circuit-proof
Feedback-free
Module diagnosis
Individual channel diagnosis
Switch-off energy (inductive)
Response time of the protective circuit (current limiting)

General data

Weight
Dimensions H x W x D

Note

u-remote system bus
48 Mbit
500 V DC between the current paths

24 V DC +20 %/-15 %, via the system bus
8 mA
10 mA + load

4
Lamp load, Ohmic, Inductive
100 μs
250 μs
500 mA
2000 mA

1 kHz
2 Hz
10 Hz
2-wire, 3-wire, 3-wire + FE

Yes
Yes
Yes

No
< 150 mJ / channel
< 100 μs

85 g
120 mm / 11.5 mm / 76 mm

Ordering data

Module variants

Digital output module, 4 channels

Note

Accessories

Coding elements
Termination kit
Swivel marker
Connection marker for pusher custom printing
Connection marker for pusher neutral
Module marker for custom printing
Module marker for neutral
Thermotransfer version (Material: Polyester)
Thermotransfer version (material: polyester)
Paper version for Laserprinter

Replacement parts

Electronic module
Basic module
Plug-in connector unit

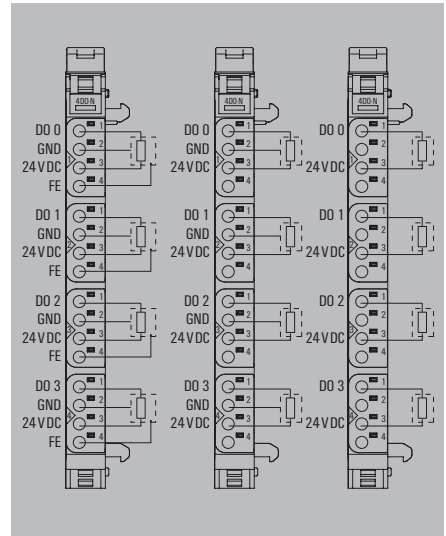
Note

Type	Qty.	Order No.
UR20-4DO-N	1	1315410000

Type	Qty.	Order No.
KOSM BHZ5.00	100	1483050000
UR20-EBK-ACC	5	1346610000
UR20-SM-ACC	20	1339920000
PM 2.7/2.6 MC SDR	192	1323700000
PM 2.7/2.6 MC NE WS	960	1323710000
DEK 5/8-11.5 MC SDR	100	1341610000
DEK 5/8-11.5 MC NE WS	500	1341630000
THM UR20 GE	1	1429910000
THM UR20 WS	1	1429420000
ESD UR20 DIN A4 WS	10	1429430000

UR20-EM-1315410000-SP	1	1346940000
UR20-BM-SP	5	1350930000
UR20-PK-1315410000-SP	5	1559840000

1 roll = 1000 label = 1 Qty.
1 sheet = 60 label = 1 Qty.



Product standard	IEC 61131-2
EMC	EN IEC 61000
ATEX	EN 60079
UL	UL 61010-2-201
MSIP	MSIP-REM-WMG-1315410000
CCC	available
EAC	available
ABS (American Bureau of Shipping)	available
BSH (Federal Maritime and Hydrographic Agency)	available
BV (Bureau Veritas)	available
DNV (Det Norske Veritas)	available
LR (Lloyd's Register)	available
RINA (Registro Italiano Navale)	available
KR (Korean Register)	available
NK (Nippon Kaiji Kyokai)	available
PRS (Polish Register of Shipping)	available
RMRoS (Russian Maritime Register of Shipping)	available

You can find the latest information online at www.weidmuller.com

4DO-N-2A

- 4 digital outputs
- Module can be loaded up to 8 A
- Can be loaded up to 2 A per channel
- Short-circuit-proof
- 2-wire, 3-wire, 3-wire+FE connection
- Negative switching
- DC-13 load
- IEC 61131-2 compliant

UR20-4DO-N-2A



Technical data

System data	
Interface	u-remote system bus
Transmission speed of system bus, max.	48 Mbit
Galvanic isolation	500 V DC between the current paths
Supply	
Voltage supply	24 V DC +20 %/-15 %, via the system bus
Current consumption I _{in} (power segment of the field bus coupler), typ.	8 mA
Current consumption from I _{OUT} (the respective power segment)	10 mA + load
Digital outputs	
Number of digital outputs	4
Type	Lamp load, Ohmic, Inductive
Max. response time, high	100 µs
Max. response time, low	250 µs
Output current per channel, max.	2000 mA
Output current per module, max.	8000 mA
Switching frequenz max. Resistive load (min. 47 Ω)	1 kHz
Switching frequenz max. Inductive load (DC13)	2 Hz
Switching frequenz max. Lamp load (12 W)	10 Hz
Actuator connection	2-wire, 3-wire, 3-wire + FE
Short-circuit-proof	Yes
Feedback-free	Yes
Module diagnosis	Yes
Individual channel diagnosis	No
Switch-off energy (inductive)	< 150 mJ / channel
Response time of the protective circuit (current limiting)	< 100µs
General data	
Weight	87 g
Dimensions H x W x D	120 mm / 11.5 mm / 76 mm
Note	

Type	Qty.	Order No.
UR20-4DO-N-2A	1	1315420000

Ordering data

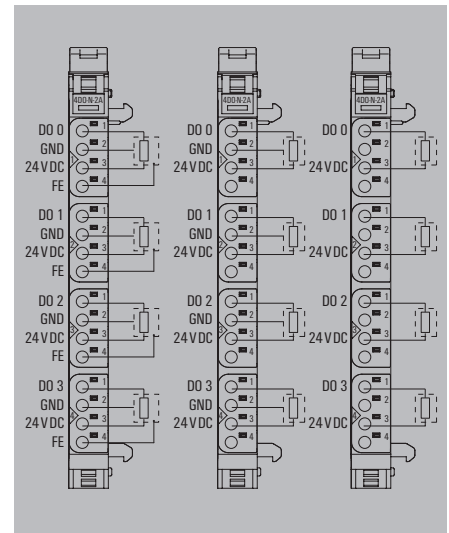
Module variants	
	Digital output module, 4 channels, 2 A
Note	

Accessories

	Coding elements
	Termination kit
	Swivel marker
	Connection marker for pusher custom printing
	Connection marker for pusher neutral
	Module marker for custom printing
	Module marker for neutral
	Thermotransfer version (Material: Polyester)
	Thermotransfer version (material: polyester)
	Paper version for Laserprinter
Replacement parts	
	Electronic module
	Basic module
	Plug-in connector unit
Note	

Type	Qty.	Order No.
KOSM BHZ5.00	100	1483050000
UR20-EBK-ACC	5	1346610000
UR20-SM-ACC	20	1339920000
PM 2.7/2.6 MC SDR	192	1323700000
PM 2.7/2.6 MC NE WS	960	1323710000
DEK 5/8-11.5 MC SDR	100	1341610000
DEK 5/8-11.5 MC NE WS	500	1341630000
THM UR20 GE	1	1429910000
THM UR20 WS	1	1429420000
ESD UR20 DIN A4 WS	10	1429430000
UR20-EM-1315420000-SP	1	1346950000
UR20-BM-SP	5	1350930000
UR20-PK-1315420000-SP	5	1559850000

1 roll = 1000 label = 1 Qty.
1 sheet = 60 label = 1 Qty.



Product standard	IEC 61131-2
EMC	EN IEC 61000
ATEX	EN 60079
UL	UL 61010-2-201
MSIP	MSIP-REM-WMG-1315420000
CCC	available
EAC	available
ABS (American Bureau of Shipping)	available
BSH (Federal Maritime and Hydrographic Agency)	available
BV (Bureau Veritas)	available
DNV (Det Norske Veritas)	available
LR (Lloyd's Register)	available
RINA (Registro Italiano Navale)	available
KR (Korean Register)	available
NK (Nippon Kaiji Kyokai)	available
PRS (Polish Register of Shipping)	available
RMRoS (Russian Maritime Register of Shipping)	available

You can find the latest information online at www.weidmuller.com

Digital output modules

8DO-N

- 8 digital outputs
- Can be loaded up to 0.5 A per channel
- Short-circuit-proof
- 2-wire connection
- Negative switching
- DC-13 load
- IEC 61131-2 compliant

UR20-8DO-N



Technical data

System data	
Interface	u-remote system bus
Transmission speed of system bus, max.	48 Mbit
Galvanic isolation	500 V DC between the current paths
Supply	
Voltage supply	24 V DC +20 %/ -15 %, via the system bus
Current consumption I_{in} (power segment of the field bus coupler), typ.	8 mA
Current consumption from I_{out} (the respective power segment)	15 mA + load
Digital outputs	
Number of digital outputs	8
Type	Lamp load, Ohmic, Inductive
Max. response time, high	100 μ s
Max. response time, low	250 μ s
Output current per channel, max.	500 mA
Output current per module, max.	4000 mA
Switching frequenz max. Resistive load (min. 47 Ω)	1 kHz
Switching frequenz max. Inductive load (DC13)	2 Hz
Switching frequenz max. Lamp load (12 W)	10 Hz
Actuator connection	2-wire
Short-circuit-proof	Yes
Feedback-free	Yes
Module diagnosis	Yes
Individual channel diagnosis	No
Switch-off energy (inductive)	< 150 mJ / channel
Response time of the protective circuit (current limiting)	< 100 μ s
General data	
Weight	86.4 g
Dimensions H x W x D	120 mm / 11.5 mm / 76 mm
Note	

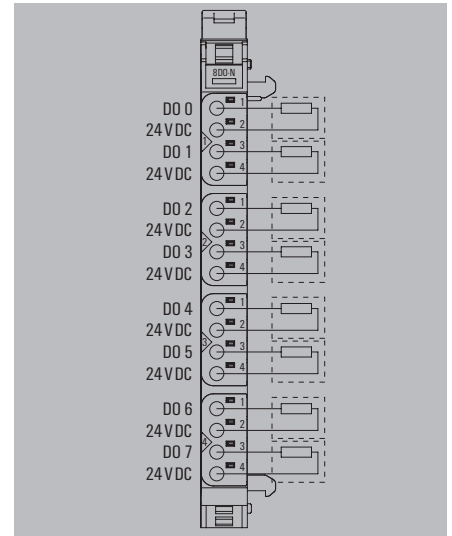
Ordering data

Module variants	
	Digital output module, 8 channels
Note	

Accessories

	Coding elements
	Termination kit
	Swivel marker
	Connection marker for pusher custom printing
	Connection marker for pusher neutral
	Module marker for custom printing
	Module marker for neutral
	Thermotransfer version (Material: Polyester)
	Thermotransfer version (material: polyester)
	Paper version for Laserprinter
Replacement parts	
	Electronic module
	Basic module
	Plug-in connector unit
Note	

	u-remote system bus
	48 Mbit
	500 V DC between the current paths
	24 V DC +20 %/ -15 %, via the system bus
	8 mA
	15 mA + load
	8
	Lamp load, Ohmic, Inductive
	100 μ s
	250 μ s
	500 mA
	4000 mA
	1 kHz
	2 Hz
	10 Hz
	2-wire
	Yes
	Yes
	Yes
	No
	< 150 mJ / channel
	< 100 μ s
	86.4 g
	120 mm / 11.5 mm / 76 mm
Type	
	UR20-8DO-N
Qty.	
	1
Order No.	
	1315430000
Type	
	KOSM BHZ5.00
	100
	1483050000
	UR20-EBK-ACC
	5
	1346610000
	UR20-SM-ACC
	20
	1339920000
	PM 2.7/2.6 MC SDR
	192
	1323700000
	PM 2.7/2.6 MC NE WS
	960
	1323710000
	DEK 5/8-11.5 MC SDR
	100
	1341610000
	DEK 5/8-11.5 MC NE WS
	500
	1341630000
	THM UR20 GE
	1
	1429910000
	THM UR20 WS
	1
	1429420000
	ESD UR20 DIN A4 WS
	10
	1429430000
Type	
	UR20-EM-1315430000-SP
	1
	1346970000
	UR20-BM-SP
	5
	1350930000
	UR20-PK-1315430000-SP
	5
	1984770000
	1 roll = 1000 label = 1 Qty.
	1 sheet = 60 label = 1 Qty.



Product standard	IEC 61131-2
EMC	EN IEC 61000
ATEX	EN 60079
UL	UL 61010-2-201
MSIP	MSIP-REM-WMG-1315430000
CCC	available
EAC	available
ABS (American Bureau of Shipping)	available
BSH (Federal Maritime and Hydrographic Agency)	available
BV (Bureau Veritas)	available
DNV (Det Norske Veritas)	available
LR (Lloyd's Register)	available
RINA (Registro Italiano Navale)	available
KR (Korean Register)	available
NK (Nippon Kaiji Kyokai)	available
PRS (Polish Register of Shipping)	available
RMRoS (Russian Maritime Register of Shipping)	available
You can find the latest information online at www.weidmuller.com	

16DO-N

- 16 digital outputs
- Can be loaded up to 0.5 A per channel
- Short-circuit-proof
- 1-wire connection
- Negative switching
- DC-13 load
- IEC 61131-2 compliant

Technical data

System data	
Interface	u-remote system bus
Transmission speed of system bus, max.	48 Mbit
Galvanic isolation	500 V DC between the current paths
Supply	
Voltage supply	24 V DC +20 %/-15 %, via the system bus
Current consumption I _{in} (power segment of the field bus coupler), typ.	8 mA
Current consumption from I _{out} (the respective power segment)	40 mA
Digital outputs	
Number of digital outputs	16
Type	Lamp load, Ohmic, Inductive
Max. response time, high	100 µs
Max. response time, low	250 µs
Output current per channel, max.	500 mA
Output current per module, max.	8000 mA
Switching frequenz max. Resistive load (min. 47 Ω)	1 kHz
Switching frequenz max. Inductive load (DC13)	0.2 Hz
Switching frequenz max. Lamp load (12 W)	10 Hz
Actuator connection	Single-conductor
Short-circuit-proof	Yes (thermal cut-out)
Feedback-free	Yes
Module diagnosis	Yes
Individual channel diagnosis	No
Switch-off energy (inductive)	< 150 mJ / channel
Response time of the protective circuit (current limiting)	< 100µs
General data	
Weight	87 g
Dimensions H x W x D	120 mm / 11.5 mm / 76 mm
Note	

Ordering data

Module variants	
	Digital output module, 16 channels
Note	

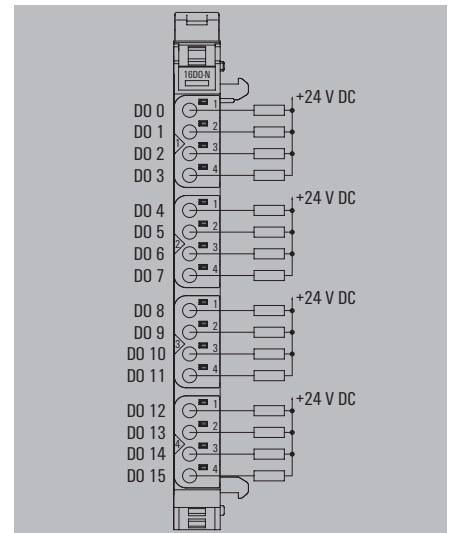
Accessories

	Coding elements
	Termination kit
	Swivel marker
	Connection marker for pusher custom printing
	Connection marker for pusher neutral
	Module marker for custom printing
	Module marker for neutral
	Thermotransfer version (Material: Polyester)
	Thermotransfer version (material: polyester)
	Paper version for Laserprinter
Replacement parts	
	Electronic module
	Basic module
	Plug-in connector unit
Note	

UR20-16DO-N



Type		
UR20-16DO-N	Qty. 1	Order No. 1315440000
Type		
KOSM BHZ5.00	Qty. 100	Order No. 1483050000
UR20-EBK-ACC	Qty. 5	Order No. 1346610000
UR20-SM-ACC	Qty. 20	Order No. 1339920000
PM 2.7/2.6 MC SDR	Qty. 192	Order No. 1323700000
PM 2.7/2.6 MC NE WS	Qty. 960	Order No. 1323710000
DEK 5/8-11.5 MC SDR	Qty. 100	Order No. 1341610000
DEK 5/8-11.5 MC NE WS	Qty. 500	Order No. 1341630000
THM UR20 GE	Qty. 1	Order No. 1429910000
THM UR20 WS	Qty. 1	Order No. 1429420000
ESD UR20 DIN A4 WS	Qty. 10	Order No. 1429430000
Type		
UR20-EM-1315440000-SP	Qty. 1	Order No. 1346980000
UR20-BM-SP	Qty. 5	Order No. 1350930000
UR20-PK-1315440000-SP	Qty. 5	Order No. 2000520000
1 roll = 1000 label = 1 Qty. 1 sheet = 60 label = 1 Qty.		



Product standard	IEC 61131-2
EMC	EN IEC 61000
ATEX	EN 60079
UL	UL 61010-2-201
MSIP	MSIP-REM-WMG-1315440000
CCC	available
EAC	available
ABS (American Bureau of Shipping)	available
BSH (Federal Maritime and Hydrographic Agency)	available
BV (Bureau Veritas)	available
DNV (Det Norske Veritas)	available
LR (Lloyd's Register)	available
RINA (Registro Italiano Navale)	available
KR (Korean Register)	available
NK (Nippon Kaiji Kyokai)	available
PRS (Polish Register of Shipping)	available
RMRoS (Russian Maritime Register of Shipping)	available
You can find the latest information online at www.weidmuller.com	

Digital output modules

16DO-N-PLC-INT

- 16 digital outputs
- Can be loaded up to 0.5 A per channel
- Short-circuit-proof
- For connecting a PLC interface element
- Negative switching
- DC-13 load
- IEC 61131-2 compliant

Technical data

System data	
Interface	u-remote system bus
Transmission speed of system bus, max.	48 Mbit
Galvanic isolation	500 V DC between the current paths
Supply	
Voltage supply	24 V DC +20 %/-15 %, via the system bus
Current consumption I_{in} (power segment of the field bus coupler), typ.	8 mA
Current consumption from I_{out} (the respective power segment)	30 mA
Digital outputs	
Number of digital outputs	16
Type	Lamp load, Ohmic, Inductive
Max. response time, high	100 μ s
Max. response time, low	250 μ s
Output current per channel, max.	500 mA
Output current per module, max.	8000 mA
Switching frequenz max. Resistive load (min. 47 Ω)	1 kHz
Switching frequenz max. Inductive load (DC13)	0.2 Hz
Switching frequenz max. Lamp load (12 W)	10 Hz
Actuator connection	PLC-Interface
Short-circuit-proof	Yes (thermal cut-out)
Feedback-free	Yes
Module diagnosis	Yes
Individual channel diagnosis	No
Switch-off energy (inductive)	< 150 mJ / channel
Response time of the protective circuit (current limiting)	< 100 μ s
General data	
Weight	87 g
Dimensions H x W x D	120 mm / 11.5 mm / 76 mm
Note	

Ordering data

Module variants	
Digital output module, 16 channels, PLC interface	
Note	

Accessories

Coding elements	
Termination kit	
Swivel marker	
Connection marker for pusher custom printing	
Connection marker for pusher neutral	
Module marker for custom printing	
Module marker for neutral	
Thermotransfer version (Material: Polyester)	
Thermotransfer version (material: polyester)	
Paper version for Laserprinter	
Connector and cable	
PLC interface element	
Pre-assembled cable, 1m	
Replacement parts	
Electronic module	
Basic module	
Plug-in connector unit	
Note	

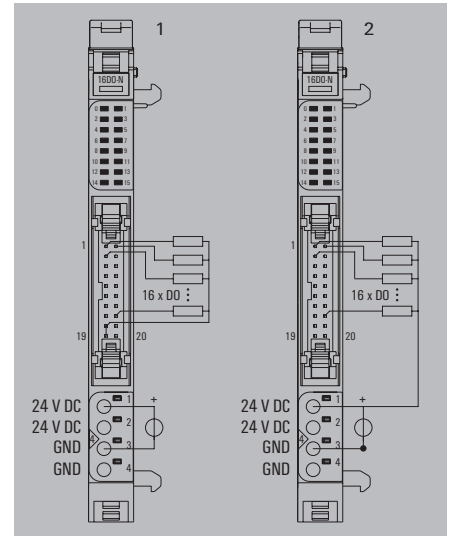
UR20-16DO-N-PLC-INT



Interface	u-remote system bus
Transmission speed of system bus, max.	48 Mbit
Galvanic isolation	500 V DC between the current paths
Supply	
Voltage supply	24 V DC +20 %/-15 %, via the system bus
Current consumption I_{in} (power segment of the field bus coupler), typ.	8 mA
Current consumption from I_{out} (the respective power segment)	30 mA
Digital outputs	
Number of digital outputs	16
Type	Lamp load, Ohmic, Inductive
Max. response time, high	100 μ s
Max. response time, low	250 μ s
Output current per channel, max.	500 mA
Output current per module, max.	8000 mA
Switching frequenz max. Resistive load (min. 47 Ω)	1 kHz
Switching frequenz max. Inductive load (DC13)	0.2 Hz
Switching frequenz max. Lamp load (12 W)	10 Hz
Actuator connection	PLC-Interface
Short-circuit-proof	Yes (thermal cut-out)
Feedback-free	Yes
Module diagnosis	Yes
Individual channel diagnosis	No
Switch-off energy (inductive)	< 150 mJ / channel
Response time of the protective circuit (current limiting)	< 100 μ s
General data	
Weight	87 g
Dimensions H x W x D	120 mm / 11.5 mm / 76 mm
Note	

Type	Qty.	Order No.
UR20-16DO-N-PLC-INT	1	1315450000

Type	Qty.	Order No.
KOSM BHZ5.00	100	1483050000
UR20-EBK-ACC	5	1346610000
UR20-SM-ACC	20	1339920000
PM 2.7/2.6 MC SDR	192	1323700000
PM 2.7/2.6 MC NE WS	960	1323710000
DEK 5/8-11.5 MC SDR	100	1341610000
DEK 5/8-11.5 MC NE WS	500	1341630000
THM UR20 GE	1	1429910000
THM UR20 WS	1	1429420000
ESD UR20 DIN A4 WS	10	1429430000
Connector and cable		
RS 16IO 1W H S	1	9445700000
PAC-UNIV-HE20-LCH-1M	1	7789306010
Replacement parts		
UR20-EM-1315450000-SP	1	1346990000
UR20-BM-SP	5	1350930000
UR20-PK-1315450000-SP	5	2000540000
1 roll = 1000 label = 1 Qty. 1 sheet = 60 label = 1 Qty.		



Product standard	IEC 61131-2
EMC	EN IEC 61000
ATEX	EN 60079
UL	UL 61010-2-201
MSIP	MSIP-REM-WMG-1315450000
CCC	available
EAC	available
ABS (American Bureau of Shipping)	available
BSH (Federal Maritime and Hydrographic Agency)	available
BV (Bureau Veritas)	available
DNV (Det Norske Veritas)	available
LR (Lloyd's Register)	available
RINA (Registro Italiano Navale)	available
KR (Korean Register)	available
NK (Nippon Kaiji Kyokai)	available
PRS (Polish Register of Shipping)	available
RMRoS (Russian Maritime Register of Shipping)	available
You can find the latest information online at www.weidmuller.com	

4DO-ISO-4A

- 4 digital outputs
- Insulation up to 500 V
- Can be loaded up to 4 A per channel
- Short-circuit-proof
- 2-wire connection
- IEC 61131-2 compliant

UR20-4DO-ISO-4A



Technical data

System data	
Interface	u-remote system bus
Transmission speed of system bus, max.	48 Mbit
Galvanic isolation	500 V DC between the current paths
Supply	
Voltage supply	24 V DC +20 %/-15 %, via the system bus
Current consumption I _{in} (power segment of the field bus coupler), typ.	8 mA
Current consumption from I _{OUT} (the respective power segment)	30 mA
Digital outputs	
Number of digital outputs	4
Type	Lamp load, Ohmic, Inductive
Max. response time, high	250 µs
Max. response time, low	250 µs
Output current per channel, max.	4 A DC / 2 A AC
Output current per module, max.	16 A DC / 8 A AC
Switching frequenz max. Resistive load (min. 47 Ω)	1 kHz
Switching frequenz max. Inductive load (DC13)	2 Hz
Switching frequenz max. Lamp load (12 W)	10 Hz
Actuator connection	2-wire
Short-circuit-proof	Yes
Feedback-free	Yes
Module diagnosis	Yes
Individual channel diagnosis	No
Switch-off energy (inductive)	< 150 mJ / channel
Response time of the protective circuit (current limiting)	< 100µs
General data	
Weight	91 g
Dimensions H x W x D	120 mm / 11.5 mm / 76 mm
Note	

Ordering data

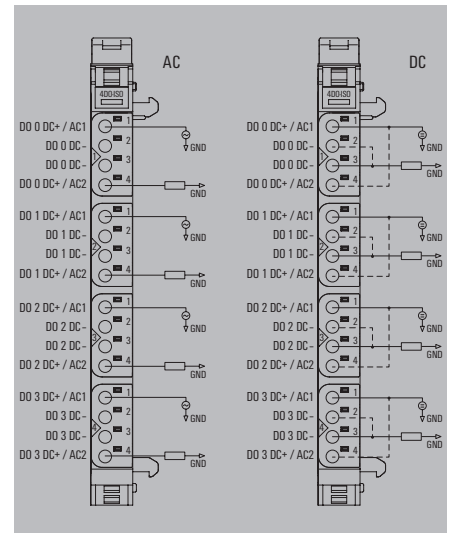
Module variants	
Digital output module, 4 channels, isolated	
Note	

Accessories

Coding elements	
Termination kit	
Swivel marker	
Connection marker for pusher custom printing	
Connection marker for pusher neutral	
Module marker for custom printing	
Module marker for neutral	
Thermotransfer version (Material: Polyester)	
Thermotransfer version (material: polyester)	
Paper version for Laserprinter	
Replacement parts	
Basic module	
Electronic module	
Plug-in connector unit	
Note	

Type	Qty.	Order No.
UR20-4DO-ISO-4A	1	2457250000

Type	Qty.	Order No.
KOSM BHZ5.00	100	1483050000
UR20-EBK-ACC	5	1346610000
UR20-SM-ACC	20	1339920000
PM 2.7/2.6 MC SDR	192	1323700000
PM 2.7/2.6 MC NE WS	960	1323710000
DEK 5/8-11.5 MC SDR	100	1341610000
DEK 5/8-11.5 MC NE WS	500	1341630000
THM UR20 GE	1	1429910000
THM UR20 WS	1	1429420000
ESD UR20 DIN A4 WS	10	1429430000
UR20-BM-SP	5	1350930000
UR20-EM-2457250000-SP	1	2545790000
UR20-PK-2457250000-SP	5	2545770000



Product standard	IEC 61131-2
EMC	EN IEC 61000
ATEX	EN 60079
UL	UL 61010-2-201
MSIP	MSIP-REM-WMG-2457250000
CCC	available
EAC	available
ABS (American Bureau of Shipping)	not available
BSH (Federal Maritime and Hydrographic Agency)	available
BV (Bureau Veritas)	available
DNV (Det Norske Veritas)	available
LR (Lloyd's Register)	available
RINA (Registro Italiano Navale)	not available
KR (Korean Register)	not available
NK (Nippon Kaiji Kyokai)	not available
PRS (Polish Register of Shipping)	not available
RMRoS (Russian Maritime Register of Shipping)	not available

You can find the latest information online at www.weidmuller.com

Digital output modules

4RO-SSR-255

- 4 digital outputs
- Can be loaded up to 1 A per channel
- Solid state relay

UR20-4RO-SSR-255



Technical data

System data

Interface
Transmission speed of system bus, max.
Galvanic isolation

Supply

Voltage supply
Current consumption I_{in} (power segment of the field bus coupler), typ.
Current consumption from I_{out} (the respective power segment)

Digital outputs

Number
Type
Max. response time, high
Max. response time, low
Output current per channel, max.
Output current per module, max.
Max. switching frequency
Short-circuit-proof
Feedback-free
Switching voltage, max.
Module diagnosis
Individual channel diagnosis

General data

Weight
Dimensions H x W x D

Note

u-remote system bus
48 Mbit
500 V DC between the current paths

24 V DC +20 %/-15 %, via the system bus
8 mA
< 15 mA

4
SSR / Triac
10 ms
10 ms
1 A
4 A
20 Hz
No
Yes
255 V AC, UL: 277 V AC
Yes
No

85 g
120 mm / 11.5 mm / 76 mm

Ordering data

Module variants

Digital output module, 4 channels, SSR

Note

Type	Qty.	Order No.
UR20-4RO-SSR-255	1	1315540000

Accessories

Coding elements
Termination kit
Swivel marker
Connection marker for pusher custom printing
Connection marker for pusher neutral
Module marker for custom printing
Module marker for neutral
Thermotransfer version (Material: Polyester)
Thermotransfer version (material: polyester)
Paper version for Laserprinter

Replacement parts

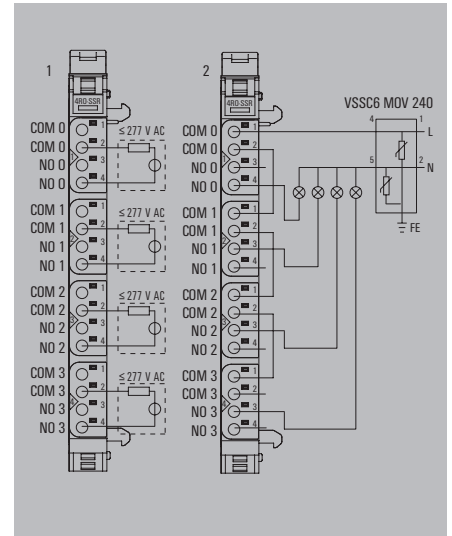
Electronic module
Basic module
Plug-in connector unit

Note

Type	Qty.	Order No.
KOSM BHZ5.00	100	1483050000
UR20-EBK-ACC	5	1346610000
UR20-SM-ACC	20	1339920000
PM 2.7/2.6 MC SDR	192	1323700000
PM 2.7/2.6 MC NE WS	960	1323710000
DEK 5/8-11.5 MC SDR	100	1341610000
DEK 5/8-11.5 MC NE WS	500	1341630000
THM UR20 GE	1	1429910000
THM UR20 WS	1	1429420000
ESD UR20 DIN A4 WS	10	1429430000

UR20-EM-1315540000-SP	1	1347120000
UR20-BM-SP	5	1350930000
UR20-PK-1315540000-SP	5	1484000000

1 roll = 1000 label = 1 Qty.
1 sheet = 60 label = 1 Qty.



Product standard	IEC 61131-2
EMC	EN IEC 61000
ATEX	EN 60079
UL	UL 61010-2-201
MSIP	MSIP-REM-WMG-1315540000
CCC	available
EAC	available
ABS (American Bureau of Shipping)	available
BSH (Federal Maritime and Hydrographic Agency)	available
BV (Bureau Veritas)	available
DNV (Det Norske Veritas)	available
LR (Lloyd's Register)	available
RINA (Registro Italiano Navale)	available
KR (Korean Register)	available
NK (Nippon Kaiji Kyokai)	available
PRS (Polish Register of Shipping)	available
RMRoS (Russian Maritime Register of Shipping)	available

You can find the latest information online at www.weidmuller.com

4RO-CO-255

- 4 digital outputs
- Can be loaded up to 6 A per channel
- Relay output, change-over contact
- Switching voltage 277 V AC/DC

UR20-4RO-CO-255



Technical data

System data	
Interface	u-remote system bus
Transmission speed of system bus, max.	48 Mbit
Galvanic isolation	500 V DC between the current paths
Supply	
Voltage supply	24 V DC +20 %/-15 %, via the system bus
Current consumption I _{in} (power segment of the field bus coupler), typ.	8 mA
Current consumption from I _{OUT} (the respective power segment)	< 15 mA
Digital outputs	
Number	4
Type	CO contact
Max. response time, high	20 ms
Max. response time, low	20 ms
Output current per channel, max.	6 A
Output current per module, max.	24 A
Max. switching frequency	5 Hz
Short-circuit-proof	No
Feedback-free	Yes
Switching voltage, max.	255 V AC, UL: 277 V AC, DC
Module diagnosis	Yes
Individual channel diagnosis	No
General data	
Weight	119 g
Dimensions H x W x D	120 mm / 11.5 mm / 76 mm
Note	
Note temperature derating!	

Ordering data

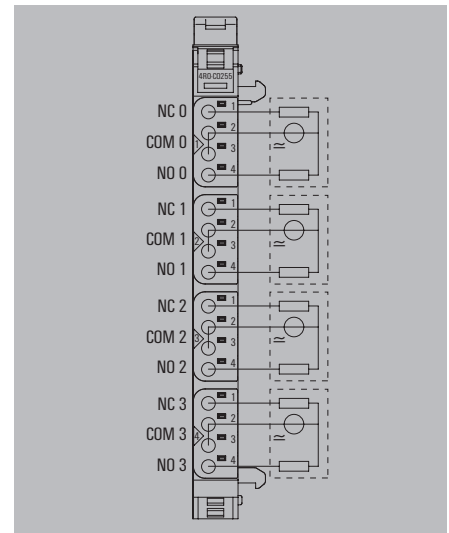
Module variants	
	Digital output module, 4 channels, relay
Note	

Accessories

Coding elements	
Termination kit	
Swivel marker	
Connection marker for pusher custom printing	
Connection marker for pusher neutral	
Module marker for custom printing	
Module marker for neutral	
Thermotransfer version (Material: Polyester)	
Thermotransfer version (material: polyester)	
Paper version for Laserprinter	
Replacement parts	
Electronic module	
Basic module	
Plug-in connector unit	
Note	

Type	Qty.	Order No.
UR20-4RO-CO-255	1	1315550000

Type	Qty.	Order No.
KOSM BHZ5.00	100	1483050000
UR20-EBK-ACC	5	1346610000
UR20-SM-ACC	20	1339920000
PM 2.7/2.6 MC SDR	192	1323700000
PM 2.7/2.6 MC NE WS	960	1323710000
DEK 5/8-11.5 MC SDR	100	1341610000
DEK 5/8-11.5 MC NE WS	500	1341630000
THM UR20 GE	1	1429910000
THM UR20 WS	1	1429420000
ESD UR20 DIN A4 WS	10	1429430000
UR20-EM-1315550000-SP	1	1347130000
UR20-BM-SP	5	1350930000
UR20-PK-1315550000-SP	5	1346500000
1 roll = 1000 label = 1 Qty. 1 sheet = 60 label = 1 Qty.		



Product standard	IEC 61131-2
EMC	EN IEC 61000
ATEX	EN 60079
UL	UL 61010-2-201
MSIP	MSIP-REM-WMG-1315550000
CCC	available
EAC	available
ABS (American Bureau of Shipping)	available
BSH (Federal Maritime and Hydrographic Agency)	available
BV (Bureau Veritas)	available
DNV (Det Norske Veritas)	available
LR (Lloyd's Register)	available
RINA (Registro Italiano Navale)	available
KR (Korean Register)	available
NK (Nippon Kaiji Kyokai)	available
PRS (Polish Register of Shipping)	available
RMRoS (Russian Maritime Register of Shipping)	available
You can find the latest information online at www.weidmuller.com	

Digital input and output modules

8 universally switchable digital inputs/outputs

The automation of machines and plants is usually planned in great detail. The aim is to ensure smooth commissioning and error-free operation. If unexpected changes nevertheless occur, a flexible automation infrastructure is a great advantage.

C u-remote UR20-8DIO-P-3W-DIAG is a universally applicable digital I/O module in which each individual channel can be parameterised independently as an input or output. Sensors and actuators can be connected to the same module, which reduces the number of modules per I/O station.

In addition, subsequent changes to the system can be made by reconfiguring the system. Adjustable individual channel diagnoses for inputs and outputs increase the transparency of the device or system status.

The digital input or output module provides 8 channels, each of which can be configured as an input or output. Up to 2 sensors or actuators can be connected to each plug-in connector in 2-wire or 3-wire connection. The inputs are designed as type 1 and 3 according to IEC61131-2. The sensor supply is limited to 0.3 A per connecting plug and is equipped with an individual channel diagnosis. For the outputs, the individual channel diagnosis monitors switched-on outputs for overload and switched-off outputs for load (line break detection). The short-circuit-proof outputs have a max. output current of 0.5 A at 24 V DC.

UR20-8DIO-P-3W-DIAG



8DIO-P-3W-DIAG

- 8 digital inputs and 8 digital outputs
- Overcurrent monitoring and electronic protection
- Overload monitoring
- Line break detection
- 2-wire, 3-wire connection

Technical data

System data	
Interface	u-remote system bus
Transmission speed of system bus, max.	48 Mbit
Galvanic isolation	500 V DC between the current paths
Supply	
Voltage supply	24 V DC +20 %/-15 %, via the system bus
Current consumption I _{in} (power segment of the field bus coupler), typ.	8 mA
Current consumption from I _{OUT} (the respective power segment)	32 mA + I-Last
Digital inputs	
Number of digital inputs	8
Input type	P-switching, for Type 1 and Type 3 sensors as per IEC 61131-2
Input filter	Input delay adjustable from 0 to 40 ms
Input voltage, low	< + 5 V referred to 0 V of the output power supply U _{OUT}
Input voltage, high	> + 11 V referred to 0 V of the output power supply U _{OUT}
Sensor supply	≥ 0.3 A per connector, limited electronically
Sensor connection	2-wire, 3-wire
Reverse polarity protection	No, Input voltage below -10 V can destroy the module
Module diagnosis	Yes
Individual channel diagnosis	only auxiliary voltage output
Digital outputs	
Number of digital outputs	8
Type	PNP switched
Output current per channel, max.	0.5 A
Output current per module, max.	4 A
Switching frequenz max. Resistive load (min. 47 Ω)	1 kHz
Switching frequenz max. Inductive load (DC13)	0.2 Hz
Switching frequenz max. Lamp load (12 W)	10 Hz
Actuator connection	2-wire, 3-wire
Short-circuit-proof / Feedback-free	Yes / Yes
Individual channel diagnosis	Yes, Overcurrent monitoring > 0.5 A, line break detection
Switch-off energy (inductive)	< 150 mJ / channel
Response time of the protective circuit (current limiting)	< 100µs
General data	
Weight	83 g
Dimensions H x W x D	120 mm / 11.5 mm / 76 mm
Note	

Ordering data

Module variants	
	Digital input and output module, 8 channels
Note	

Accessories

	Coding elements
	Termination kit
	Swivel marker
	Connection marker for pusher custom printing
	Connection marker for pusher neutral
	Module marker for custom printing
	Module marker for neutral
	Thermotransfer version (Material: Polyester)
	Thermotransfer version (material: polyester)
	Paper version for Laserprinter
Replacement parts	
	Electronic module
	Basic module
	Plug-in connector unit
Note	

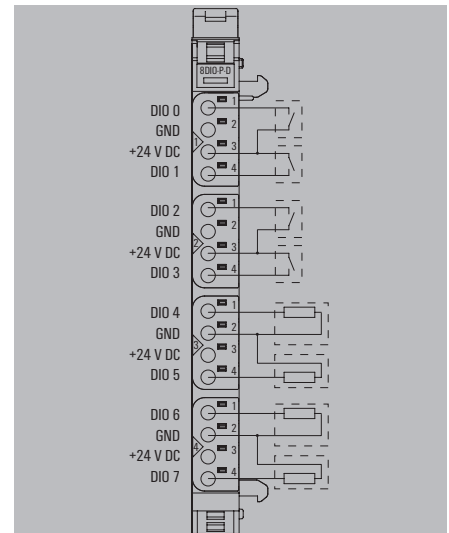
UR20-8DIO-P-3W-DIAG



System data		
Interface	u-remote system bus	
Transmission speed of system bus, max.	48 Mbit	
Galvanic isolation	500 V DC between the current paths	
Supply		
Voltage supply	24 V DC +20 %/-15 %, via the system bus	
Current consumption I _{in} (power segment of the field bus coupler), typ.	8 mA	
Current consumption from I _{OUT} (the respective power segment)	32 mA + I-Last	
Digital inputs		
Number of digital inputs	8	
Input type	P-switching, for Type 1 and Type 3 sensors as per IEC 61131-2	
Input filter	Input delay adjustable from 0 to 40 ms	
Input voltage, low	< + 5 V referred to 0 V of the output power supply U _{OUT}	
Input voltage, high	> + 11 V referred to 0 V of the output power supply U _{OUT}	
Sensor supply	≥ 0.3 A per connector, limited electronically	
Sensor connection	2-wire, 3-wire	
Reverse polarity protection	No, Input voltage below -10 V can destroy the module	
Module diagnosis	Yes	
Individual channel diagnosis	only auxiliary voltage output	
Digital outputs		
Number of digital outputs	8	
Type	PNP switched	
Output current per channel, max.	0.5 A	
Output current per module, max.	4 A	
Switching frequenz max. Resistive load (min. 47 Ω)	1 kHz	
Switching frequenz max. Inductive load (DC13)	0.2 Hz	
Switching frequenz max. Lamp load (12 W)	10 Hz	
Actuator connection	2-wire, 3-wire	
Short-circuit-proof / Feedback-free	Yes / Yes	
Individual channel diagnosis	Yes, Overcurrent monitoring > 0.5 A, line break detection	
Switch-off energy (inductive)	< 150 mJ / channel	
Response time of the protective circuit (current limiting)	< 100µs	
General data		
Weight	83 g	
Dimensions H x W x D	120 mm / 11.5 mm / 76 mm	
Note		

Type	Qty.	Order No.
UR20-8DIO-P-3W-DIAG	1	2456530000

Type	Qty.	Order No.
KOSM BHZ5.00	100	1483050000
UR20-EBK-ACC	5	1346610000
UR20-SM-ACC	20	1339920000
PM 2.7/2.6 MC SDR	192	1323700000
PM 2.7/2.6 MC NE WS	960	1323710000
DEK 5/8-11.5 MC SDR	100	1341610000
DEK 5/8-11.5 MC NE WS	500	1341630000
THM UR20 GE	1	1429910000
THM UR20 WS	1	1429420000
ESO UR20 DIN A4 WS	10	1429430000
Replacement parts		
UR20-EM-2456530000-SP	1	2593330000
UR20-BM-SP	5	1350930000
UR20-PK-2456530000-SP	5	2593320000



Product standard	IEC 61131-2
EMC	EN IEC 61000
ATEX	EN 60079
UL	UL 61010-2-201
MSIP	MSIP-REM-WMG-2456530000
CCC	available
EAC	available
ABS (American Bureau of Shipping)	not available
BSH (Federal Maritime and Hydrographic Agency)	available
BV (Bureau Veritas)	available
DNV (Det Norske Veritas)	available
LR (Lloyd's Register)	available
RINA (Registro Italiano Navale)	available
KR (Korean Register)	not available
NK (Nippon Kaiji Kyokai)	not available
PRS (Polish Register of Shipping)	not available
RMRoS (Russian Maritime Register of Shipping)	not available

You can find the latest information online at www.weidmuller.com

Pulse width modulation and stepper motor modules

As part of the u-remote system, Weidmüller offers a specialised solution for controlling small motors with a current requirement of 0.5 A to 2 A, which can also be used to control valve flaps. The pulse width modulation modules can be adjusted within the switching frequencies up to 40 kHz and the modules can also be switched in the motor control with the aid of push/pull output stages, e.g. to change the direction of rotation.

C

Weidmüller's stepper motor module is efficient and flexible for use in the automation of robots, handling systems or placement machines with stepper motors. Variably adjustable operating parameters as well as a wide range supply from 12 V DC to 50 V DC make the module flexibly applicable for various target applications. Six integrated, parameterizable encoder or digital inputs and two digital outputs with 0.5 A make the control module a complete solution in the smallest of spaces.

The module electronics supplies the connected actuators from the output current path (U_{OUT}).

UR20-2PWM-PN-0.5A



UR20-2PWM-PN-2A



UR20-1SM-50W-6DI2DO-P



2PWM-PN-0.5A

- 2 pulse width modulation module outputs
- Can be loaded up to 0.5 A per channel
- Short-circuit-proof
- Push/pull output
- Maximum 40 kHz output frequency (adjustable)

Technical data

System data	
Interface	u-remote system bus
Transmission speed of system bus, max.	48 Mbit
Galvanic isolation	500 V DC between the current paths
Supply	
Voltage supply	24 V DC +20 %/- 15 %, via the system bus
Current consumption I _{in} (power segment of the field bus coupler), typ.	8 mA
Current consumption from I _{OUT} (the respective power segment)	40 mA
Digital outputs	
Number of digital outputs	2
Type	DO PWM push / pull
Resolution	32 Bit
Accuracy	1 Bit
Max. response time, high	100 ns
Max. response time, low	100 ns
Output current per channel, max.	500 mA
Output current per module, max.	1000 mA
Switching frequency, resistive load	Static, 6 Hz ... 40 kHz
Switching frequency, inductive load	Static, 6 Hz ... 40 kHz
Switching frequency, lamp load	Static, 6 Hz ... 40 kHz
Actuator connection	2-wire, 3-wire, 3-wire + FE
Short-circuit-proof	Yes
Module diagnosis	Yes
Individual channel diagnosis	No
Feedback-free	Yes
Pulse duty factor	0--100% push/pull or push, parameterisable
General data	
Weight	85 g
Dimensions H x W x D	120 mm / 11.5 mm / 76 mm
Note	

Ordering data

Module variants	
	Digital output module, PWM, 2 channels, 0.5 A
Note	

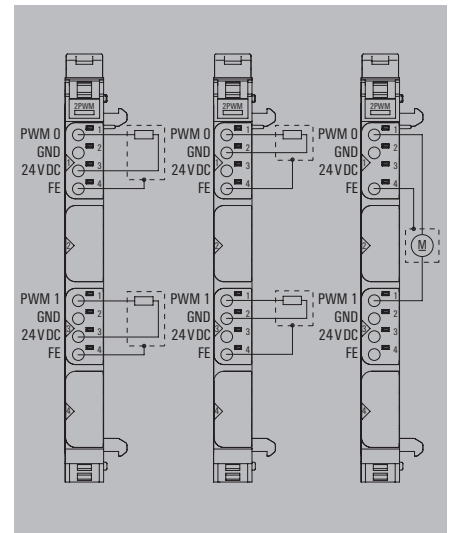
Accessories

	Coding elements
	Termination kit
	Swivel marker
Connection marker for pusher custom printing	
Connection marker for pusher neutral	
Module marker for custom printing	
Module marker for neutral	
Thermotransfer version (Material: Polyester)	
Thermotransfer version (material: polyester)	
Paper version for Laserprinter	
Replacement parts	
	Electronic module
	Basic module
	Plug-in connector unit
Note	

UR20-2PWM-PN-0.5A



Type		
Type	Qty.	Order No.
UR20-2PWM-PN-0.5A	1	1315600000
Type		
Type	Qty.	Order No.
KOSM BHZ5.00	100	1483050000
UR20-EBK-ACC	5	1346610000
UR20-SM-ACC	20	1339920000
PM 2.7/2.6 MC SDR	192	1323700000
PM 2.7/2.6 MC NE WS	960	1323710000
DEK 5/8-11.5 MC SDR	100	1341610000
DEK 5/8-11.5 MC NE WS	500	1341630000
THM UR20 GE	1	1429910000
THM UR20 WS	1	1429420000
ESO UR20 DIN A4 WS	10	1429430000
Type		
Type	Qty.	Order No.
UR20-EM-1315600000-SP	1	1347180000
UR20-BM-SP	5	1350930000
UR20-PK-1315600000-SP	5	1484010000
1 roll = 1000 label = 1 Qty. 1 sheet = 60 label = 1 Qty.		



Product standard	
Product standard	IEC 61131-2
EMC	EN IEC 61000
ATEX	EN 60079
UL	UL 61010-2-201
MSIP	MSIP-REM-WMG-1315600000
CCC	available
EAC	available
ABS (American Bureau of Shipping)	not available
BSH (Federal Maritime and Hydrographic Agency)	available
BV (Bureau Veritas)	not available
DNV (Det Norske Veritas)	not available
LR (Lloyd's Register)	not available
RINA (Registro Italiano Navale)	not available
KR (Korean Register)	not available
NK (Nippon Kaiji Kyokai)	not available
PRS (Polish Register of Shipping)	not available
RMRoS (Russian Maritime Register of Shipping)	not available
You can find the latest information online at www.weidmuller.com	

Pulse width modulation and stepper motor modules

2PWM-PN-2A

- 2 pulse width modulation module outputs
- Can be loaded up to 2 A per channel
- Short-circuit-proof
- Push/pull output
- Maximum 40 kHz output frequency (adjustable)

Technical data

System data

Interface
Transmission speed of system bus, max.
Galvanic isolation

Supply

Voltage supply
Current consumption I_{in} (power segment of the field bus coupler), typ.
Current consumption from I_{out} (the respective power segment)

Digital outputs

Number of digital outputs
Type
Resolution
Accuracy
Max. response time, high
Max. response time, low
Output current per channel, max.
Output current per module, max.
Switching frequency, resistive load
Switching frequency, inductive load
Switching frequency, lamp load
Actuator connection
Short-circuit-proof
Module diagnosis
Individual channel diagnosis
Feedback-free
Pulse duty factor

General data

Weight
Dimensions H x W x D

Note

Ordering data

Module variants

Digital output module, PWM, 2 channels, 2 A

Note

Accessories

Coding elements
Termination kit
Swivel marker
Connection marker for pusher custom printing
Connection marker for pusher neutral
Module marker for custom printing
Module marker for neutral
Thermotransfer version (Material: Polyester)
Thermotransfer version (material: polyester)
Paper version for Laserprinter

Replacement parts

Electronic module
Basic module
Plug-in connector unit

Note

UR20-2PWM-PN-2A



u-remote system bus
48 Mbit
500 V DC between the current paths
24 V DC +20 %/-15 %, via the system bus
8 mA
40 mA
2
DO PWM push / pull
32 Bit
1 Bit
100 ns
100 ns
2000 mA
4000 mA
Static, 6 Hz ... 40 kHz
Static, 6 Hz ... 40 kHz
Static, 6 Hz ... 40 kHz
2-wire, 3-wire, 3-wire + FE
Yes
Yes
No
Yes
0--100% push/pull or push, parameterisable

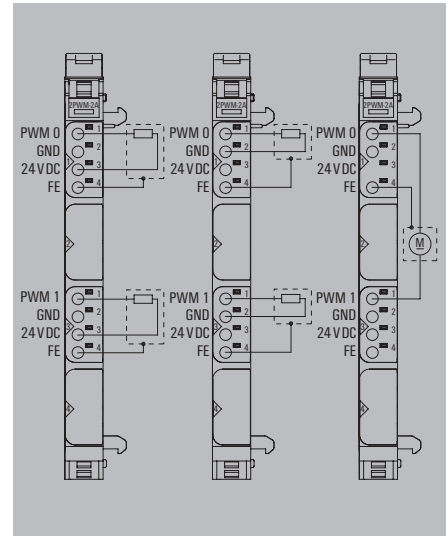
83 g
120 mm / 11.5 mm / 76 mm

Type	Qty.	Order No.
UR20-2PWM-PN-2A	1	1315610000

Type	Qty.	Order No.
KOSM BHZ5.00	100	1483050000
UR20-EBK-ACC	5	1346610000
UR20-SM-ACC	20	1339920000
PM 2.7/2.6 MC SDR	192	1323700000
PM 2.7/2.6 MC NE WS	960	1323710000
DEK 5/8-11.5 MC SDR	100	1341610000
DEK 5/8-11.5 MC NE WS	500	1341630000
THM UR20 GE	1	1429910000
THM UR20 WS	1	1429420000
ESO UR20 DIN A4 WS	10	1429430000

UR20-EM-1315610000-SP	1	1347190000
UR20-BM-SP	5	1350930000
UR20-PK-1315610000-SP	5	1346550000

1 roll = 1000 label = 1 Qty.
1 sheet = 60 label = 1 Qty.



Product standard	IEC 61131-2
EMC	EN IEC 61000
ATEX	EN 60079
UL	UL 61010-2-201
MSIP	MSIP-REM-WMG-1315610000
CCC	available
EAC	available
ABS (American Bureau of Shipping)	not available
BSH (Federal Maritime and Hydrographic Agency)	available
BV (Bureau Veritas)	not available
DNV (Det Norske Veritas)	not available
LR (Lloyd's Register)	not available
RINA (Registro Italiano Navale)	not available
KR (Korean Register)	not available
NK (Nippon Kaiji Kyokai)	not available
PRS (Polish Register of Shipping)	not available
RMRoS (Russian Maritime Register of Shipping)	not available

You can find the latest information online at www.weidmuller.com

1SM-50W-6DI2DO-P

- Power output stage for drive power up to 50 W
- Supply voltage range from 12 to 50 V DC
- 6 configurable encoder/digital inputs
- 2 digital outputs (0.5 A)
- Up to 256 micro-steps
- Relative and absolute positioning

UR20-1SM-50W-6DI2DO-P



Technical data

System data	
Interface	u-remote system bus
Transmission speed of system bus, max.	48 Mbit/s
Galvanic isolation	500 V DC between the current paths
Supply	
Voltage supply	24 V DC +20 %/ -15 %
Current consumption I_{in} (power segment of the field bus coupler), typ.	8 mA
Current consumption from I_{out} (the respective power segment)	10 mA + load
Current consumption from external power supply	35 mA + load
Stepper motor connections	
Number of channels	1
Power output stage, max.	50 W
Connection type	4-wire
Digital inputs DI 0...DI 3	
Number of channels	4
Input type	P-switching, for Type 1 and Type 3 sensors as per IEC 61131-2
Current supply, sensor	max. 1 A per plug
Sensor connection	2-wire, 3-wire
Reverse polarity protection	Yes
Digital inputs DI 4...DI 5	
Number of channels	2
Input type	Input characteristics for sensor types 1 and 3 are acc. to EN 61131-2, P-switching
Suitable for incremental encoder	Yes
Input frequency, max.	100kHz
Mode of operation	AB mode with 4-times sampling
Current supply, sensor	max. 1 A per plug
Sensor connection	2-wire, 3-wire
Digital outputs DO 0...DO 1	
Number of channels	2
Response time low-high, max. / Response time high-low, max.	100µs / 250µs
Output current per channel, max.	0.5A
Actuator connection	2-wire
Short-circuit-proof / Reactionless	Yes / Yes
General data	
Weight / Dimensions H x W x D	173 g / 120 / 23 / 76 mm
Note	

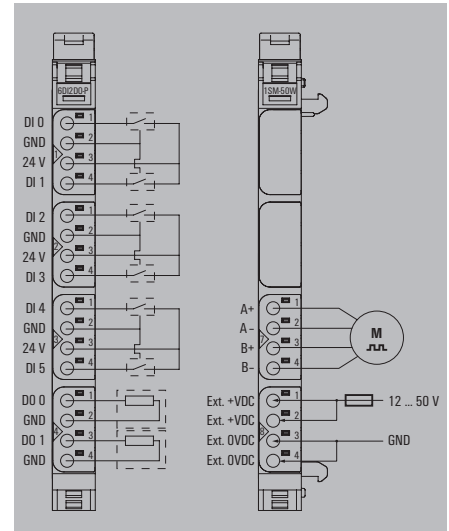
Ordering data

Module variants	Stepper motor module, 6 digital inputs, 2 digital outputs
Note	

Accessories

	Coding elements	KOSM BHZ5.00	100	1483050000
	Termination kit	UR20-EBK-ACC	5	1346610000
	Swivel marker	UR20-SM-ACC	20	1339920000
	Connection marker for pusher custom printing	PM 2.7/2.6 MC SDR	192	1323700000
	Connection marker for pusher neutral	PM 2.7/2.6 MC NE WS	960	1323710000
	Module marker for custom printing	DEK 5/8-11.5 MC SDR	100	1341610000
	Module marker for neutral	DEK 5/8-11.5 MC NE WS	500	1341630000
	Thermotransfer version (Material: Polyester)	THM UR20 GE	1	1429910000
	Thermotransfer version (material: polyester)	THM UR20 WS	1	1429420000
	Paper version for Laserprinter	ESO UR20 DIN A4 WS	10	1429430000
Replacement parts				
	Electronic module	UR20-EM-2489830000-SP	1	2585660000
	Basic module	UR20-BM-SP	5	1350930000
	Plug-in connector unit	UR20-PK1-2489830000-SP	5	2573750000
	Plug-in connector unit	UR20-PK2-2489830000-SP	5	2585650000
Note				

u-remote system bus		
Interface	u-remote system bus	
Transmission speed of system bus, max.	48 Mbit/s	
Galvanic isolation	500 V DC between the current paths	
Supply		
Voltage supply	24 V DC +20 %/ -15 %	
Current consumption I_{in} (power segment of the field bus coupler), typ.	8 mA	
Current consumption from I_{out} (the respective power segment)	10 mA + load	
Current consumption from external power supply	35 mA + load	
Stepper motor connections		
Number of channels	1	
Power output stage, max.	50 W	
Connection type	4-wire	
Digital inputs DI 0...DI 3		
Number of channels	4	
Input type	P-switching, for Type 1 and Type 3 sensors as per IEC 61131-2	
Current supply, sensor	max. 1 A per plug	
Sensor connection	2-wire, 3-wire	
Reverse polarity protection	Yes	
Digital inputs DI 4...DI 5		
Number of channels	2	
Input type	Input characteristics for sensor types 1 and 3 are acc. to EN 61131-2, P-switching	
Suitable for incremental encoder	Yes	
Input frequency, max.	100kHz	
Mode of operation	AB mode with 4-times sampling	
Current supply, sensor	max. 1 A per plug	
Sensor connection	2-wire, 3-wire	
Digital outputs DO 0...DO 1		
Number of channels	2	
Response time low-high, max. / Response time high-low, max.	100µs / 250µs	
Output current per channel, max.	0.5A	
Actuator connection	2-wire	
Short-circuit-proof / Reactionless	Yes / Yes	
General data		
Weight / Dimensions H x W x D	173 g / 120 / 23 / 76 mm	
Note		



Product standard	IEC 61131-2
EMC	EN IEC 61000
ATEX	EN 60079
UL	UL 61010-2-201
MSIP	not available
CCC	available
EAC	available
ABS (American Bureau of Shipping)	not available
BSH (Federal Maritime and Hydrographic Agency)	not available
BV (Bureau Veritas)	not available
DNV (Det Norske Veritas)	not available
LR (Lloyd's Register)	not available
RINA (Registro Italiano Navale)	not available
KR (Korean Register)	not available
NK (Nippon Kaiji Kyokai)	not available
PRS (Polish Register of Shipping)	not available
RMRoS (Russian Maritime Register of Shipping)	not available
You can find the latest information online at www.weidmuller.com	

Analogue input modules

Input parameters can be set for current or voltage, up to 3-wire+FE, Accuracy 0.1% FSR

The analogue input modules can detect up to 2, 4 or 8 analogue sensors with +/-10 V, +/-5 V, 0...10 V, 0...5 V, 2...10 V, 1...5 V, 0...20 mA or 4...20 mA. Variations are available in 12 and 16 bit resolution per channel. Sensors in a 2-wire, 3-wire or 3-wire connection + FE can be connected to each plug-in connector. The measurement range is defined using parametrisation. A status LED is assigned to each channel. The inputs are protected against voltage surges and overcurrent. The module electronics supply the connected sensors from the input current path I_{IN} (The "ISO" module is an exception: the module has no auxiliary voltage outputs. Connected sensors must be supplied with power from external sources.)

"DIAG" module: the module provides individual channel diagnosis with channel-related fault messages.

"DIF" module: the input channels are differential inputs with a common-mode voltage range of +/-30 V.

"HART" module: the module can be used as a HART master, with each channel using a dedicated HART modem. HART devices can be connected to each channel in single connection (point-to-point, P2P) or multiple connection (multidrop).

The module electronics supply the connected sensors from the input current path (U_{IN}).

UR20-4AI-UI-16



UR20-4AI-UI-16-DIAG



UR20-4AI-UI-DIF-16-DIAG



UR20-4AI-UI-DIF-32-DIAG



UR20-4AI-UI-16-HD



UR20-4AI-UI-16-DIAG-HD



UR20-4AI-UI-12



UR20-8AI-I-16-HD



UR20-8AI-I-16-DIAG-HD



UR20-8AI-PLC-INT



UR20-2AI-UI-16



UR20-2AI-UI-16-DIAG



UR20-4AI-I-HART-16-DIAG



2AI-UI-16

- 2 analogue inputs
- Parameterisable inputs (voltage, current)
- 16-bit resolution
- 2-wire, 3-wire and 3-wire + FE connection

UR20-2AI-UI-16



Technical data

System data	
Interface	u-remote system bus
Transmission speed of system bus, max.	48 Mbit
Galvanic isolation	500 V DC between the current paths
Supply	
Voltage supply	24 V DC +20 %/-15 %, via the system bus
Current consumption I _m (power segment of the field bus coupler), typ.	8 mA
Current consumption I _m (the respective power segment)	25 mA + sensor feed
Analogue inputs	
Number of analogue inputs	2
Type	1. U (0...5 V, 0...10 V, 1...5 V, 2...10 V, ±10 V), 2. I (0-20 mA or 4-20 mA)
Resolution	16 Bit
Accuracy	0.1% FSR
Sensor supply	Yes
Sensor connection	2-wire, 3-wire, 3-wire + FE
Conversion time	1 ms
Internal resistance U	100 kΩ
Internal resistance I	41.2 Ω
Reverse polarity protection	Yes
Module diagnosis	Yes
Individual channel diagnosis	No
Short-circuit-proof	Yes
General data	
Weight	82.2 g
Dimensions H x W x D	120 mm / 11.5 mm / 76 mm
Note	

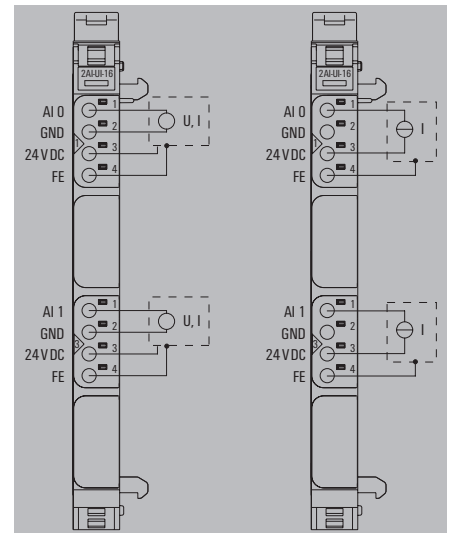
Type	Qty.	Order No.
UR20-2AI-UI-16	1	2705620000

Ordering data

Module variants	
Analogue input module, 2 channels, 16 bits	
Note	

Accessories

Coding elements	KOSM BHZ5.00	100	1483050000
Termination kit	UR20-EBK-ACC	5	1346610000
Swivel marker	UR20-SM-ACC	20	1339920000
Connection marker for pusher custom printing	PM 2.7/2.6 MC SDR	192	1323700000
Connection marker for pusher neutral	PM 2.7/2.6 MC NE WS	960	1323710000
Module marker for custom printing	DEK 5/8-11.5 MC SDR	100	1341610000
Module marker for neutral	DEK 5/8-11.5 MC NE WS	500	1341630000
Thermotransfer version (Material: Polyester)	THM UR20 GE	1	1429910000
Thermotransfer version (material: polyester)	THM UR20 WS	1	1429420000
Paper version for Laserprinter	ESD UR20 DIN A4 WS	10	1429430000
Replacement parts			
Electronic module	UR20-EM-2705620000-SP		2788700000
Basic module	UR20-BM-SP	5	1350930000
Plug-in connector unit	UR20-PK-2705620000-SP		2788710000
Note			



Product standard	IEC 61131-2
EMC	EN IEC 61000
ATEX	EN 60079
UL	UL 61010-2-201
MSIP	MSIP-REM-WMG-2705620000
CCC	not available
EAC	available
ABS (American Bureau of Shipping)	not available
BSH (Federal Maritime and Hydrographic Agency)	not available
BV (Bureau Veritas)	not available
DNV (Det Norske Veritas)	not available
LR (Lloyd's Register)	not available
RINA (Registro Italiano Navale)	not available
KR (Korean Register)	not available
NK (Nippon Kaiji Kyokai)	not available
PRS (Polish Register of Shipping)	not available
RMRoS (Russian Maritime Register of Shipping)	not available
You can find the latest information online at www.weidmuller.com	

Analogue input modules

4AI-UI-12

- 4 analogue inputs
- Parameterisable inputs (voltage, current)
- 12-bit resolution
- 2-wire, 3-wire and 3-wire + FE connection
- Accuracy 0.25 % FSR

UR20-4AI-UI-12



Technical data

System data

Interface
Transmission speed of system bus, max.
Galvanic isolation

Supply

Voltage supply
Current consumption I_m (power segment of the field bus coupler), typ.
Current consumption I_m (the respective power segment)

Analogue inputs

Number of analogue inputs
Type
Resolution
Accuracy
Sensor supply
Sensor connection
Conversion time
Internal resistance U
Internal resistance I
Reverse polarity protection
Module diagnosis
Individual channel diagnosis
Short-circuit-proof

General data

Weight
Dimensions H x W x D

Note

u-remote system bus
48 Mbit
500 V DC between the current paths

24 V DC +20 %/-15 %, via the system bus
8 mA
25 mA + sensor feed

4
1. U (0...5 V, 0...10 V, 1...5 V, 2...10 V, ± 10 V), 2. I (0-20 mA or 4-20 mA), Adjustable input for current or voltage
12-bit
0.1% FSR
Yes
2-wire, 3-wire, 3-wire + FE
1 ms
100 k Ω
41.2 Ω
Yes
Yes
No
Yes

87 g
120 mm / 11.5 mm / 76 mm

Ordering data

Module variants

Analogue input module, 4 channels, 12 bits

Note

Type	Qty.	Order No.
UR20-4AI-UI-12	1	1394390000

Accessories

Coding elements
Termination kit
Swivel marker
Connection marker for pusher custom printing
Connection marker for pusher neutral
Module marker for custom printing
Module marker for neutral
Thermotransfer version (Material: Polyester)
Thermotransfer version (material: polyester)
Paper version for Laserprinter

Type	Qty.	Order No.
KOSM BHZ5.00	100	1483050000
UR20-EBK-ACC	5	1346610000
UR20-SM-ACC	20	1339920000
PM 2.7/2.6 MC SDR	192	1323700000
PM 2.7/2.6 MC NE WS	960	1323710000
DEK 5/8-11.5 MC SDR	100	1341610000
DEK 5/8-11.5 MC NE WS	500	1341630000
THM UR20 GE	1	1429910000
THM UR20 WS	1	1429420000
ESD UR20 DIN A4 WS	10	1429430000

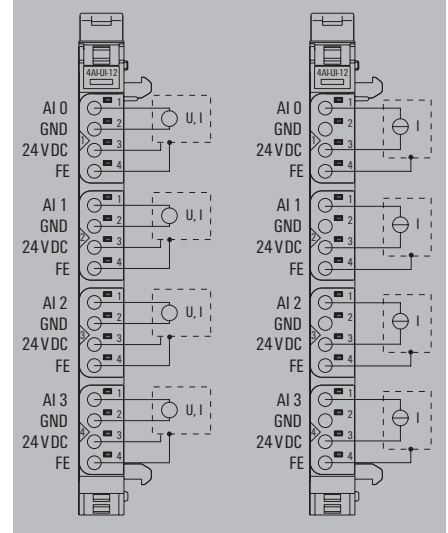
Replacement parts

Electronic module
Basic module
Plug-in connector unit

UR20-EM-1394390000-SP	1	1434230000
UR20-BM-SP	5	1350930000
UR20-PK-1394390000-SP	5	1484030000

Note

1 roll = 1000 label = 1 Qty.
1 sheet = 60 label = 1 Qty.



Product standard	IEC 61131-2
EMC	EN IEC 61000
ATEX	EN 60079
UL	UL 61010-2-201
MSIP	MSIP-REM-WMG-1394390000
CCC	available
EAC	available
ABS (American Bureau of Shipping)	available
BSH (Federal Maritime and Hydrographic Agency)	available
BV (Bureau Veritas)	available
DNV (Det Norske Veritas)	available
LR (Lloyd's Register)	available
RINA (Registro Italiano Navale)	available
KR (Korean Register)	available
NK (Nippon Kaiji Kyokai)	available
PRS (Polish Register of Shipping)	available
RMRoS (Russian Maritime Register of Shipping)	available

You can find the latest information online at www.weidmuller.com

4AI-UI-16

- 4 analogue inputs
- Parameterisable inputs (voltage, current)
- 16-bit resolution
- 2-wire, 3-wire and 3-wire + FE connection
- Accuracy 0.1 % FSR

UR20-4AI-UI-16



Technical data

System data	
Interface	u-remote system bus
Transmission speed of system bus, max.	48 Mbit
Galvanic isolation	500 V DC between the current paths
Supply	
Voltage supply	24 V DC +20 %/-15 %, via the system bus
Current consumption I_m (power segment of the field bus coupler), typ.	8 mA
Current consumption I_m (the respective power segment)	25 mA + sensor feed
Analogue inputs	
Number of analogue inputs	4
Type	1. U (0...5 V, 0...10 V, 1...5 V, 2...10 V, ± 10 V), 2. I (0-20 mA or 4-20 mA), Adjustable input for current or voltage
Resolution	16 Bit
Accuracy	0.1% FSR
Sensor supply	Yes
Sensor connection	2-wire, 3-wire, 3-wire + FE
Conversion time	1 ms
Internal resistance U	100 k Ω
Internal resistance I	41.2 Ω
Reverse polarity protection	Yes
Module diagnosis	Yes
Individual channel diagnosis	No
Short-circuit-proof	Yes
General data	
Weight	89 g
Dimensions H x W x D	120 mm / 11.5 mm / 76 mm
Note	

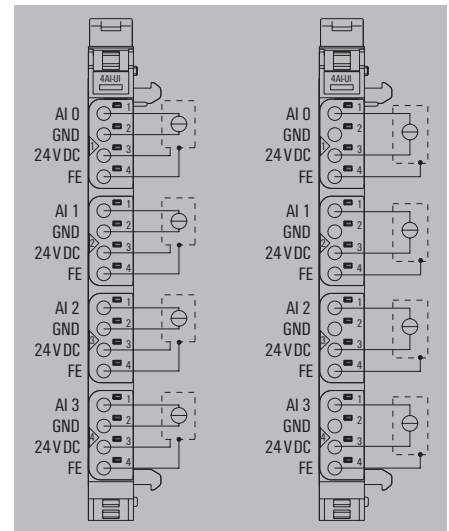
Type	Qty.	Order No.
UR20-4AI-UI-16	1	1315620000

Ordering data

Module variants	
	Analogue input module, 4 channels, 16 bits
Note	

Accessories

Type	Qty.	Order No.
KOSM BHZ5.00	100	1483050000
UR20-EBK-ACC	5	1346610000
UR20-SM-ACC	20	1339920000
PM 2.7/2.6 MC SDR	192	1323700000
PM 2.7/2.6 MC NE WS	960	1323710000
DEK 5/8-11.5 MC SDR	100	1341610000
DEK 5/8-11.5 MC NE WS	500	1341630000
THM UR20 GE	1	1429910000
THM UR20 WS	1	1429420000
ESD UR20 DIN A4 WS	10	1429430000
Replacement parts		
Electronic module	UR20-EM-1315620000-SP	1 1347200000
Basic module	UR20-BM-SP	5 1350930000
Plug-in connector unit	UR20-PK-1315620000-SP	5 1484020000
Note		
1 roll = 1000 label = 1 Qty. 1 sheet = 60 label = 1 Qty.		



Product standard	IEC 61131-2
EMC	EN IEC 61000
ATEX	EN 60079
UL	UL 61010-2-201
MSIP	MSIP-REM-WMG-1315620000
CCC	available
EAC	available
ABS (American Bureau of Shipping)	available
BSH (Federal Maritime and Hydrographic Agency)	available
BV (Bureau Veritas)	available
DNV (Det Norske Veritas)	available
LR (Lloyd's Register)	available
RINA (Registro Italiano Navale)	available
KR (Korean Register)	available
NK (Nippon Kaiji Kyokai)	available
PRS (Polish Register of Shipping)	available
RMRoS (Russian Maritime Register of Shipping)	available
You can find the latest information online at www.weidmuller.com	

Analogue input modules

2AI-UI-16-DIAG

- 2 analogue inputs
- Parameterisable inputs (voltage, current)
- Advanced diagnosis functions
- 16-bit resolution
- 2-wire, 3-wire and 3-wire + FE connection

UR20-2AI-UI-16-DIAG



Technical data

System data

Interface
Transmission speed of system bus, max.
Galvanic isolation

Supply

Voltage supply
Current consumption I_m (power segment of the field bus coupler), typ.
Current consumption I_m (the respective power segment)

Analogue inputs

Number of analogue inputs
Type
Resolution
Accuracy
Sensor supply
Sensor connection
Conversion time
Internal resistance U
Internal resistance I
Reverse polarity protection
Module diagnosis
Individual channel diagnosis
Short-circuit-proof

General data

Weight
Dimensions H x W x D

Note

u-remote system bus
48 Mbit
DC 500 V between current paths

24 V DC +20 %/-15 %, via the system bus
8 mA
25 mA + sensor feed

2
1. U (0...5 V, 0...10 V, 1...5 V, 2...10 V, ± 10 V), 2. I (0-20 mA or 4-20 mA)
16 Bit
0.1% FSR
Yes
2-wire, 3-wire, 3-wire + FE
1 ms
100 k Ω
41.2 Ω
Yes
Yes
Yes
Yes

82.5 g
120 mm / 11.5 mm / 76 mm

Ordering data

Module variants

Analogue input module, 2 channels, 16 bits, diagnosis functions

Note

Type	Qty.	Order No.
UR20-2AI-UI-16-DIAG	1	2566090000

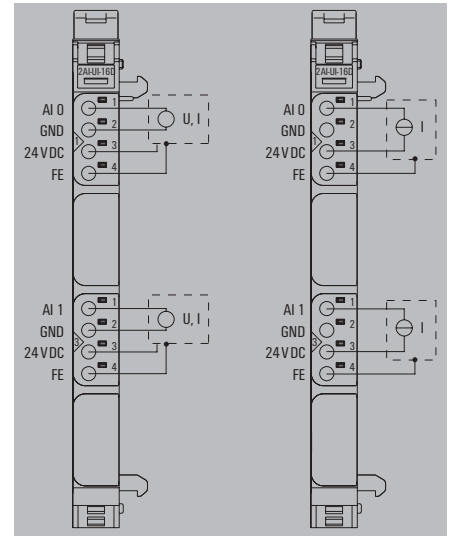
Accessories

Termination kit	UR20-EBK-ACC	5	1346610000
Swivel marker	UR20-SM-ACC	20	1339920000
Connection marker for pusher custom printing	PM 2.7/2.6 MC SDR	192	1323700000
Connection marker for pusher neutral	PM 2.7/2.6 MC NE WS	960	1323710000
Module marker for custom printing	DEK 5/8-11.5 MC SDR	100	1341610000
Module marker for neutral	DEK 5/8-11.5 MC NE WS	500	1341630000
Thermotransfer version (Material: Polyester)	THM UR20 GE	1	1429910000
Thermotransfer version (material: polyester)	THM UR20 WS	1	1429420000
Paper version for Laserprinter	ESO UR20 DIN A4 WS	10	1429430000

Replacement parts

Electronic module	UR20-EM-2566090000-SP	1	2568080000
Basic module	UR20-BM-SP	5	1350930000
Plug-in connector unit	UR20-PK-2566090000-SP	5	2568070000

Note



Product standard	IEC 61131-2
EMC	EN IEC 61000
ATEX	EN 60079
UL	UL 61010-2-201
MSIP	MSIP-REM-WMG-2566090000
CCC	not available
EAC	available
ABS (American Bureau of Shipping)	not available
BSH (Federal Maritime and Hydrographic Agency)	not available
BV (Bureau Veritas)	not available
DNV (Det Norske Veritas)	not available
LR (Lloyd's Register)	not available
RINA (Registro Italiano Navale)	not available
KR (Korean Register)	not available
NK (Nippon Kaiji Kyokai)	not available
PRS (Polish Register of Shipping)	not available
RMRoS (Russian Maritime Register of Shipping)	not available

You can find the latest information online at www.weidmuller.com

4AI-UI-16-DIAG

- Advanced diagnosis functions
- 4 analogue inputs
- Parameterisable inputs (voltage, current)
- 16-bit resolution
- 2-wire, 3-wire and 3-wire + FE connection
- Accuracy 0.1 % FSR

Technical data

System data	
Interface	u-remote system bus
Transmission speed of system bus, max.	48 Mbit
Galvanic isolation	500 V DC between the current paths
Supply	
Voltage supply	24 V DC +20 %/-15 %, via the system bus
Current consumption I _m (power segment of the field bus coupler), typ.	8 mA
Current consumption I _m (the respective power segment)	25 mA + sensor feed
Analogue inputs	
Number of analogue inputs	4
Type	1. U (0...5 V, 0...10 V, 1...5 V, 2...10 V, ±10 V), 2. I (0-20 mA or 4-20 mA)
Resolution	16 Bit
Accuracy	0.1% FSR
Sensor supply	Yes
Sensor connection	2-wire, 3-wire, 3-wire + FE
Conversion time	1 ms
Internal resistance U	100 kΩ
Internal resistance I	41.2 Ω
Reverse polarity protection	Yes
Module diagnosis	Yes
Individual channel diagnosis	Yes
Short-circuit-proof	Yes
General data	
Weight	89 g
Dimensions H x W x D	120 mm / 11.5 mm / 76 mm
Note	

Ordering data

Module variants	
Analogue input module, 4 channels, 16 bits, diagnosis functions	
Note	

Accessories

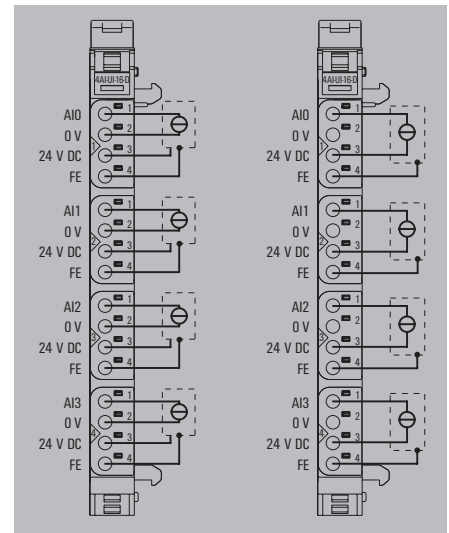
Coding elements	KOSM BHZ5.00	100	1483050000
Termination kit	UR20-EBK-ACC	5	1346610000
Swivel marker	UR20-SM-ACC	20	1339920000
Connection marker for pusher custom printing	PM 2.7/2.6 MC SDR	192	1323700000
Connection marker for pusher neutral	PM 2.7/2.6 MC NE WS	960	1323710000
Module marker for custom printing	DEK 5/8-11.5 MC SDR	100	1341610000
Module marker for neutral	DEK 5/8-11.5 MC NE WS	500	1341630000
Thermotransfer version (Material: Polyester)	THM UR20 GE	1	1429910000
Thermotransfer version (material: polyester)	THM UR20 WS	1	1429420000
Paper version for Laserprinter	ESD UR20 DIN A4 WS	10	1429430000
Replacement parts			
Electronic module	UR20-EM-1315690000-SP	1	1347280000
Basic module	UR20-BM-SP	5	1350930000
Plug-in connector unit	UR20-PK-1315690000-SP	5	1518870000
Note			
1 roll = 1000 label = 1 Qty. 1 sheet = 60 label = 1 Qty.			

UR20-4AI-UI-16-DIAG



Type		
UR20-4AI-UI-16-DIAG	Qty. 1	Order No. 1315690000

Type		
KOSM BHZ5.00	Qty. 100	Order No. 1483050000
UR20-EBK-ACC	5	1346610000
UR20-SM-ACC	20	1339920000
PM 2.7/2.6 MC SDR	192	1323700000
PM 2.7/2.6 MC NE WS	960	1323710000
DEK 5/8-11.5 MC SDR	100	1341610000
DEK 5/8-11.5 MC NE WS	500	1341630000
THM UR20 GE	1	1429910000
THM UR20 WS	1	1429420000
ESD UR20 DIN A4 WS	10	1429430000
Type		
UR20-EM-1315690000-SP	1	1347280000
UR20-BM-SP	5	1350930000
UR20-PK-1315690000-SP	5	1518870000
Note		
1 roll = 1000 label = 1 Qty. 1 sheet = 60 label = 1 Qty.		



Product standard	IEC 61131-2
EMC	EN IEC 61000
ATEX	EN 60079
UL	UL 61010-2-201
MSIP	MSIP-REM-WMG-1315690000
CCC	available
EAC	available
ABS (American Bureau of Shipping)	available
BSH (Federal Maritime and Hydrographic Agency)	available
BV (Bureau Veritas)	available
DNV (Det Norske Veritas)	available
LR (Lloyd's Register)	available
RINA (Registro Italiano Navale)	available
KR (Korean Register)	available
NK (Nippon Kaiji Kyokai)	available
PRS (Polish Register of Shipping)	available
RMRoS (Russian Maritime Register of Shipping)	available
You can find the latest information online at www.weidmuller.com	

Analogue input modules

4AI-UI-ISO-16-DIAG

- 4 analogue inputs
- Extended diagnostic function
- Parameterisable inputs (voltage, current)
- 16-bit resolution
- 2-wire
- Accuracy 0.1 % FSR

Technical data

System data

Interface
Transmission speed of system bus, max.
Galvanic isolation

Supply

Voltage supply
Current consumption I_m (power segment of the field bus coupler), typ.
Current consumption I_m (the respective power segment)

Analogue inputs

Number of analogue inputs
Input value

Resolution
Accuracy
Sensor supply
Sensor connection
Conversion time
Internal resistance U
Internal resistance I
Reverse polarity protection
Module diagnosis
Individual channel diagnosis

General data

Weight
Dimensions H x W x D

Note

Ordering data

Module variants

Analogue input module, 4 channels, 16 bit, isolated

Note

Accessories

Coding elements
Termination kit
Swivel marker
Connection marker for pusher custom printing
Connection marker for pusher neutral
Module marker for custom printing
Module marker for neutral
Thermotransfer version (Material: Polyester)
Thermotransfer version (material: polyester)
Paper version for Laserprinter

Replacement parts

Electronic module
Basic module
Plug-in connector unit

Note

UR20-4AI-UI-ISO-16-DIAG



u-remote system bus
48 Mbit
500 V DC between the current paths

24 V DC +20 %/-15 %
8 mA
31 mA

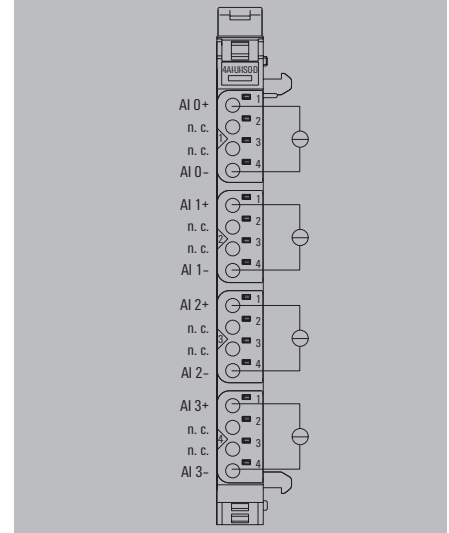
4
Voltage U (0...5 V, ±5 V, 0...10 V, ±10 V, 1...5 V, 2...10 V), Current I (0...20 mA, 4...20 mA)
16 Bit
0.1% FSR
No
2-wire
1 ms
200 kΩ
70 Ω
Yes
Yes
Yes

89.9 g
120 mm / 11.5 mm / 76 mm

Type	Qty.	Order No.
UR20-4AI-UI-ISO-16-DIAG	1	2566960000

Type	Qty.	Order No.
KOSM BHZ5.00	100	1483050000
UR20-EBK-ACC	5	1346610000
UR20-SM-ACC	20	1339920000
PM 2.7/2.6 MC SDR	192	1323700000
PM 2.7/2.6 MC NE WS	960	1323710000
DEK 5/8-11.5 MC SDR	100	1341610000
DEK 5/8-11.5 MC NE WS	500	1341630000
THM UR20 GE	1	1429910000
THM UR20 WS	1	1429420000
ESO UR20 DIN A4 WS	10	1429430000

UR20-EM-2566960000-SP	1	2568360000
UR20-BM-SP	5	1350930000
UR20-PK-2566960000-SP	5	2568320000



Product standard	IEC 61131-2
EMC	EN IEC 61000
ATEX	EN 60079
UL	UL 61010-2-201
MSIP	MSIP-REM-WMG-2566960000
CCC	available
EAC	available
ABS (American Bureau of Shipping)	available
BSH (Federal Maritime and Hydrographic Agency)	available
BV (Bureau Veritas)	available
DNV (Det Norske Veritas)	available
LR (Lloyd's Register)	available
RINA (Registro Italiano Navale)	available
KR (Korean Register)	not available
NK (Nippon Kaiji Kyokai)	not available
PRS (Polish Register of Shipping)	not available
RMRoS (Russian Maritime Register of Shipping)	not available

You can find the latest information online at www.weidmuller.com

4AI-UI-16-HD

- 4 analogue inputs
- Parameterisable inputs (voltage, current)
- 16-bit resolution
- 2-wire, 3-wire and 3-wire + FE connection
- Accuracy 0.1 % FSR

Technical data

System data	
Interface	u-remote system bus
Transmission speed of system bus, max.	48 Mbit
Galvanic isolation	500 V DC between the current paths
Supply	
Voltage supply	24 V DC +20 %/-15 %, via the system bus
Current consumption I _m (power segment of the field bus coupler), typ.	8 mA
Current consumption I _m (the respective power segment)	25 mA + sensor feed
Analogue inputs	
Number of analogue inputs	4
Type	1. U (0...5 V, 0...10 V, 1...5 V, 2...10 V, ±10 V), 2. I (0-20 mA or 4-20 mA)
Resolution	16 Bit
Accuracy	0.1% FSR
Sensor supply	Yes
Sensor connection	2-wire, 3-wire, 3-wire + FE
Conversion time	1 ms
Internal resistance U	100 kΩ
Internal resistance I	45 Ω
Reverse polarity protection	Yes
Module diagnosis	Yes
Individual channel diagnosis	No
Short-circuit-proof	Yes
General data	
Weight	72 g
Dimensions H x W x D	120 mm / 11.5 mm / 76 mm
Note	

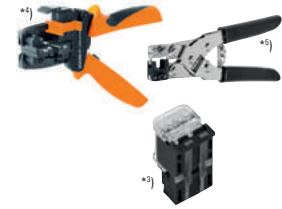
Ordering data

Module variants	
Analogue input module, 4 channels, 16 bits, HD plug	
Note	

Accessories

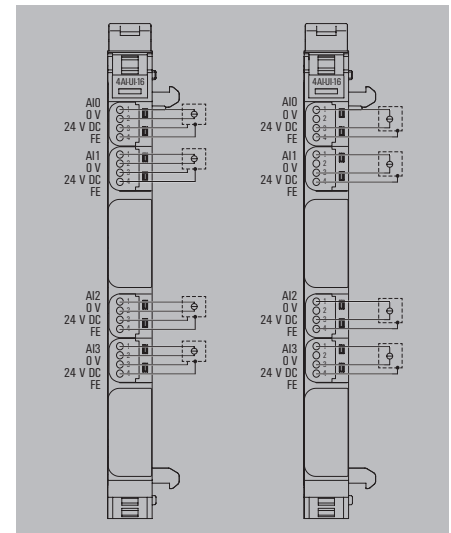
Coding elements	
Termination kit	
Swivel marker	
Module marker for custom printing	
Module marker for neutral	
Thermotransfer version (Material: Polyester)	
Thermotransfer version (material: polyester)	
Paper version for Laserprinter	
Connector and tools	
^{*)} HD plug	
^{*)} Stripping tool	
^{*)} Pressing tool	
Replacement parts	
Electronic module	
Basic module	
Plug-in connector unit	
Note	

UR20-4AI-UI-16-HD



Note: Please order connector separately

Type		
UR20-4AI-UI-16-HD	Qty. 1	Order No. 1506920000
Type		
KOSM BHZ5.00	Qty. 100	Order No. 1483050000
UR20-EBK-ACC	Qty. 5	Order No. 1346610000
UR20-SM-ACC	Qty. 20	Order No. 1339920000
DEK 5/8-11.5 MC SDR	Qty. 100	Order No. 1341610000
DEK 5/8-11.5 MC NE WS	Qty. 500	Order No. 1341630000
THM UR20 GE	Qty. 1	Order No. 1429910000
THM UR20 WS	Qty. 1	Order No. 1429420000
ESD UR20 DIN A4 WS	Qty. 10	Order No. 1429430000
UR20-PG0.35	Qty. 8	Order No. 1469340000
MULTI-STRIPAX 6-16	Qty. 1	Order No. 9202210000
PWZ-UR20-HD	Qty. 1	Order No. 1525820000
UR20-EM-1506920000-SP	Qty. 1	Order No. 1515420000
UR20-BM-SP	Qty. 5	Order No. 1350930000
UR20-PK-1506920000-SP	Qty. 5	Order No. 1518830000
Note: please order plug (1469340000) separately.		



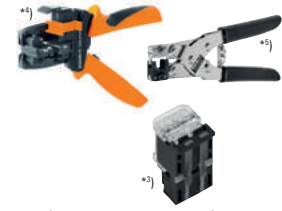
Product standard	IEC 61131-2
EMC	EN IEC 61000
ATEX	EN 60079
UL	UL 61010-2-201
MSIP	MSIP-REM-WMG-1506920000
CCC	available
EAC	available
ABS (American Bureau of Shipping)	not available
BSH (Federal Maritime and Hydrographic Agency)	not available
BV (Bureau Veritas)	not available
DNV (Det Norske Veritas)	not available
LR (Lloyd's Register)	not available
RINA (Registro Italiano Navale)	available
KR (Korean Register)	not available
NK (Nippon Kaiji Kyokai)	not available
PRS (Polish Register of Shipping)	not available
RMRoS (Russian Maritime Register of Shipping)	not available
You can find the latest information online at www.weidmuller.com	

Analogue input modules

4AI-UI-16-DIAG-HD

- Advanced diagnosis functions
- 4 analogue inputs
- Parameterisable inputs (voltage, current)
- 16-bit resolution
- 2-wire, 3-wire and 3-wire + FE connection
- Accuracy 0.1 % FSR

UR20-4AI-UI-16-DIAG-HD



Note: Please order connector separately

Technical data

System data

Interface
Transmission speed of system bus, max.
Galvanic isolation

Supply

Voltage supply
Current consumption I_{M} (power segment of the field bus coupler), typ.
Current consumption I_{M} (the respective power segment)

Analogue inputs

Number of analogue inputs
Type
Resolution
Accuracy
Sensor supply
Sensor connection
Conversion time
Internal resistance U
Internal resistance I
Reverse polarity protection
Module diagnosis
Individual channel diagnosis
Short-circuit-proof

General data

Weight
Dimensions H x W x D

Note

u-remote system bus
48 Mbit
500 V DC between the current paths

24 V DC +20 %/-15 %, via the system bus
8 mA
25 mA + sensor feed

4
1. U (0...5 V, 0...10 V, 1...5 V, 2...10 V, ± 10 V), 2. I (0-20 mA or 4-20 mA)
16 Bit
0.1% FSR
Yes
2-wire, 3-wire, 3-wire + FE
1 ms
100 k Ω
45 Ω
Yes
Yes
Yes
Yes

72 g
120 mm / 11.5 mm / 76 mm

Ordering data

Module variants

Analogue input module, 4 channels, diagnosis functions, HD-plug

Note

Type	Qty.	Order No.
UR20-4AI-UI-16-DIAG-HD	1	1506910000

Accessories

Coding elements	KOSM BHZ5.00	100	1483050000
Termination kit	UR20-EBK-ACC	5	1346610000
Swivel marker	UR20-SM-ACC	20	1339920000
Module marker for custom printing	DEK 5/8-11.5 MC SDR	100	1341610000
Module marker for neutral	DEK 5/8-11.5 MC NE WS	500	1341630000
Thermotransfer version (Material: Polyester)	THM UR20 GE	1	1429910000
Thermotransfer version (material: polyester)	THM UR20 WS	1	1429420000
Paper version for Laserprinter	ESD UR20 DIN A4 WS	10	1429430000

Connector and tools

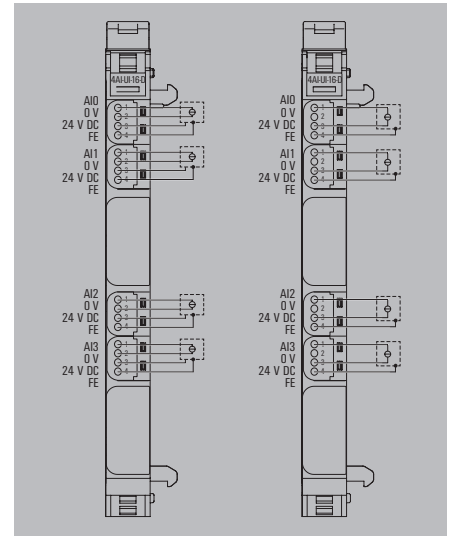
^{*)} HD plug	UR20-PG0.35	8	1469340000
^{*)} Stripping tool	MULTI-STRIPAX 6-16	1	9202210000
^{*)} Pressing tool	PWZ-UR20-HD	1	1525820000

Replacement parts

Electronic module	UR20-EM-1506910000-SP	1	1515430000
Basic module	UR20-BM-SP	5	1350930000
Plug-in connector unit	UR20-PK-1506910000-SP	5	1518820000

Note

Note: please order plug (1469340000) separately.



Product standard	IEC 61131-2
EMC	EN IEC 61000
ATEX	EN 60079
UL	UL 61010-2-201
MSIP	MSIP-REM-WMG-1506910000
CCC	available
EAC	available
ABS (American Bureau of Shipping)	not available
BSH (Federal Maritime and Hydrographic Agency)	not available
BV (Bureau Veritas)	not available
DNV (Det Norske Veritas)	not available
LR (Lloyd's Register)	not available
RINA (Registro Italiano Navale)	available
KR (Korean Register)	not available
NK (Nippon Kaiji Kyokai)	not available
PRS (Polish Register of Shipping)	not available
RMRoS (Russian Maritime Register of Shipping)	not available

You can find the latest information online at www.weidmuller.com

8AI-16-HD

- 8 analogue inputs
- 16-bit resolution
- 2-wire, 3-wire and 3-wire + FE connection
- Accuracy 0.1 % FSR
- HD plug

Technical data

System data	
Interface	u-remote system bus
Transmission speed of system bus, max.	48 Mbit
Galvanic isolation	500 V DC between the current paths
Supply	
Voltage supply	24 V DC +20 %/-15 %, via the system bus
Current consumption I _m (power segment of the field bus coupler), typ.	8 mA
Current consumption I _m (the respective power segment)	20 mA + load
Analogue inputs	
Number of analogue inputs	8
Input value	Current I (0...20 mA, 4...20 mA)
Resolution	16 Bit
Accuracy	0.1% FSR
Sensor supply	Yes
Sensor connection	2-wire, 3-wire, 3-wire + FE
Conversion time	1 ms
Internal resistance I	50 Ω
Reverse polarity protection	Yes
Module diagnosis	Yes
Individual channel diagnosis	No
Short-circuit-proof	Yes
General data	
Weight	74 g
Dimensions H x W x D	120 mm / 11.5 mm / 76 mm
Note	

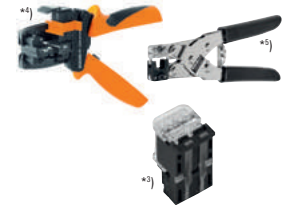
Ordering data

Module variants	
Analogue input module, 8 channels, 16 Bits, HD-plug	
Note	

Accessories

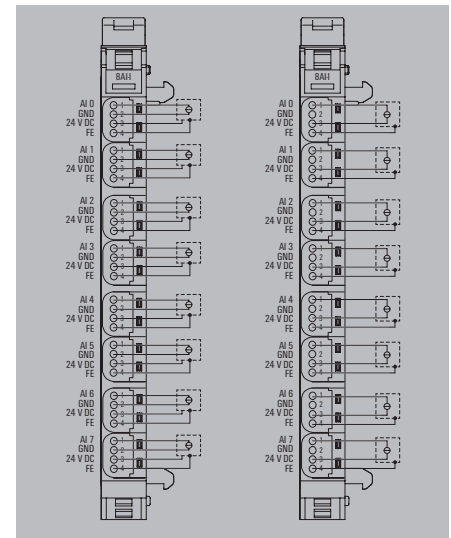
Coding elements	
Termination kit	
Swivel marker	
Module marker for custom printing	
Module marker for neutral	
Thermotransfer version (Material: Polyester)	
Thermotransfer version (material: polyester)	
Paper version for Laserprinter	
Connector and tools	
^{*)} HD plug	
^{*)} Stripping tool	
^{*)} Pressing tool	
Replacement parts	
Electronic module	
Basic module	
Plug-in connector unit	
Note	

UR20-8AI-16-HD



Note: Please order connector separately

Type		
UR20-8AI-16-HD	Qty. 1	Order No. 1315650000
Type		
KOSM BHZ5.00	Qty. 100	Order No. 1483050000
UR20-EBK-ACC	Qty. 5	Order No. 1346610000
UR20-SM-ACC	Qty. 20	Order No. 1339920000
DEK 5/8-11.5 MC SDR	Qty. 100	Order No. 1341610000
DEK 5/8-11.5 MC NE WS	Qty. 500	Order No. 1341630000
THM UR20 GE	Qty. 1	Order No. 1429910000
THM UR20 WS	Qty. 1	Order No. 1429420000
ESD UR20 DIN A4 WS	Qty. 10	Order No. 1429430000
UR20-PG0.35	Qty. 8	Order No. 1469340000
MULTI-STRIPAX 6-16	Qty. 1	Order No. 9202210000
PWZ-UR20-HD	Qty. 1	Order No. 1525820000
UR20-EM-1315650000-SP	Qty. 1	Order No. 1347240000
UR20-BM-SP	Qty. 5	Order No. 1350930000
UR20-PK-1315650000-SP	Qty. 5	Order No. 1559740000
Note: please order plug (1469340000) separately.		



Product standard	IEC 61131-2
EMC	EN IEC 61000
ATEX	EN 60079
UL	UL 61010-2-201
MSIP	MSIP-REM-WMG-1315650000
CCC	available
EAC	available
ABS (American Bureau of Shipping)	not available
BSH (Federal Maritime and Hydrographic Agency)	not available
BV (Bureau Veritas)	not available
DNV (Det Norske Veritas)	not available
LR (Lloyd's Register)	not available
RINA (Registro Italiano Navale)	not available
KR (Korean Register)	not available
NK (Nippon Kaiji Kyokai)	not available
PRS (Polish Register of Shipping)	not available
RMRoS (Russian Maritime Register of Shipping)	not available
You can find the latest information online at www.weidmuller.com	

Analogue input modules

8AI-16-DIAG-HD

- Advanced diagnosis functions
- 8 analogue inputs
- 16-bit resolution
- 2-wire, 3-wire and 3-wire + FE connection
- Accuracy 0.1 % FSR

Technical data

System data

Interface
Transmission speed of system bus, max.
Galvanic isolation

Supply

Voltage supply
Current consumption I_{M} (power segment of the field bus coupler), typ.
Current consumption I_{M} (the respective power segment)

Analogue inputs

Number of analogue inputs
Input value
Resolution
Accuracy
Sensor supply
Sensor connection
Conversion time
Internal resistance I
Reverse polarity protection
Module diagnosis
Individual channel diagnosis
Short-circuit-proof

General data

Weight
Dimensions H x W x D

Note

Ordering data

Module variants

Analogue input module, 4 channels, diagnosis functions, HD-plug

Note

Accessories

Coding elements
Termination kit
Swivel marker
Module marker for custom printing
Module marker for neutral
Thermotransfer version (Material: Polyester)
Thermotransfer version (material: polyester)
Paper version for Laserprinter

Connector and tools

^{*)} HD plug
^{*)} Stripping tool
^{*)} Pressing tool

Replacement parts

Electronic module
Basic module
Plug-in connector unit

Note

UR20-8AI-16-DIAG-HD



Note: Please order connector separately

u-remote system bus
48 Mbit
500 V DC between the current paths

24 V DC +20 %/-15 %, via the system bus
8 mA
20 mA + load

8
Current I (0...20 mA, 4...20 mA)
16 Bit
0.1% FSR
Yes
2-wire, 3-wire, 3-wire + FE
1 ms
50 Ω
Yes
Yes
Yes

74 g
120 mm / 11.5 mm / 76 mm

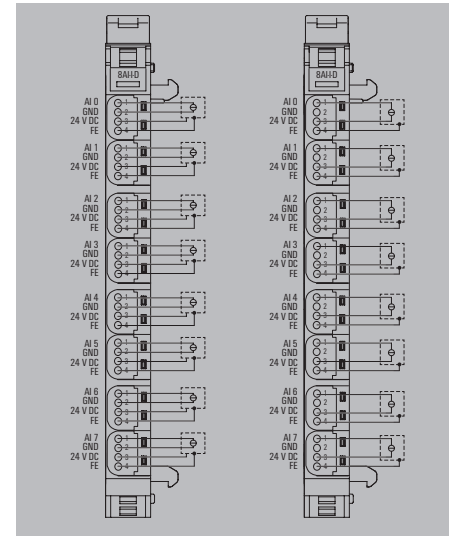
Type	Qty.	Order No.
UR20-8AI-16-DIAG-HD	1	1315720000

Type	Qty.	Order No.
KOSM BHZ5.00	100	1483050000
UR20-EBK-ACC	5	1346610000
UR20-SM-ACC	20	1339920000
DEK 5/8-11.5 MC SDR	100	1341610000
DEK 5/8-11.5 MC NE WS	500	1341630000
THM UR20 GE	1	1429910000
THM UR20 WS	1	1429420000
ESD UR20 DIN A4 WS	10	1429430000

UR20-PG0.35	8	1469340000
MULTI-STRIPAX 6-16	1	9202210000
PWZ-UR20-HD	1	1525820000

UR20-EM-1315720000-SP	1	1347320000
UR20-BM-SP	5	1350930000
UR20-PK-1315720000-SP	5	1559750000

Note: please order plug (1469340000) separately.



Product standard	IEC 61131-2
EMC	EN IEC 61000
ATEX	EN 60079
UL	UL 61010-2-201
MSIP	MSIP-REM-WMG-1315720000
CCC	available
EAC	available
ABS (American Bureau of Shipping)	not available
BSH (Federal Maritime and Hydrographic Agency)	not available
BV (Bureau Veritas)	not available
DNV (Det Norske Veritas)	not available
LR (Lloyd's Register)	not available
RINA (Registro Italiano Navale)	not available
KR (Korean Register)	not available
NK (Nippon Kaiji Kyokai)	not available
PRS (Polish Register of Shipping)	not available
RMRoS (Russian Maritime Register of Shipping)	not available

You can find the latest information online at www.weidmuller.com

8AI-PLC-INT

- 8 analogue inputs
- Rapid cabling with flat ribbon cable
- 0/4 to 20 mA with 0.1 % accuracy with a 16-bit resolution
- Inputs can be parameterised (passive or active operating mode)

Technical data

System data	
Interface	u-remote system bus
Transmission speed of system bus, max.	48 Mbit/s
Galvanic isolation	500 V DC between the current paths
Supply	
Voltage supply	24 V DC +20 %/-15 %, via the system bus
Current consumption I _m (power segment of the field bus coupler), typ.	8 mA
Current consumption I _m (the respective power segment)	< 20 mA
Analogue inputs	
Number of analogue inputs	8
Type	Current input
Resolution	16 Bit
Accuracy	0.1% FSR
Sensor supply	external
Sensor connection	PLC interface unit
Conversion time	1 ms
Internal resistance I	50 Ω
Reverse polarity protection	Yes
Module diagnosis	Yes
Individual channel diagnosis	No
Short-circuit-proof	Yes
General data	
Weight	85 g
Dimensions H x W x D	120 mm / 11.5 mm / 76 mm
Note	

Ordering data

Module variants	
	Analogue input module, 8 channels, PLC interface
Note	

Accessories

	Coding elements
	Termination kit
	Swivel marker
	Connection marker for pusher custom printing
	Connection marker for pusher neutral
	Module marker for custom printing
	Module marker for neutral
	Thermotransfer version (Material: Polyester)
	Thermotransfer version (material: polyester)
	Paper version for Laserprinter
Connector and cable	
	PLC interface element
	Pre-assembled cable, 1m
Replacement parts	
	Electronic module
	Basic module
	Plug-in connector unit
Note	

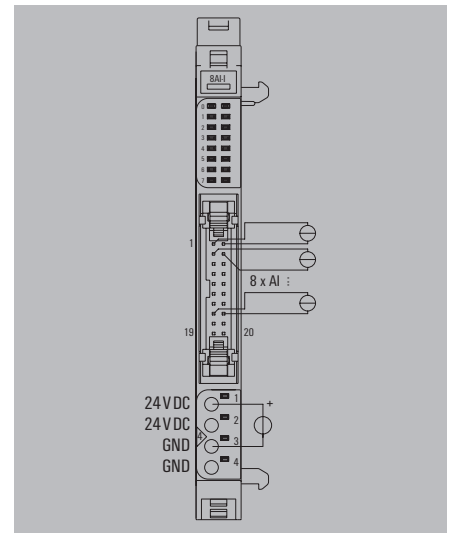
UR20-8AI-PLC-INT



System data		
Interface	u-remote system bus	
Transmission speed of system bus, max.	48 Mbit/s	
Galvanic isolation	500 V DC between the current paths	
Supply		
Voltage supply	24 V DC +20 %/-15 %, via the system bus	
Current consumption I _m (power segment of the field bus coupler), typ.	8 mA	
Current consumption I _m (the respective power segment)	< 20 mA	
Analogue inputs		
Number of analogue inputs	8	
Type	Current input	
Resolution	16 Bit	
Accuracy	0.1% FSR	
Sensor supply	external	
Sensor connection	PLC interface unit	
Conversion time	1 ms	
Internal resistance I	50 Ω	
Reverse polarity protection	Yes	
Module diagnosis	Yes	
Individual channel diagnosis	No	
Short-circuit-proof	Yes	
General data		
Weight	85 g	
Dimensions H x W x D	120 mm / 11.5 mm / 76 mm	
Note		

Type	Qty.	Order No.
UR20-8AI-PLC-INT	1	1315670000

Type	Qty.	Order No.
KOSM BHZ5.00	100	1483050000
UR20-EBK-ACC	5	1346610000
UR20-SM-ACC	20	1339920000
PM 2.7/2.6 MC SDR	192	1323700000
PM 2.7/2.6 MC NE WS	960	1323710000
DEK 5/8-11.5 MC SDR	100	1341610000
DEK 5/8-11.5 MC NE WS	500	1341630000
THM UR20 GE	1	1429910000
THM UR20 WS	1	1429420000
ESD UR20 DIN A4 WS	10	1429430000
Connector and cable		
RS F20 LP2N 5/20	1	0224261001
PAC-UNIV-HE20-LCH-1M	1	7789306010
Replacement parts		
UR20-EM-1315670000-SP	1	1347250000
UR20-BM-SP	5	1350930000
UR20-PK-1315670000-SP	5	1483950000
1 roll = 1000 label = 1 Qty. 1 sheet = 60 label = 1 Qty.		



Product standard	IEC 61131-2
EMC	EN IEC 61000
ATEX	EN 60079
UL	UL 508
MSIP	MSIP-REM-WMG-1315670000
CCC	available
EAC	available
ABS (American Bureau of Shipping)	not available
BSH (Federal Maritime and Hydrographic Agency)	not available
BV (Bureau Veritas)	not available
DNV (Det Norske Veritas)	not available
LR (Lloyd's Register)	not available
RINA (Registro Italiano Navale)	not available
KR (Korean Register)	not available
NK (Nippon Kaiji Kyokai)	not available
PRS (Polish Register of Shipping)	not available
RMRoS (Russian Maritime Register of Shipping)	not available
You can find the latest information online at www.weidmuller.com	

Analogue input modules

4AI-UI-DIF-16-DIAG

- 4 differential analog inputs
- Advanced diagnosis functions
- Parameterizable inputs (voltage, current)
- 16-bit resolution
- 2-wire, 3-wire and 4-wire
- Accuracy 0.1% FSR

Technical data

System data

Interface
Transmission speed of system bus, max.
Galvanic isolation

Supply

Voltage supply
Current consumption I_m (power segment of the field bus coupler), typ.
Current consumption I_m (the respective power segment)

Analogue inputs

Number of analogue inputs
Input value

Resolution

Accuracy

Sensor supply

Sensor supply

Sensor connection

Input type

Common mode range

Conversion time

Internal resistance I

Reverse polarity protection

Module diagnosis

Individual channel diagnosis

Short-circuit-proof

General data

Weight

Dimensions H x W x D

Note

Ordering data

Module variants

Analogue input module, 4 channels, 16 Bits, Differential inputs

Note

Accessories

Coding elements
Termination kit
Swivel marker
Connection marker for pusher custom printing
Connection marker for pusher neutral
Module marker for custom printing
Module marker for neutral
Thermotransfer version (Material: Polyester)
Thermotransfer version (material: polyester)
Paper version for Laserprinter

Replacement parts

Electronic module
Basic module
Plug-in connector unit

Note

UR20-4AI-UI-DIF-16-DIAG



u-remote system bus
48 Mbit
500 V DC between the current paths

24 V DC +20 %/-15 %, via the system bus
8 mA
33 mA + load

4

Voltage U (0...5 V, ±5 V, 0...10 V, ±10 V, 1...5 V, 2...10 V), Current I (0...20 mA, 4...20 mA)

16 Bit

0.1% FSR

Yes

500mA

2-wire, 3-wire, 4-wire

Differential input

-30V...30V

1 ms

18 Ω

Yes

Yes

Yes

Yes

90 g

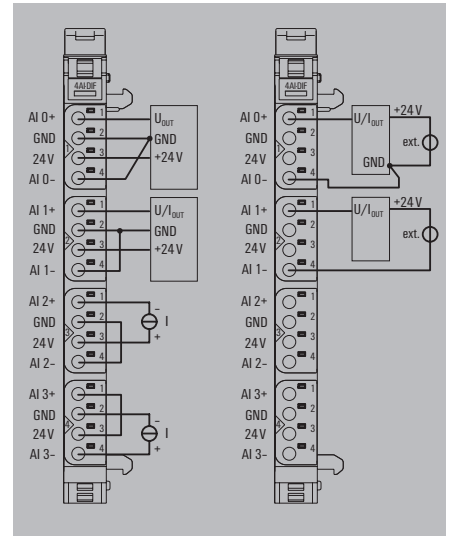
120 mm / 11.5 mm / 76 mm

Type	Qty.	Order No.
UR20-4AI-UI-DIF-16-DIAG	1	1993880000

Type	Qty.	Order No.
KOSM BHZ5.00	100	1483050000
UR20-EBK-ACC	5	1346610000
UR20-SM-ACC	20	1339920000
PM 2.7/2.6 MC SDR	192	1323700000
PM 2.7/2.6 MC NE WS	960	1323710000
DEK 5/8-11.5 MC SDR	100	1341610000
DEK 5/8-11.5 MC NE WS	500	1341630000
THM UR20 GE	1	1429910000
THM UR20 WS	1	1429420000
ESD UR20 DIN A4 WS	10	1429430000

UR20-EM-1993880000-SP	1	2446190000
UR20-BM-SP	5	1350930000
UR20-PK-1993880000-SP	5	2446200000

1 roll = 1000 label = 1 Qty.
1 sheet = 60 label = 1 Qty.



Product standard	IEC 61131-2
EMC	EN IEC 61000
ATEX	EN 60079
UL	UL 61010-2-201
MSIP	MSIP-REM-WMG-1993880000
CCC	available
EAC	available
ABS (American Bureau of Shipping)	available
BSH (Federal Maritime and Hydrographic Agency)	available
BV (Bureau Veritas)	available
DNV (Det Norske Veritas)	available
LR (Lloyd's Register)	available
RINA (Registro Italiano Navale)	available
KR (Korean Register)	available
NK (Nippon Kaiji Kyokai)	available
PRS (Polish Register of Shipping)	available
RMRoS (Russian Maritime Register of Shipping)	available

You can find the latest information online at www.weidmuller.com

4AI-UI-DIF-32-DIAG

- 4 differential analog inputs
- Advanced diagnosis functions
- Parameterizable inputs (voltage, current)
- 16-bit resolution
- 2-wire, 3-wire and 4-wire
- Accuracy 0.1% FSR

Technical data

System data	
Interface	u-remote system bus
Transmission speed of system bus, max.	48 Mbit
Galvanic isolation	500 V DC between the current paths
Supply	
Voltage supply	24 V DC +20 %/-15 %, via the system bus
Current consumption I_m (power segment of the field bus coupler), typ.	8 mA
Current consumption I_m (the respective power segment)	31 mA + load
Analogue inputs	
Number of analogue inputs	4
Input value	Voltage U (0...5 V, ±5 V, 0...10 V, ±10 V, 1...5 V, 2...10 V), Current I (0...20 mA, 4...20 mA)
Resolution	16 Bit
Accuracy	0.1% FSR
Sensor supply	Yes
Sensor supply	500mA
Sensor connection	2-wire, 3-wire, 4-wire
Input type	Differential input
Common mode range	-30V...30V
Conversion time	1 ms
Internal resistance I	16 Ω
Reverse polarity protection	Yes
Module diagnosis	Yes
Individual channel diagnosis	Yes
Short-circuit-proof	Yes
General data	
Weight	90 g
Dimensions H x W x D	120 mm / 11.5 mm / 76 mm
Note	

Ordering data

Module variants	
Analogue input module, 4 channels, 16 Bits, Differential inputs	
Note	

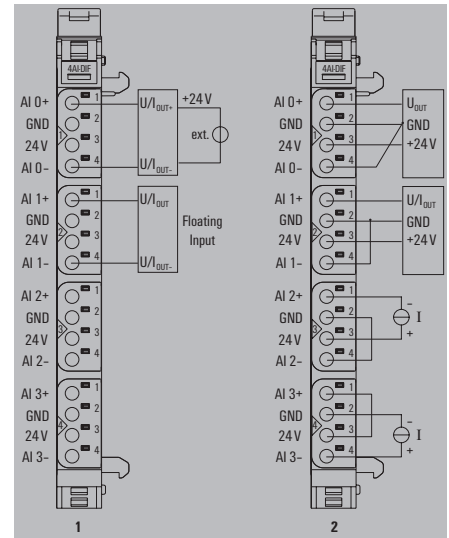
Accessories

Coding elements	
Termination kit	
Swivel marker	
Connection marker for pusher custom printing	
Connection marker for pusher neutral	
Module marker for custom printing	
Module marker for neutral	
Thermotransfer version (Material: Polyester)	
Thermotransfer version (material: polyester)	
Paper version for Laserprinter	
Replacement parts	
Electronic module	
Basic module	
Plug-in connector unit	
Note	

UR20-4AI-UI-DIF-32-DIAG



Type		
Type	Qty.	Order No.
UR20-4AI-UI-DIF-32-DIAG	1	2544660000
Type		
Type	Qty.	Order No.
KOSM BHZ5.00	100	1483050000
UR20-EBK-ACC	5	1346610000
UR20-SM-ACC	20	1339920000
PM 2.7/2.6 MC SDR	192	1323700000
PM 2.7/2.6 MC NE WS	960	1323710000
DEK 5/8-11.5 MC SDR	100	1341610000
DEK 5/8-11.5 MC NE WS	500	1341630000
THM UR20 GE	1	1429910000
THM UR20 WS	1	1429420000
ESD UR20 DIN A4 WS	10	1429430000
Type		
Type	Qty.	Order No.
UR20-EM-2544660000-SP	1	2550610000
UR20-BM-SP	5	1350930000
UR20-PK-2544660000-SP	5	2550620000
Note		



Product standard	IEC 61131-2
EMC	EN IEC 61000
ATEX	EN 60079
UL	UL 61010-2-201
MSIP	MSIP-REM-WMG-2544660000
CCC	available
EAC	available
ABS (American Bureau of Shipping)	not available
BSH (Federal Maritime and Hydrographic Agency)	not available
BV (Bureau Veritas)	not available
DNV (Det Norske Veritas)	not available
LR (Lloyd's Register)	not available
RINA (Registro Italiano Navale)	available
KR (Korean Register)	not available
NK (Nippon Kaiji Kyokai)	not available
PRS (Polish Register of Shipping)	not available
RMRS (Russian Maritime Register of Shipping)	not available
You can find the latest information online at www.weidmuller.com	

Temperature modules and potentiometer input module

Available for TC and RTD, 16-bit resolution, 50/60 Hz suppression

The analogue temperature and potentiometer input modules can acquire up to 4 or 8 analogue resistance thermocouplers, thermocouple sensors, potentiometers or voltages from +/-15 mV to +/- 2 V. The resolution is 16 bits per channel. A sensor can be connected to each connector in a 2-wire, 3-wire or 4-wire connection. Sensor type and temperature range are set using parametrisation. A status LED is assigned to each channel.

The inputs are protected against voltage surges and overcurrent. In addition, the modules provide individual channel diagnosis with channel-related fault messages.

"HP" module: the module is intended for high-precision applications. A user calibration can be parametrised for the resistance measurement.

"TC" module: internal or external cold junction compensation (CJC) can be parametrised for each channel.

UR20-4AI-RTD-DIAG



UR20-4AI-RTD-HP-DIAG



UR20-8AI-RTD-DIAG-2W



UR20-4AI-TC-DIAG



UR20-4AI-R-HS-16-DIAG



4AI-RTD-DIAG

- 16-bit resolution
- Individual channel diagnosis
- Automatic 50 and 60 Hz suppression
- For 2-, 3- and 4-wire RTDs
- High accuracy
- For virtually all common sensors
- Temperature measurement via resistor

UR20-4AI-RTD-DIAG



Technical data

System data	
Interface	u-remote system bus
Transmission speed of system bus, max.	48 Mbit
Galvanic isolation	DC 500 V between current paths
Supply	
Voltage supply	24 V DC +20 %/-15 %, via the system bus
Current consumption I _m (power segment of the field bus coupler), typ.	8 mA
Current consumption I _m (the respective power segment)	< 20 mA
Analogue inputs	
Number of analogue inputs	4
Type	Pt100, Pt200, Pt500, Pt1000, Ni100, Ni120, Ni 200, Ni500, Ni1000, Cu10, 40Ω, 80Ω, 150Ω, 300Ω, 500Ω, 1kΩ, 2kΩ, 4kΩ
Resolution	16 Bit
Accuracy	0.2% FSR / 0.3% FSR for Ni sensors / 0.6% FSR for Cu10
Sensor connection	2-wire, 3-wire, 4-wire
Temperature coefficient	≤ 50 ppm/K
Temperature range	-200...850 °C
Conversion time	adjustable, 36...240 ms
Internal resistance U	1 MΩ
Reverse polarity protection	Yes
Module diagnosis	Yes
Individual channel diagnosis	Yes
General data	
Weight	91 g
Dimensions H x W x D	120 mm / 11.5 mm / 76 mm
Note	

Type	Qty.	Order No.
UR20-4AI-RTD-DIAG	1	1315700000

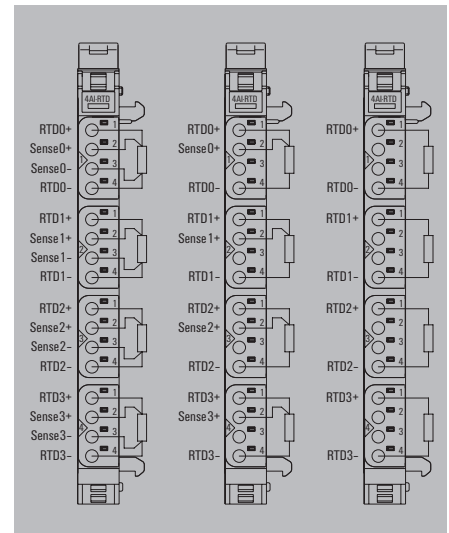
Ordering data

Module variants	
	Analogue input module, 4 channels, RTD
Note	

Accessories

	Coding elements
	Termination kit
	Swivel marker
	Connection marker for pusher custom printing
	Connection marker for pusher neutral
	Module marker for custom printing
	Module marker for neutral
	Thermotransfer version (Material: Polyester)
	Thermotransfer version (material: polyester)
	Paper version for Laserprinter
Replacement parts	
	Electronic module
	Basic module
	Plug-in connector unit
Note	

Type	Qty.	Order No.
KOSM BHZ5.00	100	1483050000
UR20-EBK-ACC	5	1346610000
UR20-SM-ACC	20	1339920000
PM 2.7/2.6 MC SDR	192	1323700000
PM 2.7/2.6 MC NE WS	960	1323710000
DEK 5/8-11.5 MC SDR	100	1341610000
DEK 5/8-11.5 MC NE WS	500	1341630000
THM UR20 GE	1	1429910000
THM UR20 WS	1	1429420000
ESO UR20 DIN A4 WS	10	1429430000
UR20-EM-1315700000-SP	1	1347290000
UR20-BM-SP	5	1350930000
UR20-PK-1315700000-SP	5	1484040000
1 roll = 1000 label = 1 Qty. 1 sheet = 60 label = 1 Qty.		



Product standard	IEC 61131-2
EMC	EN IEC 61000
ATEX	EN 60079
UL	UL 61010-2-201
MSIP	MSIP-REM-WMG-1315700000
CCC	available
EAC	available
ABS (American Bureau of Shipping)	available
BSH (Federal Maritime and Hydrographic Agency)	available
BV (Bureau Veritas)	available
DNV (Det Norske Veritas)	available
LR (Lloyd's Register)	available
RINA (Registro Italiano Navale)	available
KR (Korean Register)	available
NK (Nippon Kaiji Kyokai)	available
PRS (Polish Register of Shipping)	available
RMRoS (Russian Maritime Register of Shipping)	available
You can find the latest information online at www.weidmuller.com	

Temperature modules and potentiometer input module

4AI-RTD-HP-DIAG

- 16-bit resolution
- Individual channel diagnosis
- For 2-,3- and 4wire RTDs
- High accuracy
- For virtually all common sensors
- Temperature measurement via resistor

UR20-4AI-RTD-HP-DIAG



Technical data

System data

Interface
Transmission speed of system bus, max.
Galvanic isolation

Supply

Voltage supply
Current consumption I_m (power segment of the field bus coupler), typ.
Current consumption I_m (the respective power segment)

Analogue inputs

Number of analogue inputs
Type

Resolution
Accuracy

Sensor connection
Temperature coefficient
Temperature range
Conversion time
Reverse polarity protection
Module diagnosis
Individual channel diagnosis

General data

Weight
Dimensions H x W x D

Note

Ordering data

Module variants

Analogue input module, 4 channels, RTD

Note

Accessories

Coding elements
Termination kit
Swivel marker
Connection marker for pusher custom printing
Connection marker for pusher neutral
Module marker for custom printing
Module marker for neutral
Thermotransfer version (Material: Polyester)
Thermotransfer version (material: polyester)
Paper version for Laserprinter

Replacement parts

Electronic module
Basic module
Plug-in connector unit

Note

u-remote system bus
48 Mbit
500 V DC between the current paths

24 V DC $\pm 20\%$ / -15% , via the system bus
8 mA
< 20 mA

4

Pt100, Pt200, Pt500, Pt1000, Ni100, Ni120, Ni 200, Ni500, Ni1000, Cu10, 40 Ω , 80 Ω , 150 Ω , 300 Ω , 500 Ω , 1k Ω , 2k Ω , 4k Ω

16 Bit

max. 0,6 K for Measurement range Pt100 (-200 ... +250 °C), max. 0,2 % FSR for Pt sensors and resistance measurement (-200 ... +250 °C), max. 0,3 % FSR for Ni sensors, max. 0,6 % FSR for Cu10

2-wire, 3-wire, 4-wire

≤ 50 ppm/K

-200...850 °C

adjustable, 36...240 ms

Yes

Yes

Yes

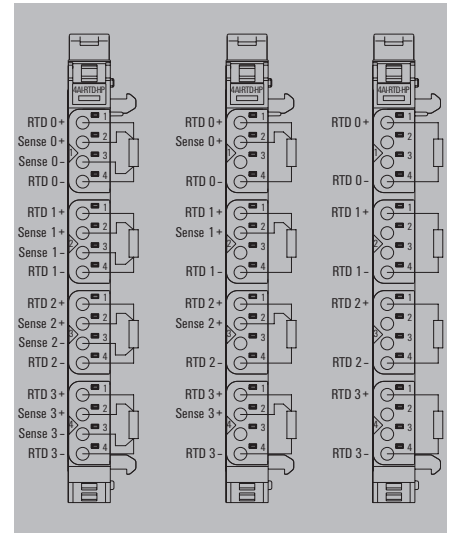
88 g

120 mm / 11,5 mm / 76 mm

Type	Qty.	Order No.
UR20-4AI-RTD-HP-DIAG	1	2456540000

Type	Qty.	Order No.
KOSM BHZ5.00	100	1483050000
UR20-EBK-ACC	5	1346610000
UR20-SM-ACC	20	1339920000
PM 2.7/2.6 MC SDR	192	1323700000
PM 2.7/2.6 MC NE WS	960	1323710000
DEK 5/8-11.5 MC SDR	100	1341610000
DEK 5/8-11.5 MC NE WS	500	1341630000
THM UR20 GE	1	1429910000
THM UR20 WS	1	1429420000
ESO UR20 DIN A4 WS	10	1429430000

UR20-EM-2456540000-SP	1	2545620000
UR20-BM-SP	5	1350930000
UR20-PK-2456540000-SP	5	2545610000



Product standard	IEC 61131-2
EMC	EN IEC 61000
ATEX	EN 60079
UL	UL 61010-2-201
MSIP	MSIP-REM-WMG-2456540000
CCC	available
EAC	available
ABS (American Bureau of Shipping)	not available
BSH (Federal Maritime and Hydrographic Agency)	not available
BV (Bureau Veritas)	not available
DNV (Det Norske Veritas)	not available
LR (Lloyd's Register)	not available
RINA (Registro Italiano Navale)	not available
KR (Korean Register)	not available
NK (Nippon Kaiji Kyokai)	not available
PRS (Polish Register of Shipping)	not available
RMRoS (Russian Maritime Register of Shipping)	not available

You can find the latest information online at www.weidmuller.com

8AI-RTD-DIAG-2W

- 16-bit resolution
- Individual channel diagnosis
- For 2-wire RTDs
- High accuracy
- For virtually all common sensors
- Temperature measurement via resistor

Technical data

System data	
Interface	u-remote system bus
Transmission speed of system bus, max.	48 Mbit
Galvanic isolation	500 V DC between the current paths
Supply	
Voltage supply	24 V DC +20 %/-15 %, via the system bus
Current consumption I _m (power segment of the field bus coupler), typ.	8 mA
Current consumption I _m (the respective power segment)	< 20 mA
Analogue inputs	
Number of analogue inputs	8
Type	Pt100, Pt200, Pt500, Pt1000, Ni100, Ni120, Ni 200, Ni500, Ni1000, Cu10, 40Ω, 80Ω, 150Ω, 300Ω, 500Ω, 1kΩ, 2kΩ, 4kΩ
Resolution	16 Bit
Accuracy	0.2% FSR / 0.3% FSR for Ni sensors / 0.6% FSR for Cu10
Sensor connection	2-wire
Temperature coefficient	≤ 50 ppm/K
Temperature range	-200...850 °C
Conversion time	80 ms
Reverse polarity protection	Yes
Module diagnosis	Yes
Individual channel diagnosis	Yes
General data	
Weight	91 g
Dimensions H x W x D	120 mm / 11.5 mm / 76 mm
Note	

Ordering data

Module variants	
	Analogue input module, 8 channels, RTD
Note	

Accessories

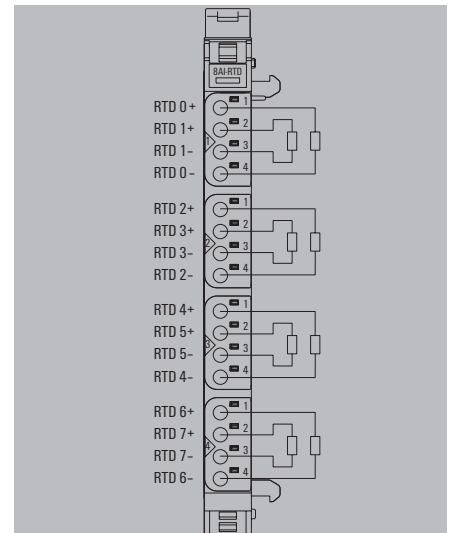
	Coding elements
	Termination kit
	Swivel marker
	Connection marker for pusher custom printing
	Connection marker for pusher neutral
	Module marker for custom printing
	Module marker for neutral
	Thermotransfer version (Material: Polyester)
	Thermotransfer version (material: polyester)
	Paper version for Laserprinter
Replacement parts	
	Electronic module
	Basic module
	Plug-in connector unit
Note	

UR20-8AI-RTD-DIAG-2W



Type		
UR20-8AI-RTD-DIAG-2W	Qty. 1	Order No. 2555940000

Type	Qty.	Order No.
KOSM BHZ5.00	100	1483050000
UR20-EBK-ACC	5	1346610000
UR20-SM-ACC	20	1339920000
PM 2.7/2.6 MC SDR	192	1323700000
PM 2.7/2.6 MC NE WS	960	1323710000
DEK 5/8-11.5 MC SDR	100	1341610000
DEK 5/8-11.5 MC NE WS	500	1341630000
THM UR20 GE	1	1429910000
THM UR20 WS	1	1429420000
ESD UR20 DIN A4 WS	10	1429430000
Replacement parts		
UR20-EM-2555940000-SP	1	2593310000
UR20-BM-SP	5	1350930000
UR20-PK-2555940000-SP	5	2593300000
Note		



Product standard	IEC 61131-2
EMC	EN IEC 61000
ATEX	EN 60079
UL	UL 508
MSIP	MSIP-REM-WMG-2555940000
CCC	available
EAC	available
ABS (American Bureau of Shipping)	not available
BSH (Federal Maritime and Hydrographic Agency)	available
BV (Bureau Veritas)	available
DNV (Det Norske Veritas)	available
LR (Lloyd's Register)	available
RINA (Registro Italiano Navale)	available
KR (Korean Register)	not available
NK (Nippon Kaiji Kyokai)	not available
PRS (Polish Register of Shipping)	not available
RMRoS (Russian Maritime Register of Shipping)	not available
You can find the latest information online at www.weidmuller.com	

Temperature modules and potentiometer input module

4AI-TC-DIAG

- 4 analogue inputs
- Various TC sensors
- High accuracy of 0.2 % FSR
- 16-bit resolution
- Individual channel diagnosis
- Internal or external cold-junction compensation possible
- Automatic 50 and 60 Hz suppression

UR20-4AI-TC-DIAG



Technical data

System data

Interface
Transmission speed of system bus, max.
Galvanic isolation

Supply

Voltage supply
Current consumption I_m (power segment of the field bus coupler), typ.
Current consumption I_m (the respective power segment)

Analogue inputs

Number of analogue inputs
Type
Resolution
Accuracy
Sensor connection
cold junction compensation
Temperature coefficient
Temperature range
Conversion time
Internal resistance U
Module diagnosis
Individual channel diagnosis
Reverse polarity protection

General data

Weight
Dimensions H x W x D

Note

u-remote system bus
48 Mbit
DC 500 V between current paths

24 V DC +20 %/-15 %, via the system bus
8 mA
< 20 mA

4
J, K, T, B, N, E, R, S, L, U, C, mV
16 Bit
0.2% FSR
2-wire
Internal and external (int. accuracy ≤ 3 K)
 ≤ 50 ppm/K
-200...2315 °C
adjustable, 36...240 ms
1 M Ω
Yes
Yes
Yes

86 g
120 mm / 11.5 mm / 76 mm

Ordering data

Module variants

Analogue input module, 4 channels, thermocouple

Note

Type	Qty.	Order No.
UR20-4AI-TC-DIAG	1	1315710000

Accessories

Coding elements
Termination kit
Swivel marker
Connection marker for pusher custom printing
Connection marker for pusher neutral
Module marker for custom printing
Module marker for neutral
Thermotransfer version (Material: Polyester)
Thermotransfer version (material: polyester)
Paper version for Laserprinter

Replacement parts

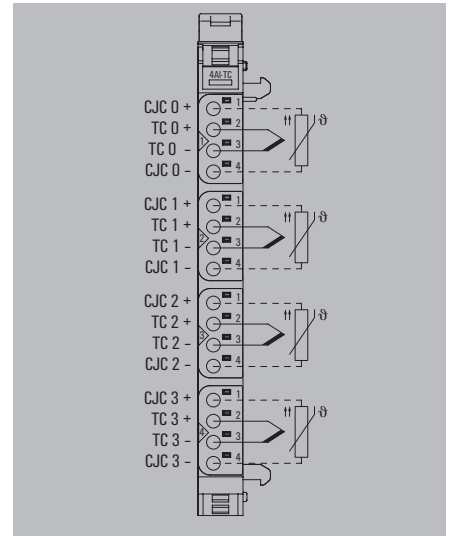
Electronic module
Basic module
Plug-in connector unit

Note

Type	Qty.	Order No.
KOSM BHZ5.00	100	1483050000
UR20-EBK-ACC	5	1346610000
UR20-SM-ACC	20	1339920000
PM 2.7/2.6 MC SDR	192	1323700000
PM 2.7/2.6 MC NE WS	960	1323710000
DEK 5/8-11.5 MC SDR	100	1341610000
DEK 5/8-11.5 MC NE WS	500	1341630000
THM UR20 GE	1	1429910000
THM UR20 WS	1	1429420000
ESO UR20 DIN A4 WS	10	1429430000

UR20-EM-1315710000-SP	1	1435740000
UR20-BM-SP	5	1350930000
UR20-PK-1315710000-SP	5	1484050000

1 roll = 1000 label = 1 Qty.
1 sheet = 60 label = 1 Qty.



Product standard	IEC 61131-2
EMC	EN IEC 61000
ATEX	EN 60079
UL	UL 61010-2-201
MSIP	MSIP-REM-WMG-1315710000
CCC	available
EAC	available
ABS (American Bureau of Shipping)	available
BSH (Federal Maritime and Hydrographic Agency)	available
BV (Bureau Veritas)	available
DNV (Det Norske Veritas)	available
LR (Lloyd's Register)	available
RINA (Registro Italiano Navale)	available
KR (Korean Register)	available
NK (Nippon Kaiji Kyokai)	available
PRS (Polish Register of Shipping)	available
RMRoS (Russian Maritime Register of Shipping)	available

You can find the latest information online at www.weidmuller.com

4AI-R-HS-16-DIAG

- 4 potentiometer inputs
- Measuring range from 300 Ω ... 50 kΩ
- 500 μs conversion time
- 16 Bit resolution
- Accuracy < ± 0.25 % FSR
- Individual calibration and scaling

UR20-4AI-R-HS-16-DIAG



Technical data

System data	
Interface	u-remote system bus
Transmission speed of system bus, max.	48 Mbit
Galvanic isolation	500 V DC between the current paths
Supply	
Voltage supply	24 V DC +20 %/-15 %, via the system bus
Current consumption I _m (power segment of the field bus coupler), typ.	8 mA
Current consumption I _m (the respective power segment)	26 mA
Analogue inputs	
Number of analogue inputs	4
Sensor connection	3-wire, 3-wire + FE
Input value	Ratiometric potentiometer evaluation with own power supply
Measurement range	300 Ω ... 50 kΩ
Conversion time	typ. 500 μs (typ. 625 μs at 50 Hz / typ. 521 μs at 60 Hz frequency suppression)
Resolution	16 Bit
Accuracy	< ± 0.25 % FSR at 25 °C
Temperature coefficient	≤ 50 ppm/K
Input resistance	typ. 500 kΩ against the wiper connection
Voltage supply	24 V DC +20 %/-15 %, via the system bus
Current of supply voltage output	max. 0.05 A per channel, total 0.2 A
Wire-break recognition	Yes
Short-circuit-proof	Yes
Module diagnosis	Yes
Individual channel diagnosis	Yes
General data	
Weight	89 g
Dimensions H x W x D	120 mm / 11.5 mm / 76 mm
Note	

Type	Qty.	Order No.
UR20-4AI-R-HS-16-DIAG	1	2001670000

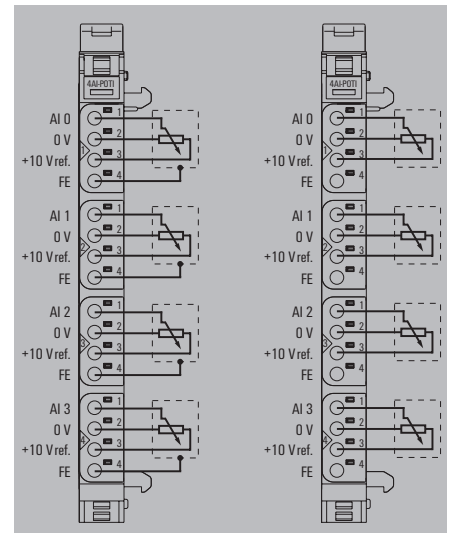
Ordering data

Module variants	
Analogue input module for potentiometer, 4 channels, 16 bits	
Note	

Accessories

Replacement parts	
Coding elements	
Termination kit	
Swivel marker	
Connection marker for pusher custom printing	
Connection marker for pusher neutral	
Module marker for custom printing	
Module marker for neutral	
Thermotransfer version (Material: Polyester)	
Thermotransfer version (material: polyester)	
Paper version for Laserprinter	
Note	

Type	Qty.	Order No.
KOSM BHZ5.00	100	1483050000
UR20-EBK-ACC	5	1346610000
UR20-SM-ACC	20	1339920000
PM 2.7/2.6 MC SDR	192	1323700000
PM 2.7/2.6 MC NE WS	960	1323710000
DEK 5/8-11.5 MC SDR	100	1341610000
DEK 5/8-11.5 MC NE WS	500	1341630000
THM UR20 GE	1	1429910000
THM UR20 WS	1	1429420000
ESD UR20 DIN A4 WS	10	1429430000
UR20-EM-2001670000-SP	1	2068640000
UR20-BM-SP	5	1350930000
UR20-PK-2001670000-SP	5	2068610000
1 roll = 1000 label = 1 Qty. 1 sheet = 60 label = 1 Qty.		



Product standard	IEC 61131-2
EMC	EN IEC 61000
ATEX	EN 60079
UL	UL 61010-2-201
MSIP	MSIP-REM-WMG-2001670000
CCC	available
EAC	available
ABS (American Bureau of Shipping)	available
BSH (Federal Maritime and Hydrographic Agency)	available
BV (Bureau Veritas)	available
DNV (Det Norske Veritas)	available
LR (Lloyd's Register)	available
RINA (Registro Italiano Navale)	available
KR (Korean Register)	not available
NK (Nippon Kaiji Kyokai)	available
PRS (Polish Register of Shipping)	not available
RMRoS (Russian Maritime Register of Shipping)	not available
You can find the latest information online at www.weidmuller.com	

Temperature modules and potentiometer input module

4AI-HART-16-DIAG

- 4 HART inputs
- max. 1 ms conversion time
- 16-bit resolution
- Accuracy 0,1 % FSR
- Individual channel diagnosis

UR20-4AI-HART-16-DIAG



Technical data

System data

Interface
Transmission speed of system bus, max.
Galvanic isolation

Supply

Voltage supply
Current consumption I_m (power segment of the field bus coupler), typ.
Current consumption I_m (the respective power segment)

Analogue inputs

Number of analogue inputs
Sensor connection
Input value
Conversion time
Resolution
Accuracy
Sensor supply
Internal resistance I
Voltage supply
Module diagnosis
Individual channel diagnosis

General data

Weight
Dimensions H x W x D

Note

u-remote system bus
48 Mbit
500 V DC between the current paths

24 V DC +20 %/-15 %, via the system bus
8 mA
27 mA + Sensor feed

4
2-wire, 3-wire, 4-wire
Current I (0...20 mA, 4...20 mA)
1 ms
16 Bit
0.1% FSR
Yes
250 Ω
24 V DC +20 %/-15 %, via the system bus
Yes
Yes

88 g
120 mm / 11.5 mm / 76 mm

Ordering data

Module variants

Analogue input module HART Master, 4 channels, 16 bits

Note

Type	Qty.	Order No.
UR20-4AI-HART-16-DIAG	1	2617520000

Accessories

Coding elements
Termination kit
Swivel marker
Connection marker for pusher custom printing
Connection marker for pusher neutral
Module marker for custom printing
Module marker for neutral
Thermotransfer version (Material: Polyester)
Thermotransfer version (material: polyester)
Paper version for Laserprinter

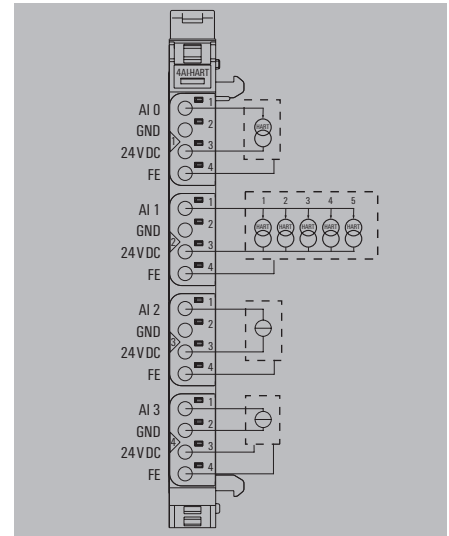
Replacement parts

Electronic module
Basic module
Plug-in connector unit

Note

Type	Qty.	Order No.
KOSM BHZ5.00	100	1483050000
UR20-EBK-ACC	5	1346610000
UR20-SM-ACC	20	1339920000
PM 2.7/2.6 MC SDR	192	1323700000
PM 2.7/2.6 MC NE WS	960	1323710000
DEK 5/8-11.5 MC SDR	100	1341610000
DEK 5/8-11.5 MC NE WS	500	1341630000
THM UR20 GE	1	1429910000
THM UR20 WS	1	1429420000
ESO UR20 DIN A4 WS	10	1429430000

UR20-EM-2617520000-SP	5	2702570000
UR20-BM-SP	5	1350930000
UR20-PK-2617520000-SP	5	2702540000



Product standard	IEC 61131-2
EMC	EN IEC 61000
ATEX	EN 60079
UL	UL 61010-2-201
MSIP	MSIP-REM-WMG-2617520000
CCC	available
EAC	available
ABS (American Bureau of Shipping)	available
BSH (Federal Maritime and Hydrographic Agency)	available
BV (Bureau Veritas)	available
DNV (Det Norske Veritas)	available
LR (Lloyd's Register)	available
RINA (Registro Italiano Navale)	available
KR (Korean Register)	not available
NK (Nippon Kaiji Kyokai)	available
PRS (Polish Register of Shipping)	not available
RMRoS (Russian Maritime Register of Shipping)	not available

You can find the latest information online at www.weidmuller.com

Strain gauge module

2-channel module for u-remote load cell analysis

The UR20-2AI-SG-24-DIAG strain gauge module is an analogue input module designed for the connection of force sensors that use strain gauges. In this way, weights, torques or vibrations can be precisely recorded. The module can be calibrated via parametrisation. The web server can be used to calibrate the module with password protection, and the calibration settings are then documented.

C

The tare function can be triggered individually for each channel via a digital input or via software. Several sensors can be connected in parallel to each of the two channels in a 4- or 6-wire connection, as long as their input impedance is within the permissible sensor load. The resolution per channel is 24 bits with an accuracy of 0.01% of full scale. A status LED is assigned to each channel. The module electronic supplies the connected sensors from a potential electrogalvanised from the input current path (I_{IN}). The inputs are protected against voltage surges and overcurrent.

The u-remote strain gauge module enables the parallel analysis of measurement data from up to four load cells on a single channel.

UR20-2AI-SG-24-DIAG



2AI-SG-24-DIAG

- 2 differential inputs for DMS
- 24-bit resolution
- 4- or 6-wire connection
- Accuracy ±0.01% FSR
- Individual channel diagnosis

Technical data

System data	
Interface	u-remote system bus
Transmission speed of system bus, max.	48 Mbit
Galvanic isolation	500 V DC between the current paths
Supply	
Voltage supply	24 V DC +20 %/-15 %, via the system bus
Current consumption I _m (power segment of the field bus coupler), typ.	8 mA
Current consumption I _m (the respective power segment)	35 mA
Analogue inputs	
Number of analogue inputs	2
Input value	Differential, to evaluate a strain gauge full-bridge
Resolution	24 bit per channel
Accuracy	Customer calibration: ±0.01% FSR (100 ppm), ±1% FSR (with interference)
Supported sensor sensitivity	0.5 mV - 30 V, parameterisable
Temperature coefficient	< 10 ppm/K
Permissible sensor load	85 ... 5000 Ω
Conversion time	5 - 800 ms, parameterisable
Measurement range	± 150 mV
Module diagnosis	Yes
Individual channel diagnosis	Yes
Short-circuit-proof	Yes
Digital inputs	
Input filter	10 ms
Input voltage, high	> 11 V
Input voltage, low	< 5 V
Individual channel diagnosis	Yes
Short-circuit-proof	Yes
Module diagnosis	Yes
Input type	Type 1 in acc. with IEC 61131-2, Type 3 in acc. with IEC 61131-2
General data	
Weight	90 g
Dimensions H x W x D	120 mm / 11.5 mm / 76 mm
Note	

Ordering data

Module variants	
	Strain gauge module, 2 channels
Note	

Accessories

	Coding elements
	Termination kit
	Swivel marker
	Connection marker for pusher custom printing
	Connection marker for pusher neutral
	Module marker for custom printing
	Module marker for neutral
	Thermotransfer version (Material: Polyester)
	Thermotransfer version (material: polyester)
	Paper version for Laserprinter
Replacement parts	
	Electronic module
	Basic module
	Plug-in connector unit
Note	

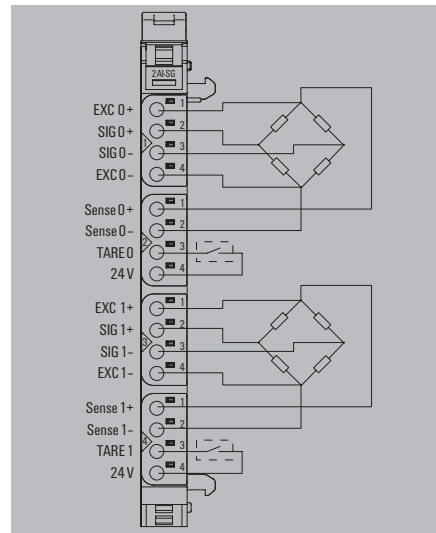
UR20-2AI-SG-24-DIAG



	u-remote system bus
	48 Mbit
	500 V DC between the current paths
	24 V DC +20 %/-15 %, via the system bus
	8 mA
	35 mA
	2
	Differential, to evaluate a strain gauge full-bridge
	24 bit per channel
	Customer calibration: ±0.01% FSR (100 ppm), ±1% FSR (with interference)
	0.5 mV - 30 V, parameterisable
	< 10 ppm/K
	85 ... 5000 Ω
	5 - 800 ms, parameterisable
	± 150 mV
	Yes
	Yes
	Yes
	10 ms
	> 11 V
	< 5 V
	Yes
	Yes
	Yes
	Type 1 in acc. with IEC 61131-2, Type 3 in acc. with IEC 61131-2
	90 g
	120 mm / 11.5 mm / 76 mm

Type	Qty.	Order No.
UR20-2AI-SG-24-DIAG	1	1990070000

Type	Qty.	Order No.
KOSM BHZ5.00	100	1483050000
UR20-EBK-ACC	5	1346610000
UR20-SM-ACC	20	1339920000
PM 2.7/2.6 MC SDR	192	1323700000
PM 2.7/2.6 MC NE WS	960	1323710000
DEK 5/8-11.5 MC SDR	100	1341610000
DEK 5/8-11.5 MC NE WS	500	1341630000
THM UR20 GE	1	1429910000
THM UR20 WS	1	1429420000
ESO UR20 DIN A4 WS	10	1429430000
UR20-EM-1990070000-SP	5	1562260000
UR20-BM-SP	5	1350930000
UR20-PK-1990070000-SP	5	2068620000



Product standard	IEC 61131-2
EMC	EN IEC 61000
ATEX	EN 60079
UL	UL 61010-2-201
MSIP	MSIP-REM-WMG-1990070000
CCC	available
EAC	available
ABS (American Bureau of Shipping)	available
BSH (Federal Maritime and Hydrographic Agency)	available
BV (Bureau Veritas)	available
DNV (Det Norske Veritas)	available
LR (Lloyd's Register)	available
RINA (Registro Italiano Navale)	available
KR (Korean Register)	available
NK (Nippon Kaiji Kyokai)	available
PRS (Polish Register of Shipping)	available
RMRoS (Russian Maritime Register of Shipping)	available

You can find the latest information online at www.weidmuller.com



Power measurement module

Power measurement via 1- or 3-phase, rated voltage to 300 V_{eff}

The UR20-3EM-230V-AC power measurement module is used to acquire and process all relevant measured variables of a single-phase or three-phase power consumer (up to 500 V AC phase-to-phase voltage): current (effective, average, peak), voltage (effective, average), reactive, apparent and active power, energy consumption, power factor, frequency, overvoltage and undervoltage alarm, overcurrent and undercurrent alarm.

C

Currents up to 5 A can be measured directly with the module. The measurement in the outer conductor allows currents to be measured in star or delta connection without further external components. The module supplies data to the fieldbus via eight channels (16 bits each). The content of each individual data channel can be selected from 55 registers (currents, voltages, power factor, frequency as well as power and energy measurement). In addition, parameters for limit monitoring can be set so that exceeding or falling below limit values triggers a process alarm.

A status LED is assigned to each channel.

UR20-3EM-230V-AC



3EM-230V-AC

- 1- or 3-phase power measurement for 1 A or 5 A (with or without transformer)
- Measurement in the phase conductor
- 16 bit resolution
- Power-/ reactive power measurement
- Energy meter Active / reactive
- Power factor
- Frequency measurement 45 ... 65 Hz
- Analysis of 31 harmonics

Technical data

System data	
Interface	u-remote system bus
Transmission speed of system bus, max.	48 Mbit
Galvanic isolation	500 V DC between the current paths
Supply	
Voltage supply	24 V DC +20 %/- 15 %, via the system bus
Current consumption I_m (power segment of the field bus coupler), typ.	8 mA
Current consumption I_m (the respective power segment)	12 mA
Analogue inputs	
Number	3
Rated voltage	300 V_{eff} (L-N), 520 V_{eff} (L-L)
Resolution	16 bit per channel (internal 24 bit)
Sampling rate of current measurement	3,300 samples/s
Frequency of the supply system	45...65 Hz
Analysis of harmonic	31 (Blackmann-Harris Window)
Power rating	0...1 A / 0...5 A AC
Insulation	1.5 kV_{eff} (input / system)
Nominal peak voltage	4
Category for voltage measurements	CAT II (IEC 61010 Part 1)
Measurement method	High Resolution Delta Sigma (current measurement in outer conductor)
Measurement accuracy	0.5% in relation to final value (U / I), 1% for the calculated values
Connectable converter ratios	1 ... 1000
Input impedance voltage	2.4 M Ω per channel
Measurement resistance (shunt)	4 m Ω (at 5 A), 20 m Ω (at 1 A)
General data	
Weight	90 g
Dimensions H x W x D	120 mm / 11.5 mm / 76 mm
Note	

Ordering data

Module variants	
	Power measurement module, 3 channels
Note	

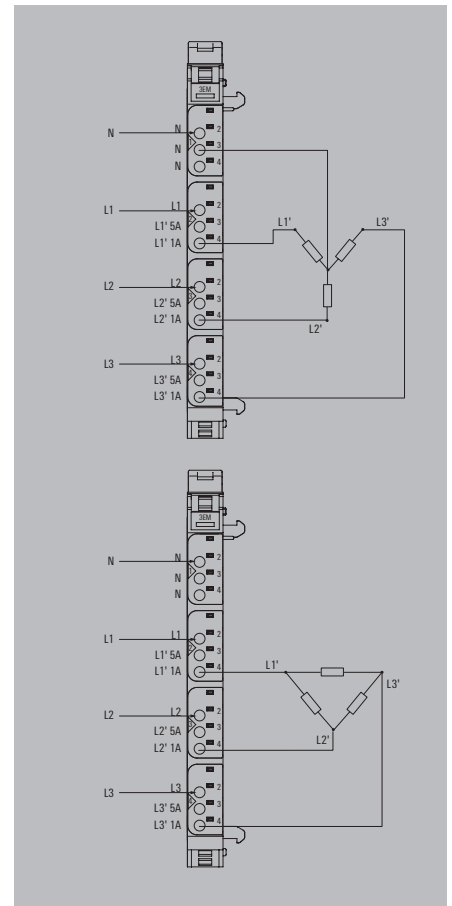
Accessories

	Coding elements	KOSM BHZ5.00	100	1483050000
	Termination kit	UR20-EBK-ACC	5	1346610000
	Swivel marker	UR20-SM-ACC	20	1339920000
	Connection marker for pusher custom printing	PM 2.7/2.6 MC SDR	192	1323700000
	Connection marker for pusher neutral	PM 2.7/2.6 MC NE WS	960	1323710000
	Module marker for custom printing	DEK 5/8-11.5 MC SDR	100	1341610000
	Module marker for neutral	DEK 5/8-11.5 MC NE WS	500	1341630000
	Thermotransfer version (Material: Polyester)	THM UR20 GE	1	1429910000
	Thermotransfer version (material: polyester)	THM UR20 WS	1	1429420000
	Paper version for Laserprinter	ESO UR20 DIN A4 WS	10	1429430000
Replacement parts				
	Electronic module	UR20-EM-2007420000-SP	1	1562270000
	Basic module	UR20-BM-SP	5	1350930000
	Plug-in connector unit	UR20-PK-2007420000-SP	5	2068630000
Note				

UR20-3EM-230V-AC



Type		
Type	Qty.	Order No.
UR20-3EM-230V-AC	1	2007420000
Type		
Type	Qty.	Order No.
KOSM BHZ5.00	100	1483050000
UR20-EBK-ACC	5	1346610000
UR20-SM-ACC	20	1339920000
PM 2.7/2.6 MC SDR	192	1323700000
PM 2.7/2.6 MC NE WS	960	1323710000
DEK 5/8-11.5 MC SDR	100	1341610000
DEK 5/8-11.5 MC NE WS	500	1341630000
THM UR20 GE	1	1429910000
THM UR20 WS	1	1429420000
ESO UR20 DIN A4 WS	10	1429430000
UR20-EM-2007420000-SP	1	1562270000
UR20-BM-SP	5	1350930000
UR20-PK-2007420000-SP	5	2068630000



Product standard	IEC 61131-2
EMC	EN IEC 61000
ATEX	not available
UL	UL 61010-2-201
MSIP	MSIP-REM-WMG-2007420000
CCC	not available
EAC	available
ABS (American Bureau of Shipping)	available
BSH (Federal Maritime and Hydrographic Agency)	available
BV (Bureau Veritas)	available
DNV (Det Norske Veritas)	available
LR (Lloyd's Register)	available
RINA (Registro Italiano Navale)	available
KR (Korean Register)	available
NK (Nippon Kaiji Kyokai)	available
PRS (Polish Register of Shipping)	available
RMRS (Russian Maritime Register of Shipping)	available

You can find the latest information online at www.weidmuller.com

Analogue output modules

2- or 4-wire connection, 16-bit resolution, 4 outputs

The analogue output modules can control up to 2 or 4 actuators with +/-10 V, +/-5 V, 0...10 V, 0...5 V, 2...10 V, 1...5 V, 0...20 mA or 4...20 mA. The resolution is 16 bits per channel. An actuator can be connected to each connector in a 2-wire or 4-wire connection. The internal switching is automatic. The output range is defined using parametrisation. A status LED is assigned to each channel. The outputs are supplied from the output current path (I_{OUT}) and are decoupled from the system bus (I_{SYS}).

"DIAG" module: the module provides individual channel diagnosis with channel-related fault messages.

"M" module: the module is approved for usage in industrial, marine and offshore applications.

"ISO" module: actuators can only be connected in a 2-wire connection. The outputs are not only decoupled from the system bus (I_{SYS}), but also from the output current path (I_{OUT}) and from each other.

The outputs are supplied from the output current path (U_{OUT}).

UR20-4A0-UI-16



UR20-4A0-UI-16-M



UR20-4A0-UI-16-DIAG



UR20-4A0-UI-16-M-DIAG



UR20-4A0-UI-16-HD



UR20-4A0-UI-16-DIAG-HD



UR20-2A0-UI-16



UR20-2A0-UI-16-DIAG



UR20-2A0-UI-ISO-16-DIAG



2A0-UI-16

- 2 analogue outputs
- Outputs can be parameterised by channel (voltage, current)
- 16-bit resolution
- 2- and 4-wire connection
- Short-circuit-proof

Technical data

System data	
Interface	u-remote system bus
Transmission speed of system bus, max.	48 Mbit
Galvanic isolation	500 V DC between the current paths
Supply	
Voltage supply	24 V DC +20 %/-15 %, via the system bus
Current consumption I _{in} (power segment of the field bus coupler), typ.	8 mA
Current consumption from I _{OUT} (the respective power segment)	110 mA
Analogue outputs	
Number of analogue outputs	2
Output variable	Voltage (0...5 V, 0...10 V, 1...5 V, 2...10 V, ±10 V, ±5 V), Current (0...20 mA or 4...20 mA)
Response time	1 ms / 2 channels
Resolution	16 Bit
Accuracy	±0,1 % FSR max., 0,05 % FSR typ.
Load impedance voltage	> 1 kΩ (at >50 °C ambient temperature, max. total sensor current = 25 mA)
Load impedance current	< 600 Ω
Actuator connection	2-wire (automatic detection), 4-wire
Temperature coefficient	30 ppm/K
Max. error between T min. and T max.	0.24 % FSR
Monotonicity	Yes
Cross-talk between the channels	0.001 % FSR
Repeat accuracy	< 1 mV eff.
Module diagnosis	Yes
Substitute values	Yes
General data	
Weight	85.76 g
Dimensions H x W x D	120 mm / 11.5 mm / 76 mm
Note	

Ordering data

Module variants	
	Analogue output module, 2 channels, 16 bits
Note	

Accessories

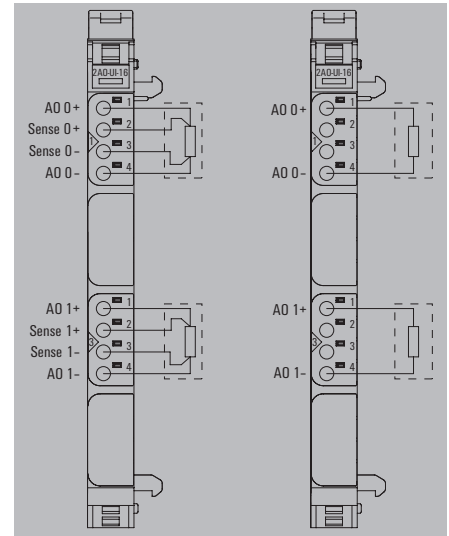
	Coding elements
	Termination kit
	Swivel marker
Connection marker for pusher custom printing	
Connection marker for pusher neutral	
Module marker for custom printing	
Module marker for neutral	
Thermotransfer version (Material: Polyester)	
Thermotransfer version (material: polyester)	
Paper version for Laserprinter	
Replacement parts	
	Electronic module
	Basic module
	Plug-in connector unit
Note	

UR20-2A0-UI-16



Type		Qty.	Order No.
UR20-2A0-UI-16		1	2705630000

Type	Qty.	Order No.
KOSM BHZ5.00	100	1483050000
UR20-EBK-ACC	5	1346610000
UR20-SM-ACC	20	1339920000
PM 2.7/2.6 MC SDR	192	1323700000
PM 2.7/2.6 MC NE WS	960	1323710000
DEK 5/8-11.5 MC SDR	100	1341610000
DEK 5/8-11.5 MC NE WS	500	1341630000
THM UR20 GE	1	1429910000
THM UR20 WS	1	1429420000
ESO UR20 DIN A4 WS	10	1429430000
UR20-EM-2705630000-SP		2777420000
UR20-BM-SP	5	1350930000
UR20-PK-2705630000-SP		2777410000



Product standard	IEC 61131-2
EMC	EN IEC 61000
ATEX	EN 60079
UL	UL 61010-2-201
MSIP	MSIP-REM-WMG-2705630000
CCC	not available
EAC	available
ABS (American Bureau of Shipping)	not available
BSH (Federal Maritime and Hydrographic Agency)	not available
BV (Bureau Veritas)	not available
DNV (Det Norske Veritas)	not available
LR (Lloyd's Register)	not available
RINA (Registro Italiano Navale)	not available
KR (Korean Register)	not available
NK (Nippon Kaiji Kyokai)	not available
PRS (Polish Register of Shipping)	not available
RMRoS (Russian Maritime Register of Shipping)	not available
You can find the latest information online at www.weidmuller.com	

Analogue output modules

4AO-UI-16

- 4 analogue outputs
- Outputs can be parameterised by channel (voltage, current)
- 16-bit resolution
- 2- and 4-wire connection
- Accuracy typ. 0.05% FSR
- Replacement values can be set per channel
- Reactionless
- Short-circuit-proof

Technical data

System data	
Interface	u-remote system bus
Transmission speed of system bus, max.	48 Mbit
Galvanic isolation	DC 500 V between current paths
Supply	
Voltage supply	24 V DC +20 %/-15 %, via the system bus
Current consumption I_{in} (power segment of the field bus coupler), typ.	8 mA
Current consumption from I_{out} (the respective power segment)	85 mA
Analogue outputs	
Number of analogue outputs	4
Output variable	Voltage (0...5 V, 0...10 V, 1...5 V, 2...10 V, ± 10 V, ± 5 V), Current (0...20 mA or 4...20 mA)
Response time	1 ms / 4 channels
Resolution	16 Bit
Accuracy	$\pm 0,1$ % FSR max., 0,05 % FSR typ.
Load impedance voltage	> 1 k Ω (at >50 °C ambient temperature, max. total sensor current = 25 mA)
Load impedance current	< 600 Ω
Actuator connection	2-wire (automatic detection), 4-wire
Temperature coefficient	20 ppm voltage / 31 ppm current measurement / °K
Max. error between T min. and T max.	220 ppm FSR
Monotonicity	Yes
Cross-talk between the channels	0.001 % FSR
Repeat accuracy	< 1 mV eff.
Module diagnosis	Yes
Substitute values	Yes
General data	
Weight	87 g
Dimensions H x W x D	120 mm / 11.5 mm / 76 mm
Note	

Ordering data

Module variants	
	Analogue output module, 4 channels, 16 Bit
Note	

Accessories

	Coding elements
	Termination kit
	Swivel marker
	Connection marker for pusher custom printing
	Connection marker for pusher neutral
	Module marker for custom printing
	Module marker for neutral
	Thermotransfer version (Material: Polyester)
	Thermotransfer version (material: polyester)
	Paper version for Laserprinter
Replacement parts	
	Electronic module
	Basic module
	Plug-in connector unit
Note	

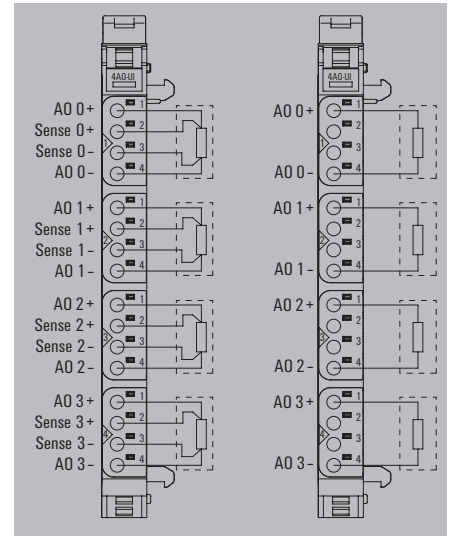
UR20-4AO-UI-16



Interface	u-remote system bus
Transmission speed of system bus, max.	48 Mbit
Galvanic isolation	DC 500 V between current paths
Supply	
Voltage supply	24 V DC +20 %/-15 %, via the system bus
Current consumption I_{in} (power segment of the field bus coupler), typ.	8 mA
Current consumption from I_{out} (the respective power segment)	85 mA
Analogue outputs	
Number of analogue outputs	4
Output variable	Voltage (0...5 V, 0...10 V, 1...5 V, 2...10 V, ± 10 V, ± 5 V), Current (0...20 mA or 4...20 mA)
Response time	1 ms / 4 channels
Resolution	16 Bit
Accuracy	$\pm 0,1$ % FSR max., 0,05 % FSR typ.
Load impedance voltage	> 1 k Ω (at >50 °C ambient temperature, max. total sensor current = 25 mA)
Load impedance current	< 600 Ω
Actuator connection	2-wire (automatic detection), 4-wire
Temperature coefficient	20 ppm voltage / 31 ppm current measurement / °K
Max. error between T min. and T max.	220 ppm FSR
Monotonicity	Yes
Cross-talk between the channels	0.001 % FSR
Repeat accuracy	< 1 mV eff.
Module diagnosis	Yes
Substitute values	Yes
General data	
Weight	87 g
Dimensions H x W x D	120 mm / 11.5 mm / 76 mm
Note	

Type	Qty.	Order No.
UR20-4AO-UI-16	1	1315680000

Type	Qty.	Order No.
KOSM BHZ5.00	100	1483050000
UR20-EBK-ACC	5	1346610000
UR20-SM-ACC	20	1339920000
PM 2.7/2.6 MC SDR	192	1323700000
PM 2.7/2.6 MC NE WS	960	1323710000
DEK 5/8-11.5 MC SDR	100	1341610000
DEK 5/8-11.5 MC NE WS	500	1341630000
THM UR20 GE	1	1429910000
THM UR20 WS	1	1429420000
ESO UR20 DIN A4 WS	10	1429430000
Replacement parts		
UR20-EM-1315680000-SP	1	1347270000
UR20-BM-SP	5	1350930000
UR20-PK-1315680000-SP	5	1484070000
1 roll = 1000 label = 1 Qty. 1 sheet = 60 label = 1 Qty.		



Product standard	IEC 61131-2
EMC	EN IEC 61000
ATEX	EN 60079
UL	UL 61010-2-201
MSIP	MSIP-REM-WMG-1315680000
CCC	available
EAC	available
ABS (American Bureau of Shipping)	not available
BSH (Federal Maritime and Hydrographic Agency)	not available
BV (Bureau Veritas)	not available
DNV (Det Norske Veritas)	not available
LR (Lloyd's Register)	not available
RINA (Registro Italiano Navale)	not available
KR (Korean Register)	not available
NK (Nippon Kaiji Kyokai)	not available
PRS (Polish Register of Shipping)	not available
RMRoS (Russian Maritime Register of Shipping)	not available
You can find the latest information online at www.weidmuller.com	

4AO-UI-16-M

- Approved for ship automation
- 4 analogue outputs
- Outputs can be parameterised by channel (voltage, current)
- 16-bit resolution
- 2- and 4-wire connection
- Accuracy typ. 0.05% FSR
- Replacement values can be set per channel
- Reactionless
- Short-circuit-proof

Technical data

System data	
Interface	u-remote system bus
Transmission speed of system bus, max.	48 Mbit
Galvanic isolation	DC 500 V between current paths
Supply	
Voltage supply	24 V DC +30 % / -25 %, via the system bus
Current consumption I _{in} (power segment of the field bus coupler), typ.	8 mA
Current consumption from I _{OUT} (the respective power segment)	85 mA
Analogue outputs	
Number of analogue outputs	4
Output variable	Voltage (0...5 V, 0...10 V, 1...5 V, 2...10 V, ±10 V, ±5 V), Current (0...20 mA or 4...20 mA)
Response time	1 ms / 4 channels
Resolution	16 Bit
Accuracy	±0,1 % FSR max., 0,05 % FSR typ.
Load impedance voltage	> 1 kΩ (at >50 °C ambient temperature, max. total sensor current = 25 mA)
Load impedance current	< 600 Ω
Actuator connection	2-wire (automatic detection), 4-wire
Temperature coefficient	20 ppm voltage / 31 ppm current measurement / °K
Max. error between T min. and T max.	220 ppm FSR
Monotonicity	Yes
Cross-talk between the channels	0.001 % FSR
Repeat accuracy	< 1 mV eff.
Module diagnosis	Yes
Substitute values	Yes
General data	
Weight	94 g
Dimensions H x W x D	120 mm / 11.5 mm / 76 mm
Note	

Ordering data

Module variants	
	Analogue output module, 4 channels, 16 Bit
Note	

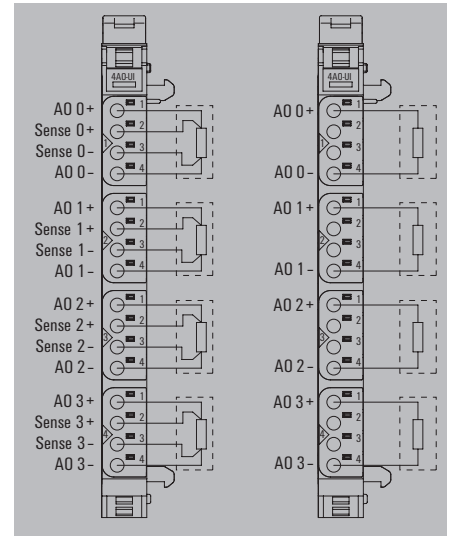
Accessories

	Coding elements
	Termination kit
	Swivel marker
Connection marker for pusher custom printing	PM 2.7/2.6 MC SDR
Connection marker for pusher neutral	PM 2.7/2.6 MC NE WS
Module marker for custom printing	DEK 5/8-11.5 MC SDR
Module marker for neutral	DEK 5/8-11.5 MC NE WS
Thermotransfer version (Material: Polyester)	THM UR20 GE
Thermotransfer version (material: polyester)	THM UR20 WS
Paper version for Laserprinter	ESO UR20 DIN A4 WS
Replacement parts	
	Electronic module
	Basic module
	Plug-in connector unit
Note	

UR20-4AO-UI-16-M



Type		
UR20-4AO-UI-16-M	Qty. 1	Order No. 2453880000
Type		
KOSM BHZ5.00	Qty. 100	Order No. 1483050000
UR20-EBK-ACC	Qty. 5	Order No. 1346610000
UR20-SM-ACC	Qty. 20	Order No. 1339920000
PM 2.7/2.6 MC SDR	Qty. 192	Order No. 1323700000
PM 2.7/2.6 MC NE WS	Qty. 960	Order No. 1323710000
DEK 5/8-11.5 MC SDR	Qty. 100	Order No. 1341610000
DEK 5/8-11.5 MC NE WS	Qty. 500	Order No. 1341630000
THM UR20 GE	Qty. 1	Order No. 1429910000
THM UR20 WS	Qty. 1	Order No. 1429420000
ESO UR20 DIN A4 WS	Qty. 10	Order No. 1429430000
Type		
UR20-EM-2453880000-SP	Qty. 1	Order No. 2508790000
UR20-BM-SP	Qty. 5	Order No. 1350930000
UR20-PK-2453880000-SP	Qty. 5	Order No. 2508770000
1 roll = 1000 label = 1 Qty. 1 sheet = 60 label = 1 Qty.		



Product standard	
IEC 61131-2	
EMC	
EN IEC 61000	
ATEX	
EN 60079	
UL	
UL 61010-2-201	
MSIP	
not available	
CCC	
available	
EAC	
available	
ABS (American Bureau of Shipping)	available
BSH (Federal Maritime and Hydrographic Agency)	available
BV (Bureau Veritas)	available
DNV (Det Norske Veritas)	available
LR (Lloyd's Register)	available
RINA (Registro Italiano Navale)	available
KR (Korean Register)	available
NK (Nippon Kaiji Kyokai)	available
PRS (Polish Register of Shipping)	available
RMRoS (Russian Maritime Register of Shipping)	available
You can find the latest information online at www.weidmuller.com	

Analogue output modules

2A0-UI-16-DIAG

- 2 analogue outputs
- Extended diagnostic function
- Outputs can be parameterised by channel (voltage, current)
- 16-bit resolution
- 2- and 4-wire connection
- Short-circuit-proof

Technical data

System data

Interface
Transmission speed of system bus, max.
Galvanic isolation

Supply

Voltage supply
Current consumption I_{in} (power segment of the field bus coupler), typ.
Current consumption from I_{out} (the respective power segment)

Analogue outputs

Number of analogue outputs
Output variable

Response time

Resolution

Accuracy

Load impedance voltage

Load impedance current

Actuator connection

Temperature coefficient

Max. error between T min. and T max.

Monotonicity

Cross-talk between the channels

Repeat accuracy

Module diagnosis

Substitute values

General data

Weight
Dimensions H x W x D

Note

Ordering data

Module variants

Analogue output module, 2 channels, 16 bits, diagnosis functions

Note

Accessories

	Coding elements
	Termination kit
	Swivel marker
	Connection marker for pusher custom printing
	Connection marker for pusher neutral
	Module marker for custom printing
	Module marker for neutral
	Thermotransfer version (Material: Polyester)
	Thermotransfer version (material: polyester)
	Paper version for Laserprinter

Replacement parts

	Electronic module
	Basic module
	Plug-in connector unit

Note

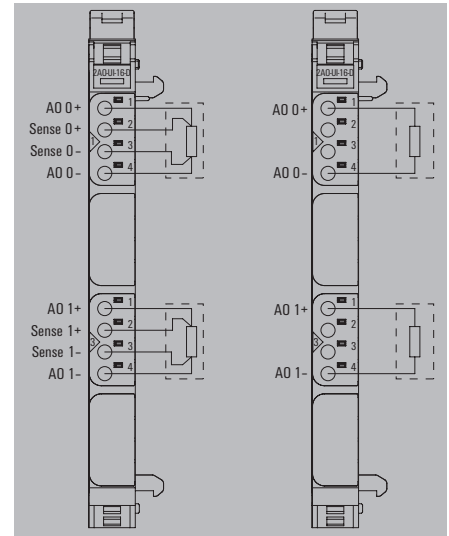
UR20-2A0-UI-16-DIAG



u-remote system bus	48 Mbit
DC 500 V between current paths	
24 V DC +20 %/-15 %, via the system bus	8 mA
	110 mA
2	
Voltage (0...5 V, 0...10 V, 1...5 V, 2...10 V, ±10 V, ±5 V), Current (0...20 mA or 4...20 mA)	1 ms / 2 channels
	16 Bit
	±0,1 % FSR max., 0,05 % FSR typ.
	> 1 kΩ (at >50 °C ambient temperature, max. total sensor current = 25 mA)
	< 600 Ω
	2-wire (automatic detection), 4-wire
	30 ppm/K
	0,24 % FSR
	Yes
	0,001 % FSR
	< 1 mV eff.
	Yes
	Yes
	86,2 g
	120 mm / 11,5 mm / 76 mm

Type	Qty.	Order No.
UR20-2A0-UI-16-DIAG	1	2566100000

Type	Qty.	Order No.
KOSM BHZ5.00	100	1483050000
UR20-EBK-ACC	5	1346610000
UR20-SM-ACC	20	1339920000
PM 2.7/2.6 MC SDR	192	1323700000
PM 2.7/2.6 MC NE WS	960	1323710000
DEK 5/8-11.5 MC SDR	100	1341610000
DEK 5/8-11.5 MC NE WS	500	1341630000
THM UR20 GE	1	1429910000
THM UR20 WS	1	1429420000
ESO UR20 DIN A4 WS	10	1429430000
UR20-EM-2566100000-SP	1	2568380000
UR20-BM-SP	5	1350930000
UR20-PK-2566100000-SP	5	2568340000



Product standard	IEC 61131-2
EMC	EN IEC 61000
ATEX	EN 60079
UL	UL 61010-2-201
MSIP	MSIP-REM-WMG-2566100000
CCC	not available
EAC	available
ABS (American Bureau of Shipping)	not available
BSH (Federal Maritime and Hydrographic Agency)	not available
BV (Bureau Veritas)	not available
DNV (Det Norske Veritas)	not available
LR (Lloyd's Register)	not available
RINA (Registro Italiano Navale)	not available
KR (Korean Register)	not available
NK (Nippon Kaiji Kyokai)	not available
PRS (Polish Register of Shipping)	not available
RMRoS (Russian Maritime Register of Shipping)	not available

You can find the latest information online at www.weidmuller.com

2AO-UI-ISO-16-DIAG

- 2 analogue outputs
- Extended diagnostic function
- Outputs can be parameterised by channel (voltage, current)
- 16-bit resolution
- 2- and 4-wire connection
- Short-circuit-proof

Technical data

System data	
Interface	u-remote system bus
Transmission speed of system bus, max.	48 Mbit
Galvanic isolation	500 V DC between the current paths
Supply	
Voltage supply	24 V DC +20 %/-15 %, via the system bus
Current consumption I _{in} (power segment of the field bus coupler), typ.	8 mA
Current consumption from I _{OUT} (the respective power segment)	110 mA
Analogue outputs	
Number of analogue outputs	2
Output variable	Voltage (0...5 V, 0...10 V, 1...5 V, 2...10 V, ±10 V, ±5 V), Current (0...20 mA or 4...20 mA)
Response time	1 ms / 2 channels
Resolution	16 Bit
Accuracy	±0,1 % FSR max., 0,05 % FSR typ.
Load impedance voltage	≥ 1 kΩ
Load impedance current	< 600 Ω
Actuator connection	2-wire
Temperature coefficient	30 ppm/K
Max. error between T min. and T max.	0.24 % FSR
Monotonicity	Yes
Cross-talk between the channels	0.001 % FSR
Repeat accuracy	< 1 mV eff.
Module diagnosis	Yes
Substitute values	Yes
General data	
Weight	85 g
Dimensions H x W x D	120 mm / 11.5 mm / 76 mm
Note	

Ordering data

Module variants	
Analogue output module, 2 channels, 16 bits, diagnosis functions	
Note	

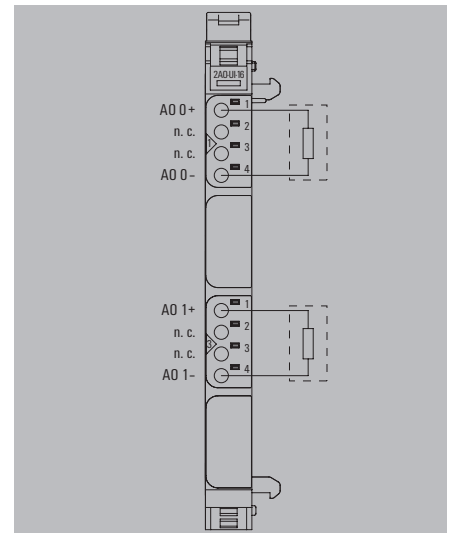
Accessories

Coding elements	
Termination kit	
Swivel marker	
Connection marker for pusher custom printing	
Connection marker for pusher neutral	
Module marker for custom printing	
Module marker for neutral	
Thermotransfer version (Material: Polyester)	
Thermotransfer version (material: polyester)	
Paper version for Laserprinter	
Replacement parts	
Electronic module	
Basic module	
Plug-in connector unit	
Note	

UR20-2AO-UI-ISO-16-DIAG



Type		
UR20-2AO-UI-ISO-16-DIAG	Qty. 1	Order No. 2566970000
Type		
KOSM BHZ5.00	Qty. 100	Order No. 1483050000
UR20-EBK-ACC	Qty. 5	Order No. 1346610000
UR20-SM-ACC	Qty. 20	Order No. 1339920000
PM 2.7/2.6 MC SDR	Qty. 192	Order No. 1323700000
PM 2.7/2.6 MC NE WS	Qty. 960	Order No. 1323710000
DEK 5/8-11.5 MC SDR	Qty. 100	Order No. 1341610000
DEK 5/8-11.5 MC NE WS	Qty. 500	Order No. 1341630000
THM UR20 GE	Qty. 1	Order No. 1429910000
THM UR20 WS	Qty. 1	Order No. 1429420000
ESD UR20 DIN A4 WS	Qty. 10	Order No. 1429430000
Type		
UR20-EM-2566970000-SP	Qty. 1	Order No. 2568370000
UR20-BM-SP	Qty. 5	Order No. 1350930000
UR20-PK-2566970000-SP	Qty. 5	Order No. 2568330000
Note		



Product standard		
Product standard	IEC 61131-2	
EMC	EN IEC 61000	
ATEX	EN 60079	
UL	UL 61010-2-201	
MSIP	MSIP-REM-WMG-2566970000	
CCC	not available	
EAC	available	
ABS (American Bureau of Shipping)	not available	
BSH (Federal Maritime and Hydrographic Agency)	available	
BV (Bureau Veritas)	not available	
DNV (Det Norske Veritas)	not available	
LR (Lloyd's Register)	not available	
RINA (Registro Italiano Navale)	not available	
KR (Korean Register)	not available	
NK (Nippon Kaiji Kyokai)	not available	
PRS (Polish Register of Shipping)	not available	
RMRoS (Russian Maritime Register of Shipping)	not available	
You can find the latest information online at www.weidmuller.com		

Analogue output modules

4A0-UI-16-DIAG

- Extended diagnostic function
- 4 analogue outputs
- Outputs can be parameterised by channel (voltage, current)
- 16-bit resolution
- 2- and 4-wire connection
- Accuracy typ. 0.05% FSR
- Replacement values can be set per channel
- Reactionless
- Short-circuit-proof

Technical data

System data

Interface
Transmission speed of system bus, max.
Galvanic isolation

Supply

Voltage supply
Current consumption I_{in} (power segment of the field bus coupler), typ.
Current consumption from I_{out} (the respective power segment)

Analogue outputs

Number of analogue outputs
Output variable

Response time
Resolution
Accuracy
Load impedance voltage

Load impedance current
Actuator connection
Temperature coefficient
Max. error between T min. and T max.
Monotonicity
Cross-talk between the channels
Repeat accuracy
Module diagnosis
Individual channel diagnosis
Substitute values

General data

Weight
Dimensions H x W x D

Note

Ordering data

Module variants

Analogue output module, 4 channels, 16 Bits, diagnosis functions

Note

Accessories

Coding elements
Termination kit
Swivel marker
Connection marker for pusher custom printing
Connection marker for pusher neutral
Module marker for custom printing
Module marker for neutral
Thermotransfer version (Material: Polyester)
Thermotransfer version (material: polyester)
Paper version for Laserprinter

Replacement parts

Electronic module
Basic module
Plug-in connector unit

Note

UR20-4A0-UI-16-DIAG



u-remote system bus
48 Mbit
500 V DC between the current paths

24 V DC +20 %/-15 %, via the system bus
8 mA
85 mA

4
Voltage (0...5 V, 0...10 V, 1...5 V, 2...10 V, ±10 V, ±5 V), Current (0...20 mA or 4...20 mA)

1 ms / 4 channels
16 Bit
±0,1 % FSR max., 0,05 % FSR typ.

> 1 kΩ (at >50 °C ambient temperature, max. total sensor current = 25 mA)
< 600 Ω

2-wire (automatic detection), 4-wire
20 ppm voltage / 31 ppm current measurement / °K
220 ppm FSR

Yes
0.001 % FSR
< 1 mV eff.

Yes
Yes
Yes

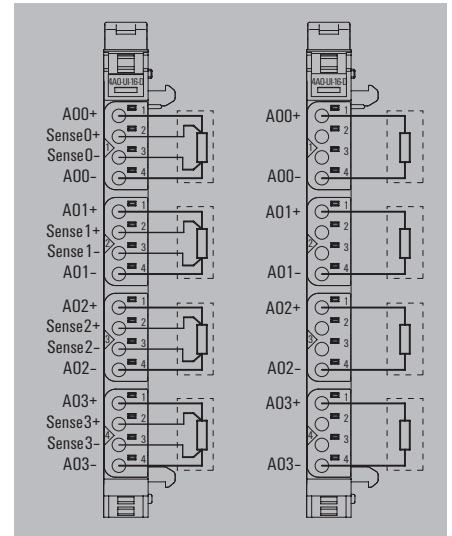
86 g
120 mm / 11.5 mm / 76 mm

Type	Qty.	Order No.
UR20-4A0-UI-16-DIAG	1	1315730000

Type	Qty.	Order No.
KOSM BHZ5.00	100	1483050000
UR20-EBK-ACC	5	1346610000
UR20-SM-ACC	20	1339920000
PM 2.7/2.6 MC SDR	192	1323700000
PM 2.7/2.6 MC NE WS	960	1323710000
DEK 5/8-11.5 MC SDR	100	1341610000
DEK 5/8-11.5 MC NE WS	500	1341630000
THM UR20 GE	1	1429910000
THM UR20 WS	1	1429420000
ESD UR20 DIN A4 WS	10	1429430000

UR20-EM-1315730000-SP	1	1347330000
UR20-BM-SP	5	1350930000
UR20-PK-1315730000-SP	5	1518880000

1 roll = 1000 label = 1 Qty.
1 sheet = 60 label = 1 Qty.



Product standard	IEC 61131-2
EMC	EN IEC 61000
ATEX	EN 60079
UL	UL 61010-2-201
MSIP	MSIP-REM-WMG-1315730000
CCC	available
EAC	available
ABS (American Bureau of Shipping)	not available
BSH (Federal Maritime and Hydrographic Agency)	not available
BV (Bureau Veritas)	not available
DNV (Det Norske Veritas)	not available
LR (Lloyd's Register)	not available
RINA (Registro Italiano Navale)	not available
KR (Korean Register)	not available
NK (Nippon Kaiji Kyokai)	not available
PRS (Polish Register of Shipping)	not available
RMRoS (Russian Maritime Register of Shipping)	not available

You can find the latest information online at www.weidmuller.com

4A0-UI-16-M-DIAG

- Approved for ship automation
- Extended diagnostic function
- 4 analogue outputs
- Outputs can be parameterised by channel (voltage, current)
- 16-bit resolution
- 2- and 4-wire connection
- Accuracy typ. 0.05% FSR
- Replacement values can be set per channel

Technical data

System data	
Interface	u-remote system bus
Transmission speed of system bus, max.	48 Mbit
Galvanic isolation	DC 500 V between current paths
Supply	
Voltage supply	24 V DC +30 %/ -25 %, via the system bus
Current consumption I _{in} (power segment of the field bus coupler), typ.	8 mA
Current consumption from I _{OUT} (the respective power segment)	85 mA
Analogue outputs	
Number of analogue outputs	4
Output variable	Voltage (0...5 V, 0...10 V, 1...5 V, 2...10 V, ±10 V, ±5 V), Current (0...20 mA or 4...20 mA)
Response time	1 ms / 4 channels
Resolution	16 Bit
Accuracy	±0,1 % FSR max., 0,05 % FSR typ.
Load impedance voltage	> 1 kΩ (at >50 °C ambient temperature, max. total sensor current = 25 mA)
Load impedance current	< 600 Ω
Actuator connection	2-wire (automatic detection), 4-wire
Temperature coefficient	20 ppm voltage / 31 ppm current measurement / °K
Max. error between T min. and T max.	220 ppm FSR
Monotonicity	Yes
Cross-talk between the channels	0.001 % FSR
Repeat accuracy	< 1 mV eff.
Module diagnosis	Yes
Individual channel diagnosis	Yes
Substitute values	Yes
General data	
Weight	94 g
Dimensions H x W x D	120 mm / 11.5 mm / 76 mm
Note	

Ordering data

Module variants	
Analogue output module, 4 channels, 16 Bits, diagnosis functions	
Note	

Accessories

Coding elements	
Termination kit	
Swivel marker	
Connection marker for pusher custom printing	
Connection marker for pusher neutral	
Module marker for custom printing	
Module marker for neutral	
Thermotransfer version (Material: Polyester)	
Thermotransfer version (material: polyester)	
Paper version for Laserprinter	
Replacement parts	
Electronic module	
Basic module	
Plug-in connector unit	
Note	

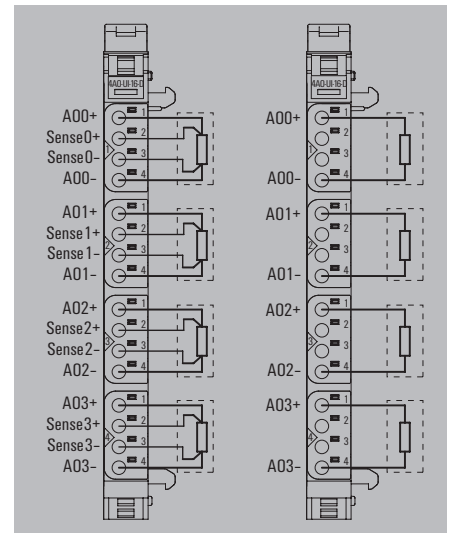
UR20-4A0-UI-16-M-DIAG



System data		
Interface	u-remote system bus	
Transmission speed of system bus, max.	48 Mbit	
Galvanic isolation	DC 500 V between current paths	
Supply		
Voltage supply	24 V DC +30 %/ -25 %, via the system bus	
Current consumption I _{in} (power segment of the field bus coupler), typ.	8 mA	
Current consumption from I _{OUT} (the respective power segment)	85 mA	
Analogue outputs		
Number of analogue outputs	4	
Output variable	Voltage (0...5 V, 0...10 V, 1...5 V, 2...10 V, ±10 V, ±5 V), Current (0...20 mA or 4...20 mA)	
Response time	1 ms / 4 channels	
Resolution	16 Bit	
Accuracy	±0,1 % FSR max., 0,05 % FSR typ.	
Load impedance voltage	> 1 kΩ (at >50 °C ambient temperature, max. total sensor current = 25 mA)	
Load impedance current	< 600 Ω	
Actuator connection	2-wire (automatic detection), 4-wire	
Temperature coefficient	20 ppm voltage / 31 ppm current measurement / °K	
Max. error between T min. and T max.	220 ppm FSR	
Monotonicity	Yes	
Cross-talk between the channels	0.001 % FSR	
Repeat accuracy	< 1 mV eff.	
Module diagnosis	Yes	
Individual channel diagnosis	Yes	
Substitute values	Yes	
General data		
Weight	94 g	
Dimensions H x W x D	120 mm / 11.5 mm / 76 mm	
Note		

Type	Qty.	Order No.
UR20-4A0-UI-16-M-DIAG	1	2453870000

Type	Qty.	Order No.
KOSM BHZ5.00	100	1483050000
UR20-EBK-ACC	5	1346610000
UR20-SM-ACC	20	1339920000
PM 2.7/2.6 MC SDR	192	1323700000
PM 2.7/2.6 MC NE WS	960	1323710000
DEK 5/8-11.5 MC SDR	100	1341610000
DEK 5/8-11.5 MC NE WS	500	1341630000
THM UR20 GE	1	1429910000
THM UR20 WS	1	1429420000
ESD UR20 DIN A4 WS	10	1429430000
Replacement parts		
UR20-EM-2453870000-SP	1	2508800000
UR20-BM-SP	5	1350930000
UR20-PK-2453870000-SP	5	2508780000
1 roll = 1000 label = 1 Qty. 1 sheet = 60 label = 1 Qty.		



Product standard	IEC 61131-2
EMC	EN IEC 61000
ATEX	EN 60079
UL	UL 61010-2-201
MSIP	not available
CCC	available
EAC	available
ABS (American Bureau of Shipping)	available
BSH (Federal Maritime and Hydrographic Agency)	available
BV (Bureau Veritas)	available
DNV (Det Norske Veritas)	available
LR (Lloyd's Register)	available
RINA (Registro Italiano Navale)	available
KR (Korean Register)	available
NK (Nippon Kaiji Kyokai)	available
PRS (Polish Register of Shipping)	available
RMRoS (Russian Maritime Register of Shipping)	available
You can find the latest information online at www.weidmuller.com	

Analogue output modules

4AO-UI-16-HD

- 4 analogue outputs
- Outputs can be parameterised by channel (voltage, current)
- 16-bit resolution
- 2- and 4-wire connection
- Accuracy typ. 0.05 % FSR
- Replacement values can be set per channel
- Non reactive

Technical data

System data	
Interface	u-remote system bus
Transmission speed of system bus, max.	48 Mbit
Galvanic isolation	500 V DC between the current paths
Supply	
Voltage supply	24 V DC +20 %/-15 %, via the system bus
Current consumption I _{in} (power segment of the field bus coupler), typ.	8 mA
Current consumption from I _{OUT} (the respective power segment)	85 mA
Analogue outputs	
Number of analogue outputs	4
Output variable	Voltage (0...5 V, 0...10 V, 1...5 V, 2...10 V, ±10 V, ±5 V), Current (0...20 mA or 4...20 mA)
Response time	1 ms / 4 channels
Resolution	16 Bit
Accuracy	±0,1 % FSR max., 0,05 % FSR typ.
Load impedance voltage	> 1 kΩ (at >50 °C ambient temperature, max. total sensor current = 25 mA)
Load impedance current	< 600 Ω
Actuator connection	2-wire (current and voltage), 3- and 4-wire (voltage), 2-wire (automatic detection)
Temperature coefficient	20 ppm voltage / 31 ppm current measurement / °K
Max. error between T min. and T max.	220 ppm FSR
Monotonicity	Yes
Cross-talk between the channels	0.001 % FSR
Repeat accuracy	< 1 mV eff.
Module diagnosis	Yes
Individual channel diagnosis	No
Substitute values	Yes
General data	
Weight	72 g
Dimensions H x W x D	120 mm / 11.5 mm / 76 mm
Note	

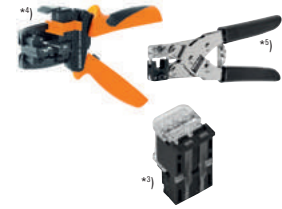
Ordering data

Module variants	
	Analogue output module, 4 channels, 16 Bits, HD-plug
Note	

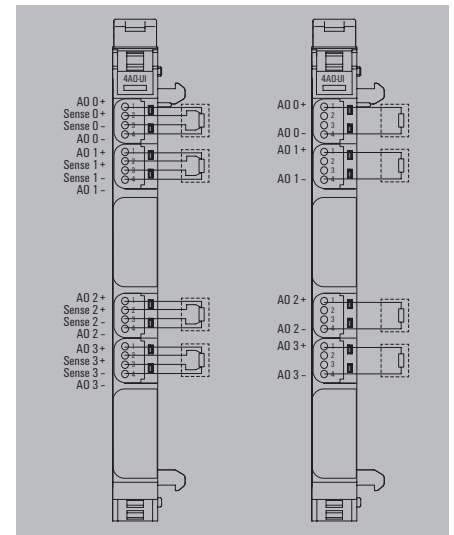
Accessories

	Coding elements
	Termination kit
	Swivel marker
	Module marker for custom printing
	Module marker for neutral
	Thermotransfer version (Material: Polyester)
	Thermotransfer version (material: polyester)
	Paper version for Laserprinter
Connector and tools	
	^{*)} HD plug
	^{*)} Stripping tool
	^{*)} Pressing tool
Replacement parts	
	Electronic module
	Basic module
	Plug-in connector unit
Note	

UR20-4AO-UI-16-HD



Note: Please order connector separately



Product standard	IEC 61131-2
EMC	EN IEC 61000
ATEX	EN 60079
UL	UL 61010-2-201
MSIP	MSIP-REM-WMG-1510690000
CCC	available
EAC	available
ABS (American Bureau of Shipping)	not available
BSH (Federal Maritime and Hydrographic Agency)	not available
BV (Bureau Veritas)	not available
DNV (Det Norske Veritas)	not available
LR (Lloyd's Register)	not available
RINA (Registro Italiano Navale)	not available
KR (Korean Register)	not available
NK (Nippon Kaiji Kyokai)	not available
PRS (Polish Register of Shipping)	not available
RMRoS (Russian Maritime Register of Shipping)	not available
You can find the latest information online at www.weidmuller.com	

Type	Qty.	Order No.
UR20-4AO-UI-16-HD	1	1510690000

Type	Qty.	Order No.
KOSM BHZ5.00	100	1483050000
UR20-EBK-ACC	5	1346610000
UR20-SM-ACC	20	1339920000
DEK 5/8-11.5 MC SDR	100	1341610000
DEK 5/8-11.5 MC NE WS	500	1341630000
THM UR20 GE	1	1429910000
THM UR20 WS	1	1429420000
ESO UR20 DIN A4 WS	10	1429430000
UR20-PG0.35	8	1469340000
MULTI-STRIPAX 6-16	1	9202210000
PWZ-UR20-HD	1	1525820000

UR20-EM-1510690000-SP	1	1515470000
UR20-BM-SP	5	1350930000
UR20-PK-1510690000-SP	5	1531830000

Note: please order plug (1469340000) separately.

4AO-UI-16-DIAG-HD

- 4 analogue outputs
- Advanced diagnosis functions
- Outputs can be parameterised by channel (voltage, current)
- 16-bit resolution
- 2- and 4-wire connection
- Accuracy typ. 0.05 % FSR
- Replacement values can be set per channel
- Non reactive

Technical data

System data	
Interface	u-remote system bus
Transmission speed of system bus, max.	48 Mbit
Galvanic isolation	500 V DC between the current paths
Supply	
Voltage supply	24 V DC +20 %/-15 %, via the system bus
Current consumption I _{in} (power segment of the field bus coupler), typ.	8 mA
Current consumption from I _{OUT} (the respective power segment)	85 mA
Analogue outputs	
Number of analogue outputs	4
Output variable	Voltage (0...5 V, 0...10 V, 1...5 V, 2...10 V, ±10 V, ±5 V), Current (0...20 mA or 4...20 mA)
Response time	1 ms / 4 channels
Resolution	16 Bit
Accuracy	±0,1 % FSR max., 0,05 % FSR typ.
Load impedance voltage	> 1 kΩ (at >50 °C ambient temperature, max. total sensor current = 25 mA)
Load impedance current	< 600 Ω
Actuator connection	2-wire (current and voltage), 3- and 4-wire (voltage), 2-wire (automatic detection)
Temperature coefficient	20 ppm voltage / 31 ppm current measurement / °K
Max. error between T min. and T max.	220 ppm FSR
Monotonicity	Yes
Cross-talk between the channels	0.001 % FSR
Repeat accuracy	< 1 mV eff.
Module diagnosis	Yes
Individual channel diagnosis	Yes
Substitute values	Yes
General data	
Weight	74 g
Dimensions H x W x D	120 mm / 11.5 mm / 76 mm
Note	

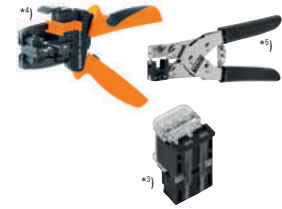
Ordering data

Module variants	
Analogue output module, 4 channels, diagnosis functions, HD-plug	
Note	

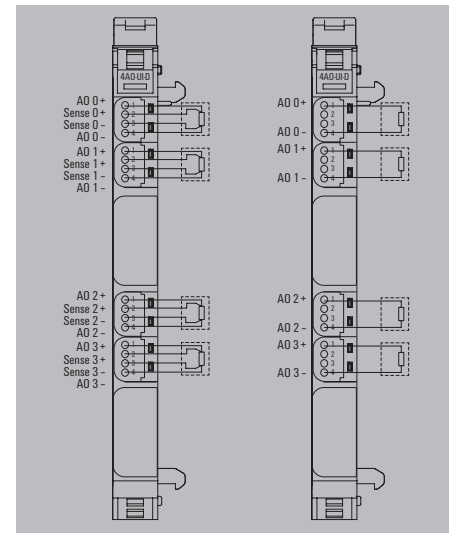
Accessories

Coding elements	KOSM BHZ5.00	100	1483050000	
Termination kit	UR20-EBK-ACC	5	1346610000	
Swivel marker	UR20-SM-ACC	20	1339920000	
Module marker for custom printing	DEK 5/8-11.5 MC SDR	100	1341610000	
Module marker for neutral	DEK 5/8-11.5 MC NE WS	500	1341630000	
Thermotransfer version (Material: Polyester)	THM UR20 GE	1	1429910000	
Thermotransfer version (material: polyester)	THM UR20 WS	1	1429420000	
Paper version for Laserprinter	ESO UR20 DIN A4 WS	10	1429430000	
Connector and tools				
	^{*)} HD plug	UR20-PG0.35	8	1469340000
	^{*)} Stripping tool	MULTI-STRIPAX 6-16	1	9202210000
	^{*)} Pressing tool	PWZ-UR20-HD	1	1525820000
Replacement parts				
	Electronic module	UR20-EM-1506930000-SP	1	1515480000
	Basic module	UR20-BM-SP	5	1350930000
	Plug-in connector unit	UR20-PK-1506930000-SP	5	1531810000
Note				
Note: please order plug (1469340000) separately.				

UR20-4AO-UI-16-DIAG-HD



Note: Please order connector separately



Product standard	IEC 61131-2
EMC	EN IEC 61000
ATEX	EN 60079
UL	UL 61010-2-201
MSIP	MSIP-REM-WMG-1506930000
CCC	available
EAC	available
ABS (American Bureau of Shipping)	not available
BSH (Federal Maritime and Hydrographic Agency)	not available
BV (Bureau Veritas)	not available
DNV (Det Norske Veritas)	not available
LR (Lloyd's Register)	not available
RINA (Registro Italiano Navale)	not available
KR (Korean Register)	not available
NK (Nippon Kaiji Kyokai)	not available
PRS (Polish Register of Shipping)	not available
RMRoS (Russian Maritime Register of Shipping)	not available
You can find the latest information online at www.weidmuller.com	

Digital counter and communication modules

100/ 500 kHz; 32-Bit Counter data width, Single channel diagnosis

In automated systems, it is impossible to imagine industry without the collection of incremental- and absolute encoder values. Developed specifically for these applications Weidmüller now offers several counter modules that can take values with an input frequency of up to 500 kHz. By the synchronous-serial Interface module (SSI) high-precision positioning can be realized with absolute encoders. For the frequency measurement up to 100 kHz a module with pulse input is available, the UR20-1CNT-500 module has an input that can detect frequencies up to 500 kHz. The UR20-2CNT-100 module has two independent counter inputs and is supplemented by the module UR20-1CNT-100-1DO with only one counter, but additional options. A Latch-, Gate- and Reset input allows external control of the counter. In addition, a digital output can trigger an immediate event, when there are compared values set.

The modules UR20-1COM-232-485-422 and UR20-1COM-232-485-422-V2 with Modbus RTU Master functionality offer expanded communication possibilities, devices with RS232, RS485 or RS422 interface can be operated efficiently on u-remote. A solution for the connection from the cabinet to the field represents the module UR20-1COM-SAI-PRO. At this gateway up to 15 decentralized IP67 SAI-PRO sub-bus modules can be integrated per u-remote module.

The module electronics supply the connected sensors from the input current path (U_{IN}).

Digital counter modules

UR20-1CNT-100-1DO



UR20-2CNT-100



UR20-1CNT-500



UR20-2FCNT-100



Communication modules

UR20-1SSI



UR20-1COM-232-485-422



UR20-1COM-232-485-422-V2



UR20-1COM-SAI-PRO



UR20-4COM-IO-LINK



UR20-4COM-IO-LINK-V2



1CNT-100-1D0

- Removable terminals Latch-, Gate- and Reset input
- Counter data width 32-Bit
- Maximum input frequency 100 kHz
- Operation mode impulse, direction, 1-, 2- or 4-times
- Sensor feed
- Input filter adjustable up to 1 ms
- One digital output

Technical data

System data	
Interface	u-remote system bus
Transmission speed of system bus, max.	48 Mbit
Galvanic isolation	500 V DC between the current paths
Supply	
Voltage supply	24 V DC +20 %/-15 %, via the system bus
Current consumption I_m (power segment of the field bus coupler), typ.	8 mA
Current consumption I_m (the respective power segment)	35 mA (plus output current)
Digital inputs	
Number	1
Input type	for Type 1 and Type 3 sensors as per IEC 61131-2
Input filter	configurable
Input voltage, low	< 5 V
Input voltage, high	> 11 V
Sensor supply	Yes
Sensor connection	2-wire, 3-wire
Reverse polarity protection	Yes
Module diagnosis	Yes
Individual channel diagnosis	Yes
Max. input current per channel	3.5
Counter width	32
Max. input frequency	100 kHz
Latch, gate, reset input	Yes
Mode of operation	Pulse, Direction, 1-, 2-, 4-times
General data	
Weight	85 g
Dimensions H x W x D	120 mm / 11.5 mm / 76 mm
Note	

Ordering data

Module variants	
Digital counter module, 1 channel, 100 kHz	
Note	

Accessories

Coding elements	
Termination kit	
Swivel marker	
Connection marker for pusher custom printing	
Connection marker for pusher neutral	
Module marker for custom printing	
Module marker for neutral	
Thermotransfer version (Material: Polyester)	
Thermotransfer version (material: polyester)	
Paper version for Laserprinter	
Replacement parts	
Electronic module	
Basic module	
Plug-in connector unit	
Note	

UR20-1CNT-100-1D0

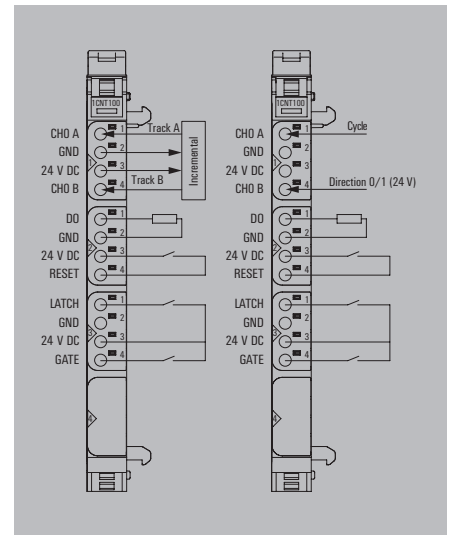


u-remote system bus	
48 Mbit	
500 V DC between the current paths	
24 V DC +20 %/-15 %, via the system bus	
8 mA	
35 mA (plus output current)	
1	
for Type 1 and Type 3 sensors as per IEC 61131-2	
configurable	
< 5 V	
> 11 V	
Yes	
2-wire, 3-wire	
Yes	
Yes	
Yes	
Yes	
3.5	
32	
100 kHz	
Yes	
Pulse, Direction, 1-, 2-, 4-times	
85 g	
120 mm / 11.5 mm / 76 mm	

Type	Qty.	Order No.
UR20-1CNT-100-1D0	1	1315570000

Type	Qty.	Order No.
KOSM BHZ5.00	100	1483050000
UR20-EBK-ACC	5	1346610000
UR20-SM-ACC	20	1339920000
PM 2.7/2.6 MC SDR	192	1323700000
PM 2.7/2.6 MC NE WS	960	1323710000
DEK 5/8-11.5 MC SDR	100	1341610000
DEK 5/8-11.5 MC NE WS	500	1341630000
THM UR20 GE	1	1429910000
THM UR20 WS	1	1429420000
ESO UR20 DIN A4 WS	10	1429430000
UR20-EM-1315570000-SP	1	1347140000
UR20-BM-SP	5	1350930000
UR20-PK-1315570000-SP	5	1346520000

1 roll = 1000 label = 1 Qty.
1 sheet = 60 label = 1 Qty.



Product standard	IEC 61131-2
EMC	EN IEC 61000
ATEX	EN 60079
UL	UL 61010-2-201
MSIP	MSIP-REM-WMG-1315570000
CCC	available
EAC	available
ABS (American Bureau of Shipping)	available
BSH (Federal Maritime and Hydrographic Agency)	available
BV (Bureau Veritas)	available
DNV (Det Norske Veritas)	available
LR (Lloyd's Register)	available
RINA (Registro Italiano Navale)	available
KR (Korean Register)	available
NK (Nippon Kaiji Kyokai)	available
PRS (Polish Register of Shipping)	available
RMRoS (Russian Maritime Register of Shipping)	available

You can find the latest information online at www.weidmuller.com

Digital counter and communication modules

2CNT-100

- Counter data width 32-Bit
- Maximum input frequency 100 kHz
- Operation mode impulse, direction, 1-, 2- or 4-times
- Sensor feed
- Input filter adjustable up to 1 ms

Technical data

System data

Interface
Transmission speed of system bus, max.
Galvanic isolation

Supply

Voltage supply
Current consumption I_{in} (power segment of the field bus coupler), typ.
Current consumption I_{in} (the respective power segment)

Digital inputs

Number
Input type
Input filter
Input voltage, low
Input voltage, high
Sensor supply
Sensor connection
Reverse polarity protection
Module diagnosis
Individual channel diagnosis
Max. input current per channel
Counter width
Max. input frequency
Mode of operation

General data

Weight
Dimensions H x W x D

Note

Ordering data

Module variants

Digital counter module, 2 channel, 100 kHz

Note

Accessories

Coding elements
Termination kit
Swivel marker
Connection marker for pusher custom printing
Connection marker for pusher neutral
Module marker for custom printing
Module marker for neutral
Thermotransfer version (Material: Polyester)
Thermotransfer version (material: polyester)
Paper version for Laserprinter

Replacement parts

Electronic module
Basic module
Plug-in connector unit

Note

UR20-2CNT-100



u-remote system bus
48 Mbit
500 V DC between the current paths

24 V DC +20 %/-15 %, via the system bus
8 mA
35 mA (plus output current)

2
for Type 1 and Type 3 sensors as per IEC 61131-2
configurable
< 5 V
> 11 V
Yes
2-wire, 3-wire
Yes
Yes
Yes
3.5
32
100 kHz
Pulse, Direction, 1-, 2-, 4-times

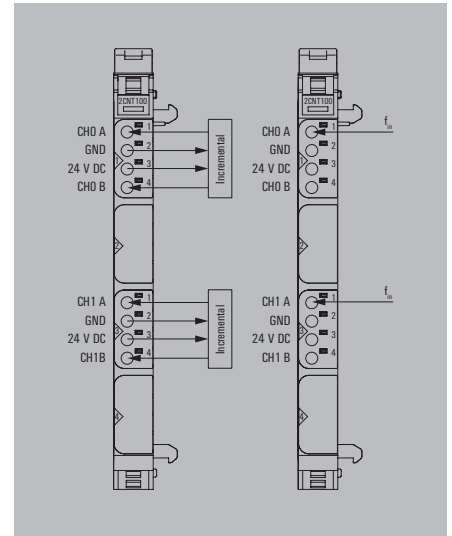
85 g
120 mm / 11.5 mm / 76 mm

Type	Qty.	Order No.
UR20-2CNT-100	1	1315590000

Type	Qty.	Order No.
KOSM BHZ5.00	100	1483050000
UR20-EBK-ACC	5	1346610000
UR20-SM-ACC	20	1339920000
PM 2.7/2.6 MC SDR	192	1323700000
PM 2.7/2.6 MC NE WS	960	1323710000
DEK 5/8-11.5 MC SDR	100	1341610000
DEK 5/8-11.5 MC NE WS	500	1341630000
THM UR20 GE	1	1429910000
THM UR20 WS	1	1429420000
ESD UR20 DIN A4 WS	10	1429430000

UR20-EM-1315590000-SP	1	1347150000
UR20-BM-SP	5	1350930000
UR20-PK-1315590000-SP	5	1346540000

1 roll = 1000 label = 1 Qty.
1 sheet = 60 label = 1 Qty.



Product standard	IEC 61131-2
EMC	EN IEC 61000
ATEX	EN 60079
UL	UL 61010-2-201
MSIP	MSIP-REM-WMG-1315590000
CCC	available
EAC	available
ABS (American Bureau of Shipping)	available
BSH (Federal Maritime and Hydrographic Agency)	available
BV (Bureau Veritas)	available
DNV (Det Norske Veritas)	available
LR (Lloyd's Register)	available
RINA (Registro Italiano Navale)	available
KR (Korean Register)	available
NK (Nippon Kaiji Kyokai)	available
PRS (Polish Register of Shipping)	available
RMRoS (Russian Maritime Register of Shipping)	available

You can find the latest information online at www.weidmuller.com

1CNT-500

- Counter data width 32-Bit
- Maximum input frequency 500 kHz
- Operation mode impulse, direction, 1-, 2- or 4-times
- Sensor feed
- Input filter adjustable up to 1 ms
- One digital output

Technical data

System data	
Interface	u-remote system bus
Transmission speed of system bus, max.	48 Mbit
Galvanic isolation	500 V DC between the current paths
Supply	
Voltage supply	24 V DC +20 %/-15 %, via the system bus
Current consumption I _m (power segment of the field bus coupler), typ.	8 mA
Current consumption I _m (the respective power segment)	< 20 mA
Digital inputs	
Number	1
Input filter	configurable
Sensor supply	Yes
Short-circuit-proof	Yes
Module diagnosis	Yes
Individual channel diagnosis	No
Counter width	32 Bit
Max. input frequency	500 kHz
Mode of operation	Pulse, Direction, 1-, 2-, 4-times
General data	
Weight	87.6 g
Dimensions H x W x D	120 mm / 11.5 mm / 76 mm
Note	

Ordering data

Module variants	
	Digital counter module, 1 channel, 500 kHz
Note	

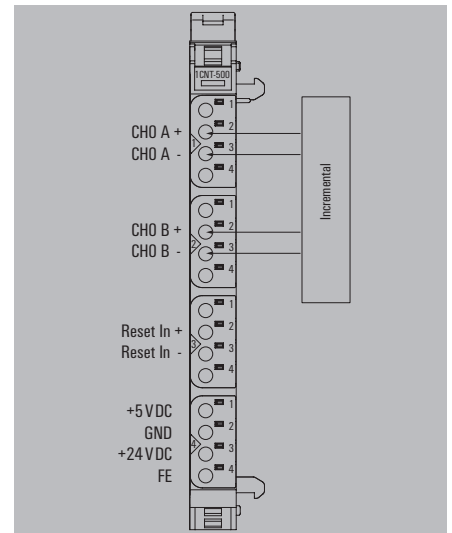
Accessories

	Coding elements
	Termination kit
	Swivel marker
Connection marker for pusher custom printing	
Connection marker for pusher neutral	
Module marker for custom printing	
Module marker for neutral	
Thermotransfer version (Material: Polyester)	
Thermotransfer version (material: polyester)	
Paper version for Laserprinter	
Replacement parts	
	Electronic module
	Basic module
	Plug-in connector unit
Note	

UR20-1CNT-500



Type		
UR20-1CNT-500	Qty. 1	Order No. 1315580000
Type		
KOSM BHZ5.00	Qty. 100	Order No. 1483050000
UR20-EBK-ACC	Qty. 5	Order No. 1346610000
UR20-SM-ACC	Qty. 20	Order No. 1339920000
PM 2.7/2.6 MC SDR	Qty. 192	Order No. 1323700000
PM 2.7/2.6 MC NE WS	Qty. 960	Order No. 1323710000
DEK 5/8-11.5 MC SDR	Qty. 100	Order No. 1341610000
DEK 5/8-11.5 MC NE WS	Qty. 500	Order No. 1341630000
THM UR20 GE	Qty. 1	Order No. 1429910000
THM UR20 WS	Qty. 1	Order No. 1429420000
ESO UR20 DIN A4 WS	Qty. 10	Order No. 1429430000
Type		
UR20-EM-1315580000-SP	Qty. 1	Order No. 1347170000
UR20-BM-SP	Qty. 5	Order No. 1350930000
UR20-PK-1315580000-SP	Qty. 5	Order No. 1346530000
1 roll = 1000 label = 1 Qty. 1 sheet = 60 label = 1 Qty.		



Product standard		
Product standard	IEC 61131-2	
EMC	EN IEC 61000	
ATEX	EN 60079	
UL	UL 61010-2-201	
MSIP	MSIP-REM-WMG-1315580000	
CCC	available	
EAC	available	
ABS (American Bureau of Shipping)	available	available
BSH (Federal Maritime and Hydrographic Agency)	available	
BV (Bureau Veritas)	available	
DNV (Det Norske Veritas)	available	
LR (Lloyd's Register)	available	
RINA (Registro Italiano Navale)	available	
KR (Korean Register)	available	
NK (Nippon Kaiji Kyokai)	available	
PRS (Polish Register of Shipping)	available	
RMRoS (Russian Maritime Register of Shipping)	available	
You can find the latest information online at www.weidmuller.com		

Digital counter and communication modules

2FCNT-100

- Counter data width 32-Bit
- Maximum input frequency 100 kHz
- Operation mode impulse
- Sensor feed
- Input filter adjustable up to 1 ms

UR20-2FCNT-100



Technical data

System data

Interface
Transmission speed of system bus, max.
Galvanic isolation

Supply

Voltage supply
Current consumption I_m (power segment of the field bus coupler), typ.
Current consumption I_m (the respective power segment)

Digital inputs

Number
Input filter
Input voltage, low
Input voltage, high
Sensor supply
Sensor connection
Reverse polarity protection
Module diagnosis
Individual channel diagnosis
Max. input current per channel
Counter width
Max. input frequency
Mode of operation

General data

Weight
Dimensions H x W x D

Note

u-remote system bus
48 Mbit
500 V DC between the current paths

24 V DC +20 %/-15 %, via the system bus
8 mA
35 mA (plus output current)

2
configurable
< 5 V
> 11 V
Yes
2-wire, 3-wire
Yes
Yes
No
3.5 mA
32 Bit
100 kHz
Pulse

65 g
120 mm / 11.5 mm / 76 mm

Ordering data

Module variants

Digital frequency counter module, 2 channel, 100 kHz

Note

Type	Qty.	Order No.
UR20-2FCNT-100	1	1508080000

Accessories

Coding elements
Termination kit
Swivel marker
Connection marker for pusher custom printing
Connection marker for pusher neutral
Module marker for custom printing
Module marker for neutral
Thermotransfer version (Material: Polyester)
Thermotransfer version (material: polyester)
Paper version for Laserprinter

Type	Qty.	Order No.
KOSM BHZ5.00	100	1483050000
UR20-EBK-ACC	5	1346610000
UR20-SM-ACC	20	1339920000
PM 2.7/2.6 MC SDR	192	1323700000
PM 2.7/2.6 MC NE WS	960	1323710000
DEK 5/8-11.5 MC SDR	100	1341610000
DEK 5/8-11.5 MC NE WS	500	1341630000
THM UR20 GE	1	1429910000
THM UR20 WS	1	1429420000
ESO UR20 DIN A4 WS	10	1429430000

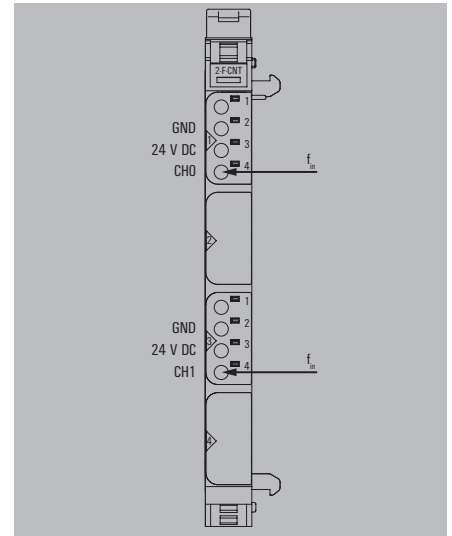
Replacement parts

Electronic module
Basic module
Plug-in connector unit

UR20-EM-1508080000-SP	1	1515440000
UR20-BM-SP	5	1350930000
UR20-PK-1508080000-SP	5	1518840000

Note

1 roll = 1000 label = 1 Qty.
1 sheet = 60 label = 1 Qty.



Product standard	IEC 61131-2
EMC	EN IEC 61000
ATEX	EN 60079
UL	UL 61010-2-201
MSIP	MSIP-REM-WMG-1508080000
CCC	available
EAC	available
ABS (American Bureau of Shipping)	available
BSH (Federal Maritime and Hydrographic Agency)	available
BV (Bureau Veritas)	available
DNV (Det Norske Veritas)	available
LR (Lloyd's Register)	available
RINA (Registro Italiano Navale)	available
KR (Korean Register)	available
NK (Nippon Kaiji Kyokai)	available
PRS (Polish Register of Shipping)	available
RMRoS (Russian Maritime Register of Shipping)	available

You can find the latest information online at www.weidmuller.com

1SSI

- Parameterised transfer rate
- Listening- or Master-Mode
- Data width 8 ... 32 bits
- Adjustable delay time

UR20-1SSI



Technical data

System data	
Interface	u-remote system bus
Transmission speed of system bus, max.	48 Mbit
Galvanic isolation	500 V DC between the current paths
Supply	
Voltage supply	24 V DC +20 %/-15 %, via the system bus
Current consumption I _{in} (power segment of the field bus coupler), typ.	8 mA
Current consumption from I _{OUT} (the respective power segment)	25 mA + sensor feed
Serial inputs	
Number of serial interfaces	1
Data format	Binary, Gray-Code
SSI mode	Listening, Master
Sensor supply	Yes
Reverse polarity protection	Yes
Module diagnosis of serial interfaces available	Yes
Individual channel diagnosis of serial interfaces available	No
Cable length	max. 320 m at 125 kHz
General data	
Weight	87 g
Dimensions H x W x D	120 mm / 11.5 mm / 76 mm
Note	

System data		
Interface	u-remote system bus	
Transmission speed of system bus, max.	48 Mbit	
Galvanic isolation	500 V DC between the current paths	
Supply		
Voltage supply	24 V DC +20 %/-15 %, via the system bus	
Current consumption I _{in} (power segment of the field bus coupler), typ.	8 mA	
Current consumption from I _{OUT} (the respective power segment)	25 mA + sensor feed	
Serial inputs		
Number of serial interfaces	1	
Data format	Binary, Gray-Code	
SSI mode	Listening, Master	
Sensor supply	Yes	
Reverse polarity protection	Yes	
Module diagnosis of serial interfaces available	Yes	
Individual channel diagnosis of serial interfaces available	No	
Cable length	max. 320 m at 125 kHz	
General data		
Weight	87 g	
Dimensions H x W x D	120 mm / 11.5 mm / 76 mm	
Note		

Ordering data

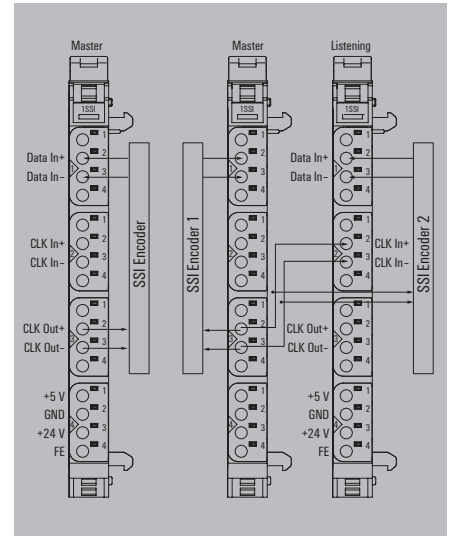
Module variants	
	SSI Module 1 channel, 8 - 32 Bit
Note	

Type	Qty.	Order No.
UR20-1SSI	1	1508090000

Accessories

	Coding elements
	Termination kit
	Swivel marker
	Connection marker for pusher custom printing
	Connection marker for pusher neutral
	Module marker for custom printing
	Module marker for neutral
	Thermotransfer version (Material: Polyester)
	Thermotransfer version (material: polyester)
	Paper version for Laserprinter
Replacement parts	
	Electronic module
	Basic module
	Plug-in connector unit
Note	

Type	Qty.	Order No.
KOSM BHZ5.00	100	1483050000
UR20-EBK-ACC	5	1346610000
UR20-SM-ACC	20	1339920000
PM 2.7/2.6 MC SDR	192	1323700000
PM 2.7/2.6 MC NE WS	960	1323710000
DEK 5/8-11.5 MC SDR	100	1341610000
DEK 5/8-11.5 MC NE WS	500	1341630000
THM UR20 GE	1	1429910000
THM UR20 WS	1	1429420000
ESD UR20 DIN A4 WS	10	1429430000
Replacement parts		
UR20-EM-1508090000-SP	1	1515490000
UR20-BM-SP	5	1350930000
UR20-PK-1508090000-SP	5	1559870000
Note		
1 roll = 1000 label = 1 Qty.		
1 sheet = 60 label = 1 Qty.		



Product standard	IEC 61131-2
EMC	EN IEC 61000
ATEX	EN 60079
UL	UL 61010-2-201
MSIP	MSIP-REM-WMG-1508090000
CCC	available
EAC	available
ABS (American Bureau of Shipping)	available
BSH (Federal Maritime and Hydrographic Agency)	available
BV (Bureau Veritas)	available
DNV (Det Norske Veritas)	available
LR (Lloyd's Register)	available
RINA (Registro Italiano Navale)	available
KR (Korean Register)	available
NK (Nippon Kaiji Kyokai)	available
PRS (Polish Register of Shipping)	available
RMRoS (Russian Maritime Register of Shipping)	available
You can find the latest information online at www.weidmuller.com	

Digital counter and communication modules

1COM-232-485-422

- Interface for RS232, RS485 and RS422 peripherals
- Adjustable transfer rate
- Galvanic isolation of the signals in the module
- Separate power supply for external peripheral to the module

UR20-1COM-232-485-422



Technical data

System data	
Interface	u-remote system bus
Transmission speed of system bus, max.	48 Mbit
Galvanic isolation	500 V DC between the current paths
Supply	
Voltage supply	24 V DC +20 % / -15 %, via the system bus
Current consumption I _m (power segment of the field bus coupler), typ.	8 mA
Current consumption I _m (the respective power segment)	16 mA + load
RS interface	
Number of RS interfaces	1
Connection type of RS interfaces	RS232, RS422, RS485
Transmission rate of RS interfaces, min./max.	300...115200 Bit/s
Voltage supply	24 V DC +20 % / -15 %, via the system bus
Output current, supply voltage	max. 500 mA
Standards RS232	DIN 66020, DIN 66259, EIA-RS 232C, CCITT V.24/V.28
Standards RS485/422	DIN 66259 Part 1 und 3, EIA-RS 422/485, CCITT V.11
Short-circuit-proof of RS interfaces	Yes
Module diagnosis of RS interfaces available	Yes
Individual channel diagnosis of RS interfaces available	Yes
General data	
Weight	87.03 g
Dimensions H x W x D	120 mm / 11.5 mm / 76 mm
Note	

u-remote system bus		
Interface	u-remote system bus	
Transmission speed of system bus, max.	48 Mbit	
Galvanic isolation	500 V DC between the current paths	
Supply		
Voltage supply	24 V DC +20 % / -15 %, via the system bus	
Current consumption I _m (power segment of the field bus coupler), typ.	8 mA	
Current consumption I _m (the respective power segment)	16 mA + load	
RS interface		
Number of RS interfaces	1	
Connection type of RS interfaces	RS232, RS422, RS485	
Transmission rate of RS interfaces, min./max.	300...115200 Bit/s	
Voltage supply	24 V DC +20 % / -15 %, via the system bus	
Output current, supply voltage	max. 500 mA	
Standards RS232	DIN 66020, DIN 66259, EIA-RS 232C, CCITT V.24/V.28	
Standards RS485/422	DIN 66259 Part 1 und 3, EIA-RS 422/485, CCITT V.11	
Short-circuit-proof of RS interfaces	Yes	
Module diagnosis of RS interfaces available	Yes	
Individual channel diagnosis of RS interfaces available	Yes	
General data		
Weight	87.03 g	
Dimensions H x W x D	120 mm / 11.5 mm / 76 mm	
Note		

Ordering data

Module variants	
RS232/RS485/RS422 communication module	
Note	

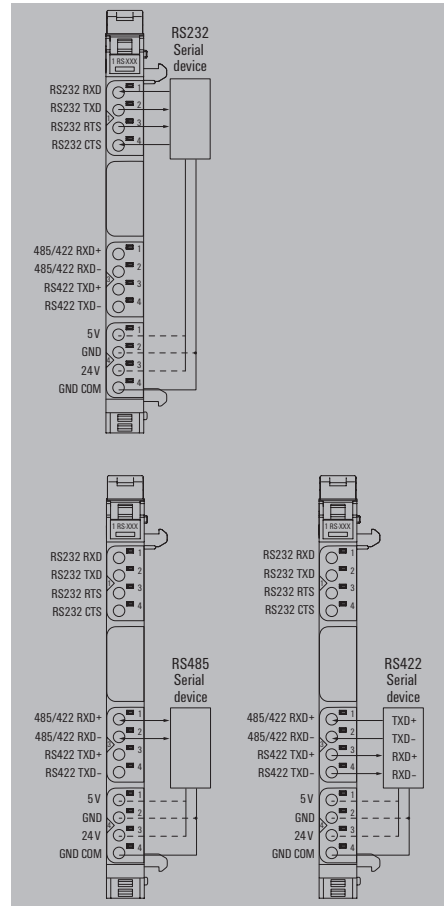
Type	Qty.	Order No.
UR20-1COM-232-485-422	1	1315750000

Accessories

Coding elements	KOSM BHZ5.00	100	1483050000
Termination kit	UR20-EBK-ACC	5	1346610000
Swivel marker	UR20-SM-ACC	20	1339920000
Connection marker for pusher custom printing	PM 2.7/2.6 MC SDR	192	1323700000
Connection marker for pusher neutral	PM 2.7/2.6 MC NE WS	960	1323710000
Module marker for custom printing	DEK 5/8-11.5 MC SDR	100	1341610000
Module marker for neutral	DEK 5/8-11.5 MC NE WS	500	1341630000
Thermotransfer version (Material: Polyester)	THM UR20 GE	1	1429910000
Thermotransfer version (material: polyester)	THM UR20 WS	1	1429420000
Paper version for Laserprinter	ESO UR20 DIN A4 WS	10	1429430000

Replacement parts			
Electronic module	UR20-EM-1315750000-SP	1	1347350000
Basic module	UR20-BM-SP	5	1350930000
Plug-in connector unit	UR20-PK-1315750000-SP	5	2425150000

Note			
-------------	--	--	--



Product standard	IEC 61131-2
EMC	EN IEC 61000
ATEX	EN 60079
UL	UL 61010-2-201
MSIP	MSIP-REM-WMG-1315750000
CCC	available
EAC	available
ABS (American Bureau of Shipping)	available
BSH (Federal Maritime and Hydrographic Agency)	available
BV (Bureau Veritas)	available
DNV (Det Norske Veritas)	available
LR (Lloyd's Register)	available
RINA (Registro Italiano Navale)	available
KR (Korean Register)	available
NK (Nippon Kaiji Kyokai)	available
PRS (Polish Register of Shipping)	available
RMRS (Russian Maritime Register of Shipping)	available

You can find the latest information online at www.weidmueller.com

1COM-232-485-422-V2

- Interface for RS232, RS485 and RS422 peripherals
- Adjustable transfer rate
- Galvanic isolation of the signals in the module
- Separate power supply for external peripheral to the module
- Modbus RTU Master
- DMX512

UR20-1COM-232-485-422-V2



Technical data

System data	
Interface	u-remote system bus
Transmission speed of system bus, max.	48 Mbit
Galvanic isolation	500 V DC between the current paths
Supply	
Voltage supply	24 V DC +20 %/ -15 %, via the system bus
Current consumption I _m (power segment of the field bus coupler), typ.	8 mA
Current consumption I _m (the respective power segment)	16 mA + load
RS interface	
Number of RS interfaces	1
Connection type of RS interfaces	RS232, RS422, RS485
Transmission rate of RS interfaces, min./max.	300...230400 Bit/s
Voltage supply	24 V DC +20 %/ -15 %, via the system bus
Output current, supply voltage	max. 400 mA
Standards RS232	DIN 66020, DIN 66259, EIA-RS 232C, CCITT V.24/V.28
Standards RS485/422	DIN 66259 Part 1 und 3, EIA-RS 422/485, CCITT V.11
Short-circuit-proof of RS interfaces	Yes
Module diagnosis of RS interfaces available	Yes
Individual channel diagnosis of RS interfaces available	Yes
General data	
Weight	89 g
Dimensions H x W x D	120 mm / 11.5 mm / 76 mm
Note	

Type	Qty.	Order No.
UR20-1COM-232-485-422-V2	1	2826800000

Ordering data

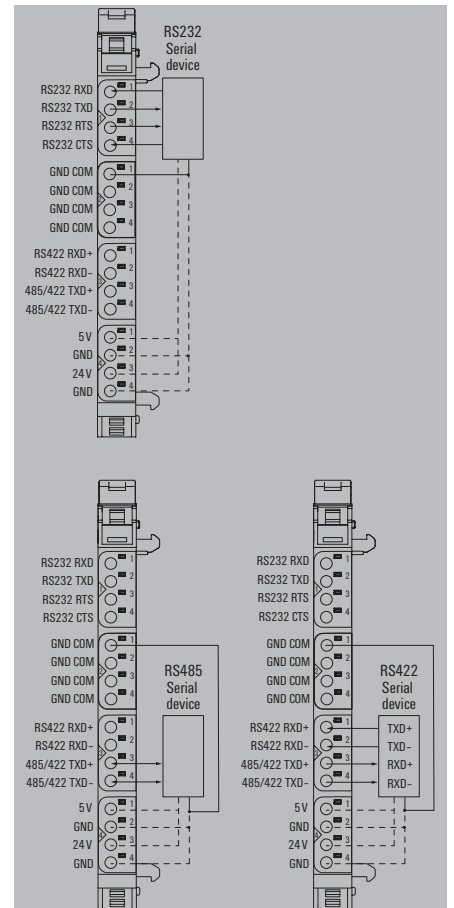
Module variants	
	RS232/RS485/RS422 communication module
Note	

Accessories

	Coding elements	KOSM BHZ5.00	100	1483050000
	Termination kit	UR20-EBK-ACC	5	1346610000
	Swivel marker	UR20-SM-ACC	20	1339920000
	Connection marker for pusher custom printing	PM 2.7/2.6 MC SDR	192	1323700000
	Connection marker for pusher neutral	PM 2.7/2.6 MC NE WS	960	1323710000
	Module marker for custom printing	DEK 5/8-11.5 MC SDR	100	1341610000
	Module marker for neutral	DEK 5/8-11.5 MC NE WS	500	1341630000
	Thermotransfer version (Material: Polyester)	THM UR20 GE	1	1429910000
	Thermotransfer version (material: polyester)	THM UR20 WS	1	1429420000
	Paper version for Laserprinter	ESO UR20 DIN A4 WS	10	1429430000

Replacement parts				
	Electronic module	UR20-EM-2826800000-SP	1	2826860000
	Basic module	UR20-BM-SP	5	1350930000
	Plug-in connector unit	UR20-PK-2826800000-SP		2826870000

Note	
------	--



Product standard	IEC 61131-2
EMC	EN IEC 61000
ATEX	not available
UL	not available
MSIP	not available
CCC	not available
EAC	not available
ABS (American Bureau of Shipping)	not available
BSH (Federal Maritime and Hydrographic Agency)	not available
BV (Bureau Veritas)	not available
DNV (Det Norske Veritas)	not available
LR (Lloyd's Register)	not available
RINA (Registro Italiano Navale)	not available
KR (Korean Register)	not available
NK (Nippon Kaiji Kyokai)	not available
PRS (Polish Register of Shipping)	not available
RMRS (Russian Maritime Register of Shipping)	not available

You can find the latest information online at www.weidmueller.com

Digital counter and communication modules

1COM-SAI-PRO

- 15 SAI-PRO modules connectable
- Max. 50 m Subbus wire length
- Continuous diagnostics IP20-IP67
- Representation of SAI-PRO modules in web server

UR20-1COM-SAI-PRO



Technical data

System data	
Interface	u-remote system bus
Transmission speed of system bus, max.	48 Mbit
Galvanic isolation	500 V DC between the current paths
Supply	
Voltage supply	24 V DC +20 %/ -15 %, via the system bus
Current consumption I_{in} (power segment of the field bus coupler), typ.	8 mA
Current consumption I_{in} (the respective power segment)	17 mA + SAI supply current
IP67 interface	
Number of data interfaces to IP67 modules	1
Transmission rate of data interfaces to IP67 module configurable	Yes
Transmission rate of data interfaces to IP67 modules	250
Voltage supply	24 V DC +20 %/ -15 %, via the system bus
Output current, supply voltage	2.5 A
Short-circuit-proof of data interfaces to IP67 modules	Yes
Module diagnosis of data interfaces to IP67 modules available	Yes
Individual channel diagnosis of data interfaces to IP67 modules available	Yes
General data	
Weight	80.97 g
Dimensions H x W x D	120 mm / 11.5 mm / 76 mm
Note	

Ordering data

Module variants	
	IP20-IP67 communication module
Note	

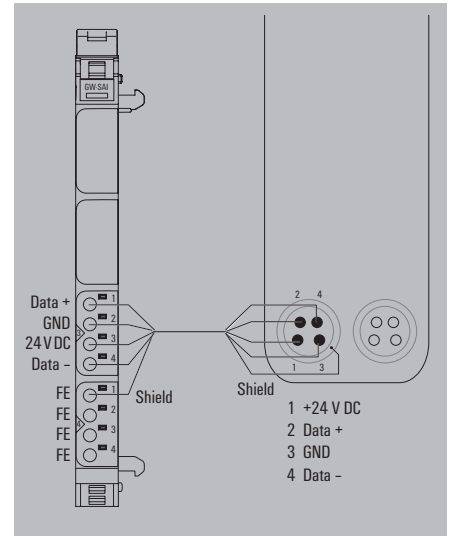
Accessories

	Coding elements
	Termination kit
	Swivel marker
	Connection marker for pusher custom printing
	Connection marker for pusher neutral
	Module marker for custom printing
	Module marker for neutral
	Thermotransfer version (Material: Polyester)
	Thermotransfer version (material: polyester)
	Paper version for Laserprinter
Replacement parts	
	Electronic module
	Basic module
	Plug-in connector unit
Note	

	u-remote system bus
	48 Mbit
	500 V DC between the current paths
Supply	
	24 V DC +20 %/ -15 %, via the system bus
	8 mA
	17 mA + SAI supply current
IP67 interface	
	1
	Yes
	250
	24 V DC +20 %/ -15 %, via the system bus
	2.5 A
	Yes
	Yes
	Yes
General data	
	80.97 g
	120 mm / 11.5 mm / 76 mm
Note	

Type	Qty.	Order No.
UR20-1COM-SAI-PRO	1	2007430000

Type	Qty.	Order No.
KOSM BHZ5.00	100	1483050000
UR20-EBK-ACC	5	1346610000
UR20-SM-ACC	20	1339920000
PM 2.7/2.6 MC SDR	192	1323700000
PM 2.7/2.6 MC NE WS	960	1323710000
DEK 5/8-11.5 MC SDR	100	1341610000
DEK 5/8-11.5 MC NE WS	500	1341630000
THM UR20 GE	1	1429910000
THM UR20 WS	1	1429420000
ESO UR20 DIN A4 WS	10	1429430000
Replacement parts		
UR20-EM-2007430000-SP	1	2425350000
UR20-BM-SP	5	1350930000
UR20-PK-2007430000-SP	5	2425160000
1 roll = 1000 label = 1 Qty. 1 sheet = 60 label = 1 Qty.		



Product standard	IEC 61131-2
EMC	EN IEC 61000
ATEX	EN 60079
UL	UL 61010-2-201
MSIP	MSIP-REM-WMG-2007430000
CCC	available
EAC	available
ABS (American Bureau of Shipping)	not available
BSH (Federal Maritime and Hydrographic Agency)	not available
BV (Bureau Veritas)	not available
DNV (Det Norske Veritas)	not available
LR (Lloyd's Register)	not available
RINA (Registro Italiano Navale)	not available
KR (Korean Register)	not available
NK (Nippon Kaiji Kyokai)	not available
PRS (Polish Register of Shipping)	not available
RMRoS (Russian Maritime Register of Shipping)	not available
You can find the latest information online at www.weidmuller.com	

4COM-IO-LINK

- Connection for 4 IO-Link devices
- IO-Link standard according to IEC 61131-9
- Protocol support IO-Link specification V1.1.2
- Automatic communication via COM 1, COM 2 and COM 3
- Max. 20 m wire length
- Internal data width 4-32 bytes, configurable

UR20-4COM-IO-LINK



Technical data

System data	
Interface	u-remote system bus
Transmission speed of system bus, max.	48
Galvanic isolation	500 V DC between the current paths
Supply	
Voltage supply	24 V DC +20 %/-15 %, via the system bus
Current consumption I _m (power segment of the field bus coupler), typ.	8 mA
Current consumption I _m (the respective power segment)	25 mA + sensor feed
IO-Link interface	
Number	4
Connection type	IO-Link
Output current	0.1 A C/Q (DO MODE), 0.5 A L+
IO link standard	IEC 61131-9
Short-circuit-proof	Yes
Module diagnosis	Yes
Individual channel diagnosis	Yes
Class	A
Digital inputs	
Number	4
Type	Types 1 and 3, EN 61131-2
Input voltage, low	< 5 V
Input voltage, high	> 11 V
General data	
Weight	87.62 g
Dimensions H x W x D	120 / 11.5 / 76 mm
Note	

Type	Qty.	Order No.
UR20-4COM-IO-LINK	1	1315740000

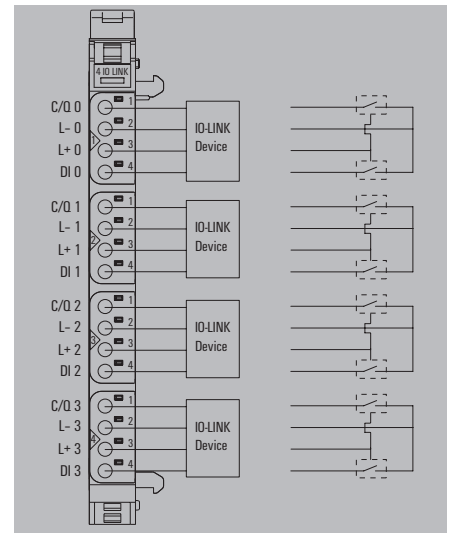
Ordering data

Module variants	
	Digital communication module, 4 channels
Note	

Accessories

	Coding elements
	Termination kit
	Swivel marker
Connection marker for pusher custom printing	
Connection marker for pusher neutral	
Module marker for custom printing	
Module marker for neutral	
Thermotransfer version (Material: Polyester)	
Thermotransfer version (material: polyester)	
Paper version for Laserprinter	
Replacement parts	
	Electronic module
	Basic module
	Plug-in connector unit
Note	

Type	Qty.	Order No.
KOSM BHZ5.00	100	1483050000
UR20-EBK-ACC	5	1346610000
UR20-SM-ACC	20	1339920000
PM 2.7/2.6 MC SDR	192	1323700000
PM 2.7/2.6 MC NE WS	960	1323710000
DEK 5/8-11.5 MC SDR	100	1341610000
DEK 5/8-11.5 MC NE WS	500	1341630000
THM UR20 GE	1	1429910000
THM UR20 WS	1	1429420000
ESO UR20 DIN A4 WS	10	1429430000
UR20-EM-1315740000-SP	1	1347340000
UR20-BM-SP	5	1350930000
UR20-PK-1315740000-SP	5	2508760000
1 roll = 1000 label = 1 Qty. 1 sheet = 60 label = 1 Qty.		



Product standard	IEC 61131-2
EMC	EN IEC 61000
ATEX	EN 60079
UL	UL 61010-2-201
MSIP	MSIP-REM-WMG-1315740000
CCC	available
EAC	available
ABS (American Bureau of Shipping)	not available
BSH (Federal Maritime and Hydrographic Agency)	not available
BV (Bureau Veritas)	not available
DNV (Det Norske Veritas)	not available
LR (Lloyd's Register)	not available
RINA (Registro Italiano Navale)	not available
KR (Korean Register)	not available
NK (Nippon Kaiji Kyokai)	not available
PRS (Polish Register of Shipping)	not available
RMRoS (Russian Maritime Register of Shipping)	not available
You can find the latest information online at www.weidmuller.com	

Safe I/O modules and safe power-feed modules

PROFIsafe/FSoE, PLe, Kat. 4/SIL 3, OSSD-output, wire breakage and short-circuit detection

Safety technology is of central importance in the automation industry and machine construction. When attempting to reduce risks and avoid putting people and the environment in danger, you need solutions which satisfy stringent requirements and statutory specifications.

C

Weidmüller PROFIsafe and Fail-Safe-over-EtherCAT modules (IEC 61784-3 respectively IEC 61784-3-3) are providing variable parameterization possibilities and because of this a very high flexibility and adaptability to your application. Due to the standards a use in existing systems is straightforward. The safe I/O-modules with PROFIsafe or FSoE are available with digital in- and outputs.

The safe power-feed modules of the u-remote system have key features such as emergency stop circuits and wire breakage/ short-circuit detection. They satisfy all SIL 3 requirements according to IEC 62061 and EN ISO 13849-1, Category 4, PL e and support the safe operation of your system.

By safely shutting down the downstream output modules, the safety modules attain maximum safety with optimum control. All input sensors are independently supplied via separate voltage paths and report the current machine status to the control unit. The restart is either performed in manual mode or using the autostart function.

Safe I/O- and safe power-feed modules from Weidmüller also cut maintenance and service times and improve your response times in an emergency – thanks to a concept of maximum transparency, e.g. using OSSD output.

The module electronics supply the connected actuators from the output current path (U_{OUT}).

UR20-4DI-4DO-PN-FSPS-V2



UR20-8DI-PN-FSPS-V2



UR20-4DI-4DO-PN-FSOE-V2



UR20-8DI-PN-FSOE-V2



UR20-PF-0-1DI-SIL



UR20-PF-0-2DI-DELAY-SIL



UR20-PF-0-2DI-SIL



4DI-4DO-PN-FSOE-V2

- FailSafe over EtherCAT
- 4 digital inputs, two of them are parametrisable P- or N-switching
- 4 digital outputs, two of them are parametrisable P- or N-switching
- Constant current with thermal switch-off

UR20-4DI-4DO-PN-FSOE-V2



Technical data

System data	
Interface	u-remote system bus
Transmission speed of system bus, max.	48 Mbit
Galvanic isolation	500 V DC between the current paths
Supply	
Voltage supply	24 V DC +20 %/-15 %, via the system bus
Current consumption I _{in} (power segment of the field bus coupler), typ.	8 mA
Current consumption from I _{out} (the respective power segment)	30 mA
Safety related data	
Achievable safety level, inputs / outputs	SIL 3 (IEC 61508), SILCL 3 (IEC 62061), Ple, category 4 (DIN EN ISO 13849-1) / architecture 1oo2 (2 channels)
Level of diagnostic coverage DC _{AVE} (IEC 62061)	Input: 0.921, output: 0.969
Level of diagnostic coverage (DIN EN ISO 13849)	Input, single-channel wiring: 90%; dual-channel wiring: 99%
PFH (probability of failure per hour in 1/h), inputs	Single-channel circuit 1oo1: 10-8, Dual-channel circuit 1oo2: 2,17*10 ⁻¹⁰
Proportion of safety-related outages (SFF)	98 %
HFT (hardware fault tolerance), inputs	Single-channel circuit 1oo1: 0
HFT (hardware fault tolerance), outputs	1
Inputs	
Number	4
Input filter	configurable
Input voltage, low / high	< 5 V / > 11 V
Reverse polarity protection	Yes
Outputs	
Number	4
Output current per channel, max. / Output current per module, max.	0.5 A / 2 A
Actuator connection	2-wire
Short-circuit-proof	Yes
Response time of the protective circuit (current limiting)	< 100µs
General data	
Weight	90.2 g
Dimensions H x W x D	120 mm / 11.5 mm / 76 mm
Note	

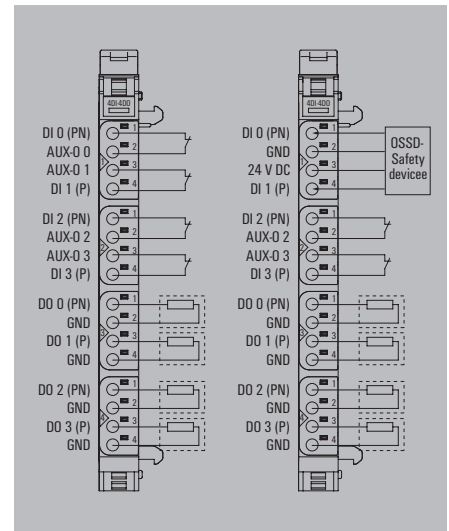
Ordering data

Module variants	
	Safety module FSOE, 4 digital inputs/outputs
Note	

Accessories

	Coding elements
	Termination kit
	Swivel marker
Connection marker for pusher custom printing	
Connection marker for pusher neutral	
Module marker for custom printing	
Module marker for neutral	
Thermotransfer version (Material: Polyester)	
Thermotransfer version (material: polyester)	
Paper version for Laserprinter	
Replacement parts	
	Electronic module
	Basic module
	Plug-in connector unit
Note	

Type	Qty.	Order No.
UR20-4DI-4DO-PN-FSOE-V2	1	2464580000
For this and additional technical data, please refer to the manual available at www.weidmuller.de .		
Type	Qty.	Order No.
KOSM BHZ5.00	100	1483050000
UR20-EBK-ACC	5	1346610000
UR20-SM-ACC	20	1339920000
PM 2.7/2.6 MC SDR	192	1323700000
PM 2.7/2.6 MC NE WS	960	1323710000
DEK 5/8-11.5 MC SDR	100	1341610000
DEK 5/8-11.5 MC NE WS	500	1341630000
THM UR20 GE	1	1429910000
THM UR20 WS	1	1429420000
ESO UR20 DIN A4 WS	10	1429430000
UR20-EM-2464580000-SP	1	2466020000
UR20-BM-SP	5	1350930000
UR20-PK-2464580000-SP	5	2465990000
1 roll = 1000 label = 1 Qty. 1 sheet = 60 label = 1 Qty.		



Product standard	IEC 61131-2
EMC	EN IEC 61000
ATEX	EN 60079
UL	UL 61010-2-201
MSIP	not available
CCC	available
EAC	available
ABS (American Bureau of Shipping)	not available
BSH (Federal Maritime and Hydrographic Agency)	not available
BV (Bureau Veritas)	available
DNV (Det Norske Veritas)	not available
LR (Lloyd's Register)	not available
RINA (Registro Italiano Navale)	not available
KR (Korean Register)	not available
NK (Nippon Kaiji Kyokai)	not available
PRS (Polish Register of Shipping)	not available
RMRoS (Russian Maritime Register of Shipping)	not available
You can find the latest information online at www.weidmuller.com	

Safe I/O modules and safe power-feed modules

8DI-PN-FSOE-V2

- FailSafe over EtherCAT
- 8 digital inputs, four of them are parametrisable P- or N-switching
- 2-wire, 3-wire, 4-wire connection

UR20-8DI-PN-FSOE-V2



Technical data

System data	
Interface	u-remote system bus
Transmission speed of system bus, max.	48 Mbit
Galvanic isolation	500 V DC between the current paths
Safety related data	
Achievable safety level, inputs / Achievable safety level, inputs	SILCL 2 (IEC 62061), SILCL 3 (IEC 62061) / PLd, category 2 (DIN EN ISO 13849-1) / architecture 1oo1 (1 channel), Plc, category 4 (DIN EN ISO 13849-1) / architecture 1oo2 (2 channels)
PFH (probability of failure per hour in 1/h), inputs	Single-channel circuit 1oo1: 10-8, Dual-channel circuit 1oo2: 2,17*10 ⁻¹⁰
Proportion of safety-related outages (SFF)	98 %
Supply	
Voltage supply	24 V DC +20 %/- 15 %, via the system bus
Current consumption I _m (power segment of the field bus coupler), typ.	8 mA
Current consumption from I _{OUT} (the respective power segment)	30 mA
Inputs	
Number	8
Input type	Type 1 in acc. with IEC 61131-2, Type 3 in acc. with IEC 61131-2
Input filter	configurable
Input voltage, low	< 5 V
Input voltage, high	> 11 V
Sensor supply	Yes
Sensor connection	2-wire, 3-wire, 4-wire
Reverse polarity protection	Yes
Module diagnosis	Yes
Individual channel diagnosis	Yes
General data	
Weight	89.69 g
Dimensions H x W x D	120 mm / 11.5 mm / 76 mm
Note	

Ordering data

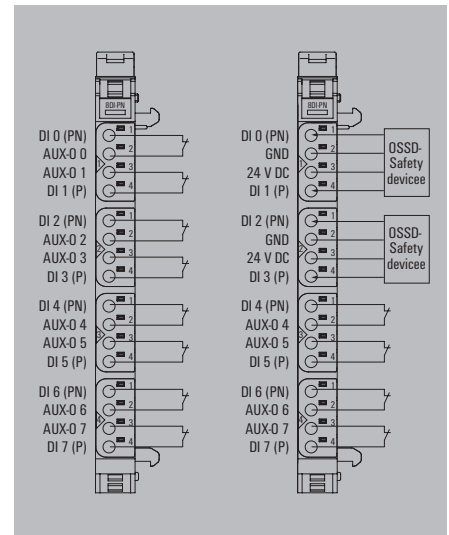
Module variants	
	Safety module FSOE, 8 digital inputs
Note	

Accessories

	Coding elements
	Termination kit
	Swivel marker
Connection marker for pusher custom printing	
Connection marker for pusher neutral	
Module marker for custom printing	
Module marker for neutral	
Thermotransfer version (Material: Polyester)	
Thermotransfer version (material: polyester)	
Paper version for Laserprinter	
Replacement parts	
	Electronic module
	Basic module
	Plug-in connector unit
Note	

Type		
Type	Qty.	Order No.
UR20-8DI-PN-FSOE-V2	1	2464600000
For this and additional technical data, please refer to the manual available at www.weidmueller.de .		

Type		
Type	Qty.	Order No.
KOSM BHZ5.00	100	1483050000
UR20-EBK-ACC	5	1346610000
UR20-SM-ACC	20	1339920000
PM 2.7/2.6 MC SDR	192	1323700000
PM 2.7/2.6 MC NE WS	960	1323710000
DEK 5/8-11.5 MC SDR	100	1341610000
DEK 5/8-11.5 MC NE WS	500	1341630000
THM UR20 GE	1	1429910000
THM UR20 WS	1	1429420000
ESO UR20 DIN A4 WS	10	1429430000
Type		
Type	Qty.	Order No.
UR20-EM-2464600000-SP	1	2465960000
UR20-BM-SP	5	1350930000
UR20-PK-2464600000-SP	5	2465940000
1 roll = 1000 label = 1 Qty. 1 sheet = 60 label = 1 Qty.		



Product standard	IEC 61131-2
EMC	EN IEC 61000
ATEX	EN 60079
UL	UL 61010-2-201
MSIP	not available
CCC	available
EAC	available
ABS (American Bureau of Shipping)	not available
BSH (Federal Maritime and Hydrographic Agency)	not available
BV (Bureau Veritas)	not available
DNV (Det Norske Veritas)	not available
LR (Lloyd's Register)	not available
RINA (Registro Italiano Navale)	not available
KR (Korean Register)	not available
NK (Nippon Kaiji Kyokai)	not available
PRS (Polish Register of Shipping)	not available
RMRoS (Russian Maritime Register of Shipping)	not available
You can find the latest information online at www.weidmueller.com	

4DI-4DO-PN-FSPS-V2

- PROFI-safe
- 4 digital inputs, two of them are parametrisable P- or N-switching
- 4 digital outputs, two of them are parametrisable P- or N-switching
- Constant current with thermal switch-off

Technical data

System data	
Interface	u-remote system bus
Transmission speed of system bus, max.	48 Mbit
Galvanic isolation	500 V DC between the current paths
Safety related data	
Achievable safety level, inputs / outputs	SIL 3 (IEC 61508), SILCL 3 (IEC 62061), Ple, category 4 (DIN EN ISO 13849-1) / architecture 1oo2 (2 channels)
Level of diagnostic coverage DC _{AVG} (IEC 62061)	Input: 0.921, output: 0.969
Level of diagnostic coverage (DIN EN ISO 13849)	Input, single-channel wiring: 90%; dual-channel wiring: 99%
PFH (probability of failure per hour in 1/h), inputs	Single-channel circuit 1oo1: 10-8, Dual-channel circuit 1oo2: 2,17*10 ⁻¹⁰
Proportion of safety-related outages (SFF)	98 %
HFT (hardware fault tolerance), inputs	Single-channel circuit 1oo1: 0
HFT (hardware fault tolerance), outputs	1
Supply	
Voltage supply	24 V DC +20 %/ -15 %, via the system bus
Current consumption I _{IN} (power segment of the field bus coupler), typ.	8 mA
Current consumption from I _{OUT} (the respective power segment)	30 mA
Inputs	
Number	4
Input filter	configurable
Input voltage, low / high	< 5 V / > 11 V
Reverse polarity protection	Yes
Outputs	
Number	4
Output current per channel, max. / Output current per module, max.	0.5 A / 2 A
Actuator connection	2-wire
Short-circuit-proof	Yes
Response time of the protective circuit (current limiting)	< 100µs
General data	
Weight	89.7 g
Dimensions H x W x D	120 mm / 11.5 mm / 76 mm
Note	

Ordering data

Module variants	
	Safety module PROFI-safe, 4 digital inputs/outputs
Note	

Accessories

	Coding elements
	Termination kit
	Swivel marker
	Connection marker for pusher custom printing
	Connection marker for pusher neutral
	Module marker for custom printing
	Module marker for neutral
	Thermotransfer version (Material: Polyester)
	Thermotransfer version (material: polyester)
	Paper version for Laserprinter
Replacement parts	
	Electronic module
	Basic module
	Plug-in connector unit
Note	

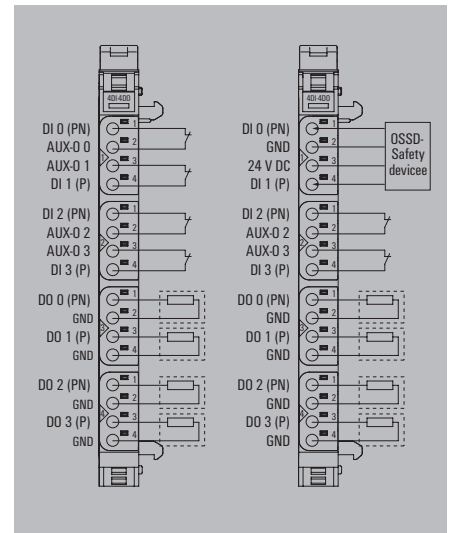
UR20-4DI-4DO-PN-FSPS-V2



System data		
Interface	u-remote system bus	
Transmission speed of system bus, max.	48 Mbit	
Galvanic isolation	500 V DC between the current paths	
Safety related data		
Achievable safety level, inputs / outputs	SIL 3 (IEC 61508), SILCL 3 (IEC 62061), Ple, category 4 (DIN EN ISO 13849-1) / architecture 1oo2 (2 channels)	
Level of diagnostic coverage DC _{AVG} (IEC 62061)	Input: 0.921, output: 0.969	
Level of diagnostic coverage (DIN EN ISO 13849)	Input, single-channel wiring: 90%; dual-channel wiring: 99%	
PFH (probability of failure per hour in 1/h), inputs	Single-channel circuit 1oo1: 10-8, Dual-channel circuit 1oo2: 2,17*10 ⁻¹⁰	
Proportion of safety-related outages (SFF)	98 %	
HFT (hardware fault tolerance), inputs	Single-channel circuit 1oo1: 0	
HFT (hardware fault tolerance), outputs	1	
Supply		
Voltage supply	24 V DC +20 %/ -15 %, via the system bus	
Current consumption I _{IN} (power segment of the field bus coupler), typ.	8 mA	
Current consumption from I _{OUT} (the respective power segment)	30 mA	
Inputs		
Number	4	
Input filter	configurable	
Input voltage, low / high	< 5 V / > 11 V	
Reverse polarity protection	Yes	
Outputs		
Number	4	
Output current per channel, max. / Output current per module, max.	0.5 A / 2 A	
Actuator connection	2-wire	
Short-circuit-proof	Yes	
Response time of the protective circuit (current limiting)	< 100µs	
General data		
Weight	89.7 g	
Dimensions H x W x D	120 mm / 11.5 mm / 76 mm	
Note		

Type	Qty.	Order No.
UR20-4DI-4DO-PN-FSPS-V2	1	2464570000
For this and additional technical data, please refer to the manual available at www.weidmuller.de .		

Type	Qty.	Order No.
KOSM BHZ5.00	100	1483050000
UR20-EBK-ACC	5	1346610000
UR20-SM-ACC	20	1339920000
PM 2.7/2.6 MC SDR	192	1323700000
PM 2.7/2.6 MC NE WS	960	1323710000
DEK 5/8-11.5 MC SDR	100	1341610000
DEK 5/8-11.5 MC NE WS	500	1341630000
THM UR20 GE	1	1429910000
THM UR20 WS	1	1429420000
ESO UR20 DIN A4 WS	10	1429430000
Replacement parts		
UR20-EM-2464570000-SP	1	2466030000
UR20-BM-SP	5	1350930000
UR20-PK-2464570000-SP	5	2466000000
1 roll = 1000 label = 1 Qty. 1 sheet = 60 label = 1 Qty.		



Product standard	IEC 61131-2
EMC	EN IEC 61000
ATEX	EN 60079
UL	UL 61010-2-201
MSIP	not available
CCC	available
EAC	available
ABS (American Bureau of Shipping)	not available
BSH (Federal Maritime and Hydrographic Agency)	not available
BV (Bureau Veritas)	available
DNV (Det Norske Veritas)	not available
LR (Lloyd's Register)	available
RINA (Registro Italiano Navale)	available
KR (Korean Register)	not available
NK (Nippon Kaiji Kyokai)	not available
PRS (Polish Register of Shipping)	not available
RMRoS (Russian Maritime Register of Shipping)	not available
You can find the latest information online at www.weidmuller.com	

Safe I/O modules and safe power-feed modules

8DI-PN-FSPS-V2

- PROFI-safe
- 8 digital inputs, four of them are parametrisable P- or N-switching
- 2-wire, 3-wire, 4-wire connection

UR20-8DI-PN-FSPS-V2



Technical data

System data

Interface
Transmission speed of system bus, max.

Galvanic isolation

Safety related data

Achievable safety level, inputs / Achievable safety level, inputs

PFH (probability of failure per hour in 1/h), inputs

Proportion of safety-related outages (SFF)

Supply

Voltage supply

Current consumption I_{in} (power segment of the field bus coupler), typ.

Current consumption from I_{out} (the respective power segment)

Inputs

Number

Input type

Input filter

Input voltage, low

Input voltage, high

Sensor supply

Sensor connection

Reverse polarity protection

Module diagnosis

Individual channel diagnosis

General data

Weight

Dimensions H x W x D

Note

u-remote system bus

48 Mbit

500 V DC between the current paths

SILCL 2 (IEC 62061), SILCL 3 (IEC 62061) / PLd, category 2 (DIN EN ISO 13849-1) / architecture 1oo1 (1 channel), Plc, category 4 (DIN EN ISO 13849-1) / architecture 1oo2 (2 channels)

Single-channel circuit 1oo1: 10-8, Dual-channel circuit 1oo2: 2,17*10-10

98 %

24 V DC +20 % / -15 %, via the system bus

8 mA

30 mA

8

Type 1 in acc. with IEC 61131-2, Type 3 in acc. with IEC 61131-2 configurable

< 5 V

> 11 V

Yes

2-wire, 3-wire, 4-wire

Yes

Yes

Yes

88.82 g

120 mm / 11.5 mm / 76 mm

Ordering data

Module variants

Safety module PROFI-safe, 8 digital inputs

Note

Accessories

	Coding elements
	Termination kit
	Swivel marker
	Connection marker for pusher custom printing
	Connection marker for pusher neutral
	Module marker for custom printing
	Module marker for neutral
	Thermotransfer version (Material: Polyester)
	Thermotransfer version (material: polyester)
	Paper version for Laserprinter

Replacement parts

	Electronic module
	Basic module
	Plug-in connector unit

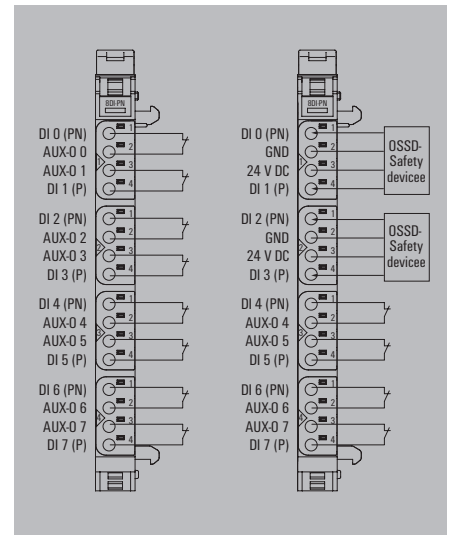
Note

Type	Qty.	Order No.
UR20-8DI-PN-FSPS-V2	1	2464590000
For this and additional technical data, please refer to the manual available at www.weidmueller.de .		

Type	Qty.	Order No.
KOSM BHZ5.00	100	1483050000
UR20-EBK-ACC	5	1346610000
UR20-SM-ACC	20	1339920000
PM 2.7/2.6 MC SDR	192	1323700000
PM 2.7/2.6 MC NE WS	960	1323710000
DEK 5/8-11.5 MC SDR	100	1341610000
DEK 5/8-11.5 MC NE WS	500	1341630000
THM UR20 GE	1	1429910000
THM UR20 WS	1	1429420000
ESO UR20 DIN A4 WS	10	1429430000

UR20-EM-2464590000-SP	1	2466010000
UR20-BM-SP	5	1350930000
UR20-PK-2464590000-SP	5	2465950000

1 roll = 1000 label = 1 Qty.
1 sheet = 60 label = 1 Qty.



Product standard	IEC 61131-2
EMC	EN IEC 61000
ATEX	EN 60079
UL	UL 61010-2-201
MSIP	not available
CCC	available
EAC	available
ABS (American Bureau of Shipping)	not available
BSH (Federal Maritime and Hydrographic Agency)	not available
BV (Bureau Veritas)	not available
DNV (Det Norske Veritas)	not available
LR (Lloyd's Register)	available
RINA (Registro Italiano Navale)	available
KR (Korean Register)	not available
NK (Nippon Kaiji Kyokai)	not available
PRS (Polish Register of Shipping)	not available
RMRoS (Russian Maritime Register of Shipping)	not available

You can find the latest information online at www.weidmueller.com

PF-O-1DI-SIL

- SIL 3 safety standard in accordance with IEC 62061 and DIN EN ISO 13849-1, category 4, PL e
- Connection for an emergency stop circuit
- OSSD output reports status to control unit
- Pulsed input circuit for wire breakage and short-circuit detection
- Restart: manual or using autostart

Technical data

System data	
Interface	u-remote system bus
Transmission speed of system bus, max.	48 Mbit
Safety related data	
Achievable safety level, inputs	SIL 3 (IEC 61508)
Proportion of safety-related outages (SFF)	98 %
HFT (hardware fault tolerance), inputs	1
Supply	
Supply voltage for inputs	24 V DC +20 %/ -15 %
Supply voltage for outputs	24 V DC +20 %/ -15 %
Feed current for I _{OUT} (output current path) , max.	8050 mA
Current consumption I _{IN} (power segment of the field bus coupler), typ.	8 mA
Digital inputs	
Wire break detection	Yes
Short-circuit detection	Yes
General data	
Weight	108 g
Dimensions H x W x D	120 mm / 11.5 mm / 76 mm
Note	

Ordering data

Module variants	
	Safety module, 1 digital input
Note	

Accessories

	Coding elements
	Termination kit
	Swivel marker
Connection marker for pusher custom printing	
Connection marker for pusher neutral	
Module marker for custom printing	
Module marker for neutral	
Thermotransfer version (Material: Polyester)	
Thermotransfer version (material: polyester)	
Paper version for Laserprinter	
Replacement parts	
	Electronic module
	Basic module
	Plug-in connector unit
Note	

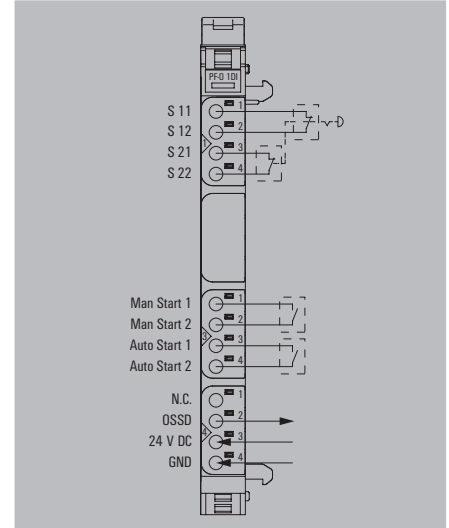
UR20-PF-O-1DI-SIL



System data		
Interface	u-remote system bus	
Transmission speed of system bus, max.	48 Mbit	
Safety related data		
Achievable safety level, inputs	SIL 3 (IEC 61508)	
Proportion of safety-related outages (SFF)	98 %	
HFT (hardware fault tolerance), inputs	1	
Supply		
Supply voltage for inputs	24 V DC +20 %/ -15 %	
Supply voltage for outputs	24 V DC +20 %/ -15 %	
Feed current for I _{OUT} (output current path) , max.	8050 mA	
Current consumption I _{IN} (power segment of the field bus coupler), typ.	8 mA	
Digital inputs		
Wire break detection	Yes	
Short-circuit detection	Yes	
General data		
Weight	108 g	
Dimensions H x W x D	120 mm / 11.5 mm / 76 mm	
Note		

Type	Qty.	Order No.
UR20-PF-O-1DI-SIL	1	1335030000

Type	Qty.	Order No.
KOSM BHZ5.00	100	1483050000
UR20-EBK-ACC	5	1346610000
UR20-SM-ACC	20	1339920000
PM 2.7/2.6 MC SDR	192	1323700000
PM 2.7/2.6 MC NE WS	960	1323710000
DEK 5/8-11.5 MC SDR	100	1341610000
DEK 5/8-11.5 MC NE WS	500	1341630000
THM UR20 GE	1	1429910000
THM UR20 WS	1	1429420000
ESO UR20 DIN A4 WS	10	1429430000
Replacement parts		
UR20-EM-1335030000-SP	1	1347520000
UR20-BM-PF-O-SIL-SP	5	1350970000
UR20-PK-1335030000-SP	5	1346560000
Note		
1 roll = 1000 label = 1 Qty.		
1 sheet = 60 label = 1 Qty.		



Product standard	IEC 61131-2
EMC	EN IEC 61000
ATEX	EN 60079
UL	UL 61010-2-201
MSIP	MSIP-REM-WMG-1335030000
CCC	available
EAC	available
ABS (American Bureau of Shipping)	not available
BSH (Federal Maritime and Hydrographic Agency)	not available
BV (Bureau Veritas)	not available
DNV (Det Norske Veritas)	not available
LR (Lloyd's Register)	not available
RINA (Registro Italiano Navale)	not available
KR (Korean Register)	available
NK (Nippon Kaiji Kyokai)	not available
PRS (Polish Register of Shipping)	not available
RMRoS (Russian Maritime Register of Shipping)	not available
You can find the latest information online at www.weidmuller.com	

Safe I/O modules and safe power-feed modules

PF-O-2DI-SIL

- SIL 3 safety standard in accordance with IEC 62061 and DIN EN ISO 13849-1, category 4, PL e
- Connection for an emergency stop circuit
- OSSD output reports status to control unit
- Pulsed input circuit for wire breakage and short-circuit detection
- Restart: manual or using autostart

Technical data

System data

Interface
Transmission speed of system bus, max.

Safety related data

Achievable safety level, inputs
Proportion of safety-related outages (SFF)
HFT (hardware fault tolerance), inputs

Supply

Supply voltage for inputs
Supply voltage for outputs
Feed current for I_{OUT} (output current path), max.
Current consumption I_{IN} (power segment of the field bus coupler), typ.

Digital inputs

Wire break detection
Short-circuit detection

General data

Weight
Dimensions H x W x D

Note

Ordering data

Module variants

Safety module, 2 digital inputs

Note

Accessories

	Coding elements
	Termination kit
	Swivel marker
	Connection marker for pusher custom printing
	Connection marker for pusher neutral
	Module marker for custom printing
	Module marker for neutral
	Thermotransfer version (Material: Polyester)
	Thermotransfer version (material: polyester)
	Paper version for Laserprinter

Replacement parts

	Electronic module
	Basic module
	Plug-in connector unit

Note

UR20-PF-O-2DI-SIL



u-remote system bus

48 Mbit

SIL 3 (IEC 61508)

98 %

1

24 V DC +20 % / -15 %

24 V DC +20 % / -15 %

8050

8 mA

Yes

Yes

82 g

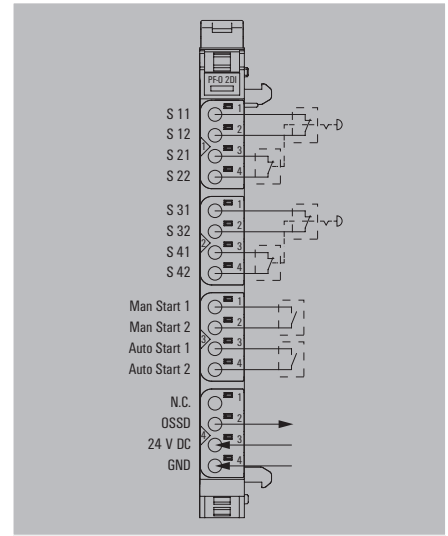
120 mm / 11.5 mm / 76 mm

Type	Qty.	Order No.
UR20-PF-O-2DI-SIL	1	1335050000

Type	Qty.	Order No.
KOSM BHZ5.00	100	1483050000
UR20-EBK-ACC	5	1346610000
UR20-SM-ACC	20	1339920000
PM 2.7/2.6 MC SDR	192	1323700000
PM 2.7/2.6 MC NE WS	960	1323710000
DEK 5/8-11.5 MC SDR	100	1341610000
DEK 5/8-11.5 MC NE WS	500	1341630000
THM UR20 GE	1	1429910000
THM UR20 WS	1	1429420000
ESO UR20 DIN A4 WS	10	1429430000

UR20-EM-1335050000-SP	1	1347540000
UR20-BM-PF-O-SIL-SP	5	1350970000
UR20-PK-1335050000-SP	5	1346570000

1 roll = 1000 label = 1 Qty.
1 sheet = 60 label = 1 Qty.



Product standard	IEC 61131-2
EMC	EN IEC 61000
ATEX	EN 60079
UL	UL 61010-2-201
MSIP	MSIP-REM-WMG-1335050000
CCC	available
EAC	available
ABS (American Bureau of Shipping)	not available
BSH (Federal Maritime and Hydrographic Agency)	not available
BV (Bureau Veritas)	not available
DNV (Det Norske Veritas)	not available
LR (Lloyd's Register)	not available
RINA (Registro Italiano Navale)	not available
KR (Korean Register)	available
NK (Nippon Kaiji Kyokai)	not available
PRS (Polish Register of Shipping)	not available
RMRoS (Russian Maritime Register of Shipping)	not available

You can find the latest information online at www.weidmuller.com

PF-O-2DI-DELAY-SIL

- SIL 3 safety standard in accordance with IEC 62061 and DIN EN ISO 13849-1, category 4, PL e
- Switch-off after adjustable delay
- Connection for an emergency stop circuit
- OSSD output reports status to control unit
- Pulsed input circuit for wire breakage and short-circuit detection
- Restart: manual or using autostart

Technical data

System data	
Interface	u-remote system bus
Transmission speed of system bus, max.	48 Mbit
Safety related data	
Achievable safety level, inputs	SIL 3 (IEC 61508)
Proportion of safety-related outages (SFF)	98 %
HFT (hardware fault tolerance), inputs	1
Supply	
Supply voltage for inputs	24 V DC +20 %/ -15 %
Supply voltage for outputs	24 V DC +20 %/ -15 %
Feed current for I _{OUT} (output current path) , max.	8050
Current consumption I _{IN} (power segment of the field bus coupler), typ.	8 mA
Digital inputs	
Wire break detection	Yes
Short-circuit detection	Yes
General data	
Weight	101 g
Dimensions H x W x D	120 mm / 11.5 mm / 76 mm
Note	

Ordering data

Module variants	
	Safety module, 2 digital inputs, delayed
Note	

Accessories

	Coding elements
	Termination kit
	Swivel marker
Connection marker for pusher custom printing	
Connection marker for pusher neutral	
Module marker for custom printing	
Module marker for neutral	
Thermotransfer version (Material: Polyester)	
Thermotransfer version (material: polyester)	
Paper version for Laserprinter	
Replacement parts	
	Electronic module
	Basic module
	Plug-in connector unit
Note	

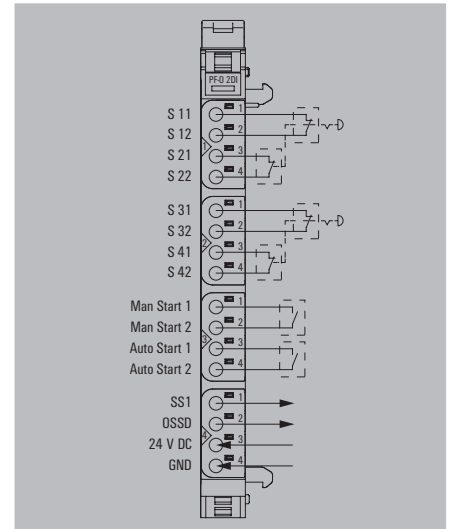
UR20-PF-O-2DI-DELAY-SIL



System data		
Interface	u-remote system bus	
Transmission speed of system bus, max.	48 Mbit	
Safety related data		
Achievable safety level, inputs	SIL 3 (IEC 61508)	
Proportion of safety-related outages (SFF)	98 %	
HFT (hardware fault tolerance), inputs	1	
Supply		
Supply voltage for inputs	24 V DC +20 %/ -15 %	
Supply voltage for outputs	24 V DC +20 %/ -15 %	
Feed current for I _{OUT} (output current path) , max.	8050	
Current consumption I _{IN} (power segment of the field bus coupler), typ.	8 mA	
Digital inputs		
Wire break detection	Yes	
Short-circuit detection	Yes	
General data		
Weight	101 g	
Dimensions H x W x D	120 mm / 11.5 mm / 76 mm	
Note		

Type	Qty.	Order No.
UR20-PF-O-2DI-DELAY-SIL	1	1335040000

Type	Qty.	Order No.
KOSM BHZ5.00	100	1483050000
UR20-EBK-ACC	5	1346610000
UR20-SM-ACC	20	1339920000
PM 2.7/2.6 MC SDR	192	1323700000
PM 2.7/2.6 MC NE WS	960	1323710000
DEK 5/8-11.5 MC SDR	100	1341610000
DEK 5/8-11.5 MC NE WS	500	1341630000
THM UR20 GE	1	1429910000
THM UR20 WS	1	1429420000
ESO UR20 DIN A4 WS	10	1429430000
UR20-EM-1335040000-SP	1	1347530000
UR20-BM-PF-O-SIL-SP	5	1350970000
UR20-PK-1335040000-SP	5	1484100000
1 roll = 1000 label = 1 Qty. 1 sheet = 60 label = 1 Qty.		



Product standard	IEC 61131-2
EMC	EN IEC 61000
ATEX	EN 60079
UL	UL 61010-2-201
MSIP	MSIP-REM-WMG-1335040000
CCC	available
EAC	available
ABS (American Bureau of Shipping)	not available
BSH (Federal Maritime and Hydrographic Agency)	not available
BV (Bureau Veritas)	not available
DNV (Det Norske Veritas)	not available
LR (Lloyd's Register)	not available
RINA (Registro Italiano Navale)	not available
KR (Korean Register)	available
NK (Nippon Kaiji Kyokai)	not available
PRS (Polish Register of Shipping)	not available
RMRoS (Russian Maritime Register of Shipping)	not available
You can find the latest information online at www.weidmuller.com	

Power-feed modules

10 A feeding, input or output current path, diagnosis visualisation

Weidmüller power-feed modules are available to refresh the power of the input and output current path. These feed 10 A, monitored by the voltage diagnosis display, in the corresponding input or output path. The time-saving commissioning is guaranteed by the standard u-remote plug with proven and tested PUSH IN technology for reliable contacting. The power supply is monitored by a diagnosis display.

C

UR20-PF-I



UR20-PF-0



PF-I

- Power supply in input current path
- Power supply current 10 A
- Integrated diagnosis display

UR20-PF-I



Technical data

Supply
Supply voltage for inputs
Feed current for I_{in} (input current path) , max.
Current consumption I_{in} (the respective power segment)
General data
Weight
Dimensions H x W x D
Note

24 V DC +20 %/ -15 %
10000 mA
< 10 mA
76 g
120 mm / 11.5 mm / 76 mm

Ordering data

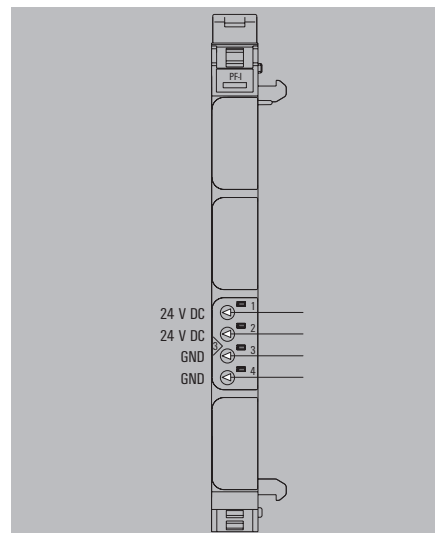
Module variants	Power supply module, 10 A
Note	

Type	Qty.	Order No.
UR20-PF-I	1	1334710000

Accessories

Coding elements	KOSM BHZ5.00	100	1483050000
Termination kit	UR20-EBK-ACC	5	1346610000
Swivel marker	UR20-SM-ACC	20	1339920000
Connection marker for pusher custom printing	PM 2.7/2.6 MC SDR	192	1323700000
Connection marker for pusher neutral	PM 2.7/2.6 MC NE WS	960	1323710000
Module marker for custom printing	DEK 5/8-11.5 MC SDR	100	1341610000
Module marker for neutral	DEK 5/8-11.5 MC NE WS	500	1341630000
Thermotransfer version (Material: Polyester)	THM UR20 GE	1	1429910000
Thermotransfer version (material: polyester)	THM UR20 WS	1	1429420000
Paper version for Laserprinter	ESO UR20 DIN A4 WS	10	1429430000
Replacement parts			
Electronic module	UR20-EM-1334710000-SP	1	1347380000
Basic module	UR20-BM-PF-I-SP	5	1350940000
Plug-in connector unit	UR20-PK-1334710000-SP	5	1346460000
Note	1 roll = 1000 label = 1 Qty. 1 sheet = 60 label = 1 Qty.		

Type	Qty.	Order No.
KOSM BHZ5.00	100	1483050000
UR20-EBK-ACC	5	1346610000
UR20-SM-ACC	20	1339920000
PM 2.7/2.6 MC SDR	192	1323700000
PM 2.7/2.6 MC NE WS	960	1323710000
DEK 5/8-11.5 MC SDR	100	1341610000
DEK 5/8-11.5 MC NE WS	500	1341630000
THM UR20 GE	1	1429910000
THM UR20 WS	1	1429420000
ESO UR20 DIN A4 WS	10	1429430000
UR20-EM-1334710000-SP	1	1347380000
UR20-BM-PF-I-SP	5	1350940000
UR20-PK-1334710000-SP	5	1346460000



Product standard	IEC 61131-2
EMC	EN IEC 61000
ATEX	EN 60079
UL	UL 61010-2-201
MSIP	MSIP-REM-WMG-1334710000
CCC	available
EAC	available
ABS (American Bureau of Shipping)	available
BSH (Federal Maritime and Hydrographic Agency)	available
BV (Bureau Veritas)	available
DNV (Det Norske Veritas)	available
LR (Lloyd's Register)	available
RINA (Registro Italiano Navale)	available
KR (Korean Register)	available
NK (Nippon Kaiji Kyokai)	available
PRS (Polish Register of Shipping)	available
RMRoS (Russian Maritime Register of Shipping)	available
You can find the latest information online at www.weidmuller.com	



Power-feed modules

PF-0

- Power supply in output current path
- Power supply current 10 A
- Integrated diagnosis display

UR20-PF-0



Technical data

Supply

Supply voltage for outputs
 Feed current for I_{OUT} (output current path) , max.
 Current consumption from I_{OUT} (the respective power segment)

General data

Weight
 Dimensions H x W x D

Note

24 V DC +20 %/ -15 %
 10000 mA
 < 10 mA

76 g
 120 mm / 11.5 mm / 76 mm

Ordering data

Module variants

Power supply module, 10 A

Note

Type	Qty.	Order No.
UR20-PF-0	1	1334740000

Accessories

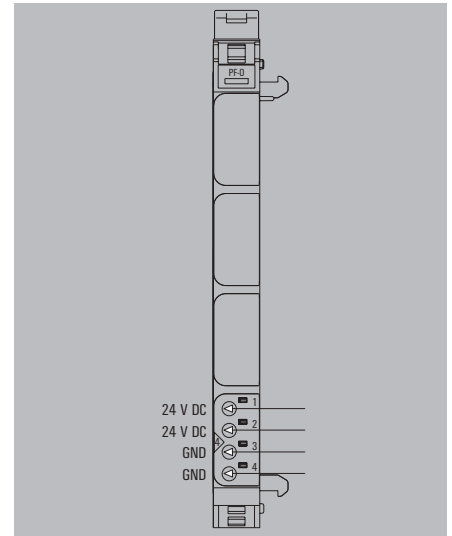
Coding elements	KOSM BHZ5.00	100	1483050000
Termination kit	UR20-EBK-ACC	5	1346610000
Swivel marker	UR20-SM-ACC	20	1339920000
Connection marker for pusher custom printing	PM 2.7/2.6 MC SDR	192	1323700000
Connection marker for pusher neutral	PM 2.7/2.6 MC NE WS	960	1323710000
Module marker for custom printing	DEK 5/8-11.5 MC SDR	100	1341610000
Module marker for neutral	DEK 5/8-11.5 MC NE WS	500	1341630000
Thermotransfer version (Material: Polyester)	THM UR20 GE	1	1429910000
Thermotransfer version (material: polyester)	THM UR20 WS	1	1429420000
Paper version for Laserprinter	ESO UR20 DIN A4 WS	10	1429430000

Replacement parts

Electronic module	UR20-EM-1334740000-SP	1	1347420000
Basic module	UR20-BM-PF-0-SP	5	1350950000
Plug-in connector unit	UR20-PK-1334740000-SP	5	1346480000

Note

1 roll = 1000 label = 1 Qty.
 1 sheet = 60 label = 1 Qty.



Product standard	IEC 61131-2
EMC	EN IEC 61000
ATEX	EN 60079
UL	UL 61010-2-201
MSIP	MSIP-REM-WMG-1334740000
CCC	available
EAC	available
ABS (American Bureau of Shipping)	available
BSH (Federal Maritime and Hydrographic Agency)	available
BV (Bureau Veritas)	available
DNV (Det Norske Veritas)	available
LR (Lloyd's Register)	available
RINA (Registro Italiano Navale)	available
KR (Korean Register)	available
NK (Nippon Kaiji Kyokai)	available
PRS (Polish Register of Shipping)	available
RMRoS (Russian Maritime Register of Shipping)	available

You can find the latest information online at www.weidmuller.com

Accessories

Potential distribution modules, system accessories

A wide range of accessory modules is provided for the individual requirements of machine and plant construction. Various potential distribution modules are available for directly supplying sensors with 2-wire, 3-wire or 3-wire+FE connection technology from the remote I/O system. These provide 16 "PUSH IN" potential points and supply your application with each auxiliary potential available. An empty module, where the system bus and voltage supply are looped through, allows you to plan expansion slots in a system and to start these up without any interruptions if required.

UR20-ES



UR20-16AUX-I



UR20-16AUX-O



UR20-16AUX-FE



UR20-16AUX-GND-I



UR20-16AUX-GND-O



AUX

- Distribution of the various potentials
- Actuator and sensor supply
- 16 PUSH IN potential contacts

UR20-16AUX



Technical data

Supply	
Voltage supply	24 V DC +20 %/-15 %, from input or output current path / FE
General data	
Weight	84 g
Dimensions H x W x D	120 mm / 11.5 mm / 76 mm
Note	

Supply	
Voltage supply	24 V DC +20 %/-15 %, from input or output current path / FE
General data	
Weight	84 g
Dimensions H x W x D	120 mm / 11.5 mm / 76 mm
Note	

Ordering data

Module variants	
Potential distribution module	
Note	

Type	Qty.	Order No.
UR20-16AUX-I	1	1334770000
UR20-16AUX-O	1	1334780000
UR20-16AUX-FE	1	1334790000
UR20-16AUX-GND-I	1	1334800000
UR20-16AUX-GND-O	1	1334810000

Accessories

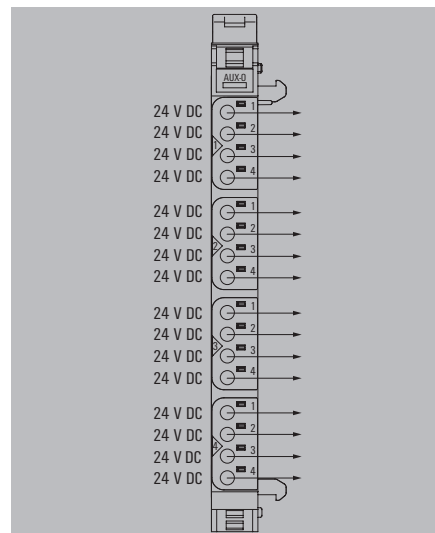
Coding elements	
Termination kit	
Swivel marker	
Connection marker for pusher custom printing	
Connection marker for pusher neutral	
Module marker for custom printing	
Module marker for neutral	
Thermotransfer version (Material: Polyester)	
Thermotransfer version (material: polyester)	
Paper version for Laserprinter	
USB cable (USB A to Micro USB)	

Type	Qty.	Order No.
KOSM BHZ5.00	100	1483050000
UR20-EBK-ACC	5	1346610000
UR20-SM-ACC	20	1339920000
PM 2.7/2.6 MC SDR	192	1323700000
PM 2.7/2.6 MC NE WS	960	1323710000
DEK 5/8-11.5 MC SDR	100	1341610000
DEK 5/8-11.5 MC NE WS	500	1341630000
THM UR20 GE	1	1429910000
THM UR20 WS	1	1429420000
ESO UR20 DIN A4 WS	10	1429430000
IE-USB-A-MICRO-1.8M	1	1487980000

Replacement parts	
Electronic module	
Basic module	
Plug-in connector unit	
Note	

UR20-EM-1334770000-SP	1	1347450000
UR20-EM-1334780000-SP	1	1347470000
UR20-EM-1334790000-SP	1	1347480000
UR20-EM-1334800000-SP	1	1347490000
UR20-EM-1334810000-SP	1	1347500000
UR20-BM-SP	5	1350930000
UR20-PK-1334770000-SP	5	1346450000
UR20-PK-1334790000-SP	5	1346490000
UR20-PK-1334800000-SP	5	1346470000
UR20-PK-1334780000-SP	5	1484080000
UR20-PK-1334810000-SP	5	1484090000

1 roll = 1000 label = 1 Qty.
1 sheet = 60 label = 1 Qty.



Product standard	IEC 61131-2
EMC	EN IEC 61000
ATEX	EN 60079
UL	UL 61010-2-201
MSIP	MSIP-REM-WMG-1334770000 MSIP-REM-WMG-1334780000 MSIP-REM-WMG-1334790000 MSIP-REM-WMG-1334800000 MSIP-REM-WMG-1334810000
CCC	available
EAC	available
ABS (American Bureau of Shipping)	available
BSH (Federal Maritime and Hydrographic Agency)	available
BV (Bureau Veritas)	available
DNV (Det Norske Veritas)	available
LR (Lloyd's Register)	available
RINA (Registro Italiano Navale)	available
KR (Korean Register)	available
NK (Nippon Kaiji Kyokai)	available
PRS (Polish Register of Shipping)	available
RMRoS (Russian Maritime Register of Shipping)	available



Accessories

Empty slot module

- Forwarding of system bus and voltage paths
- Space for subsequent expansion
- Basis for all I/O modules

UR20-ES



Technical data

General data

Weight
Dimensions H x W x D

70 g
120 mm / 11.5 mm / 76 mm

Note

Ordering data

Module variants

Empty module

Note

Type	Qty.	Order No.
UR20-ES	1	1315770000

Accessories

Coding elements	
Termination kit	
Swivel marker	
Connection marker for pusher custom printing	
Connection marker for pusher neutral	
Module marker for custom printing	
Module marker for neutral	
Thermotransfer version (Material: Polyester)	
Thermotransfer version (material: polyester)	
Paper version for Laserprinter	
Replacement parts	
Electronic module	
Basic module	
Plug-in connector unit	
Note	

Type	Qty.	Order No.
KOSM BHZ5.00	100	1483050000
UR20-EBK-ACC	5	1346610000
UR20-SM-ACC	20	1339920000
PM 2.7/2.6 MC SDR	192	1323700000
PM 2.7/2.6 MC NE WS	960	1323710000
DEK 5/8-11.5 MC SDR	100	1341610000
DEK 5/8-11.5 MC NE WS	500	1341630000
THM UR20 GE	1	1429910000
THM UR20 WS	1	1429420000
ESO UR20 DIN A4 WS	10	1429430000
UR20-EM-1315770000-SP	1	1347370000
UR20-BM-SP	5	1350930000
UR20-PK-1315770000-SP	5	1346510000
1 roll = 1000 label = 1 Qty. 1 sheet = 60 label = 1 Qty.		

Product standard	IEC 61131-2
EMC	EN 61000
ATEX	EN 60079
UL	UL 61010-2-201
MSIP	MSIP-REM-WMG-1315770000
CCC	
EAC	
ABS (American Bureau of Shipping)	
BSH (Federal Maritime and Hydrographic Agency)	
BV (Bureau Veritas)	
DNV (Det Norske Veritas)	
LR (Lloyd's Register)	
RINA (Registro Italiano Navale)	
KR (Korean Register)	
NK (Nippon Kaiji Kyokai)	
PRS (Polish Register of Shipping)	
RMRS (Russian Maritime Register of Shipping)	

Termination kit

- Includes an end plate and two end brackets

UR20-EBK



Ordering data

Module variants

Termination kit

Note

Type	Qty.	Order No.
UR20-EBK-ACC	5	1346610000

Individual components

In the event of repairs, Weidmüller offers you the option of replacing defective individual components. The following list shows the modules that can be ordered.

Ordering data spare parts

Product	Order No.
UR20-FBC-PB-DF-V2	2614380000
UR20-FBC-PN-RT-V2	2666380000
UR20-FBC-PN-ECO	2659680000
UR20-FBC-EC	1334910000
UR20-FBC-EC-EC	2659690000
UR20-FBC-MOD-TCP-V2	2476450000
UR20-FBC-MOD-TCP-ECO	2659700000
UR20-FBC-EIP	1334920000
UR20-FBC-EIP-V2	1550550000
UR20-FBC-EIP-ECO	2799510000
UR20-FBC-DN	1334900000
UR20-FBC-CAN	1334890000
UR20-FBC-PL	1334940000
UR20-FBC-CC	2625010000
UR20-FBC-CC-TSN	2680260000
UR20-FBC-HEC61162-450	2661310000
UR20-4DI-P	1315170000
UR20-4DI-P-3W	2009360000
UR20-8DI-P-2W	1315180000
UR20-8DI-P-3W	1394400000
UR20-8DI-P-3W-HD	1315190000
UR20-16DI-P	1315200000
UR20-16DI-P-PLC-INT	1315210000
UR20-2DI-P-TS	1460140000
UR20-4DI-P-TS	1460150000
UR20-4DN	1315350000
UR20-8DI-N-3W	1315370000
UR20-16DN	1315390000
UR20-16DI-N-PLC-INT	1315400000
UR20-4DI-2W-230V-AC	1550070000
UR20-8DI-ISO-2W	2457240000
UR20-4DO-P	1315220000
UR20-4DO-P-2A	1315230000
UR20-4DO-PN-2A	1394420000
UR20-8DO-P	1315240000
UR20-8DO-P-2W-HD	1509830000
UR20-16DO-P	1315250000
UR20-16DO-P-PLC-INT	1315270000
UR20-4DO-N	1315410000
UR20-4DO-N-2A	1315420000
UR20-8DO-N	1315430000
UR20-16DO-N	1315440000
UR20-16DO-N-PLC-INT	1315450000
UR20-4DO-ISO-4A	2457250000
UR20-8DI0-P-3W-DIAG	2456530000
UR20-4RO-SSR-255	1315540000
UR20-4RO-CO-255	1315550000
UR20-2PWM-PN-0-5A	1315600000
UR20-2PWM-PN-2A	1315610000
UR20-1SM-50W-6DI2DO-P	2489830000
UR20-2AI-UJ-16	2795620000
UR20-4AI-UJ-12	1394390000
UR20-4AI-UJ-16	1315620000
UR20-2AI-UJ-16-DIAG	2566090000
UR20-4AI-UJ-16-DIAG	1315690000
UR20-4AI-UJ-ISO-16-DIAG	2566960000
UR20-4AI-UJ-16-HD	1506920000
UR20-4AI-UJ-16-DIAG-HD	1506910000
UR20-8AH-16-HD	1315650000
UR20-8AH-16-DIAG-HD	1315720000
UR20-8AH-16-PLC-INT	1315770000
UR20-4AI-UJ-DI-F-16-DIAG	1993880000
UR20-4AI-TC-DIAG	1315710000
UR20-4AI-RTD-DIAG	1315700000
UR20-4AI-RTD-HP-DIAG	2456540000
UR20-4AI-RS-16-DIAG	2001670000
UR20-4AI-HART-16-DIAG	2611750000
UR20-8AI-RTD-DIAG-2W	2559540000
UR20-2AI-SG-24-DIAG	1990070000
UR20-3EM-230V-AC	2007420000
UR20-2AO-UJ-16	2706530000
UR20-4AO-UJ-16	1315680000
UR20-4AO-UJ-16-M	2453880000
UR20-2AO-UJ-16-DIAG	2566100000
UR20-2AO-UHISO-16-DIAG	2566970000
UR20-4AO-UJ-16-DIAG	1315730000
UR20-4AO-UJ-16-M-DIAG	2453870000
UR20-4AO-UJ-16-HD	1510690000
UR20-4AO-UJ-16-DIAG-HD	1506930000
UR20-1CNT-100-1DO	1315570000
UR20-2CNT-100	1315590000
UR20-1CNT-500	1315580000
UR20-2FCNT-100	1508080000
UR20-1SSI	1508090000
UR20-1COM-232-485-422	1315750000
UR20-1COM-232-485-422-V2	2826800000
UR20-1COM-SAI-PRO	2007430000
UR20-4COM-IOLINK	1315740000
UR20-ADI-4DD-PN-FS0E-V2	2464580000
UR20-8DI-PN-FS0E-V2	2464600000
UR20-4DI-4DD-PN-FSPS-V2	2464570000
UR20-8DI-PN-FSPS-V2	2464590000
UR20-PF-0-1DI-SIL	1335030000
UR20-PF-0-2DI-SIL	1335050000
UR20-PF-0-2DI-DELAY-SIL	1335040000
UR20-PF-I	1334710000
UR20-PF-O	1334700000
UR20-16AUX-I	1334770000
UR20-16AUX-O	1334780000
UR20-16AUX-FE	1334790000
UR20-16AUX-GND-I	1334800000
UR20-16AUX-GND-O	1334810000
UR20-ES	1315770000

Note

Plug-in connector unit	Order No.
UR20-PK-2614380000-SP	2623120000
UR20-PK-2666380000-SP	2623640000
UR20-PK-2659680000-SP	2702590000
UR20-PK-1334910000-SP	1484440000
UR20-PK-2659690000-SP	2702600000
UR20-PK-2476450000-SP	2485280000
UR20-PK-2659700000-SP	2702610000
UR20-PK-1334920000-SP	1541290000
UR20-PK-1550550000-SP	2780340000
UR20-PK-2799510000-SP	2823900000
UR20-PK-1334900000-SP	2003540000
UR20-PK-1334890000-SP	2003530000
UR20-PK-1334940000-SP	2425170000
UR20-PK-2625010000-SP	2625060000
UR20-PK-2680260000-SP	2699160000
UR20-PK-2661310000-SP	2680540000
UR20-PK-1315170000-SP	1346440000
UR20-PK-2009360000-SP	2011240000
UR20-PK-1315180000-SP	1346430000
UR20-PK-1394400000-SP	1411430000
UR20-PK-1315190000-SP	1518800000
UR20-PK-1315200000-SP	1346400000
UR20-PK-1315210000-SP	1346590000
UR20-PK-1460140000-SP	1464110000
UR20-PK-1460150000-SP	1484430000
UR20-PK-1315350000-SP	1559770000
UR20-PK-1315370000-SP	1559780000
UR20-PK-1315390000-SP	1559790000
UR20-PK-1315400000-SP	1559800000
UR20-PK-1550070000-SP	1559820000
UR20-PK-2457240000-SP	2545760000
UR20-PK-1315220000-SP	1483960000
UR20-PK-1315230000-SP	1483970000
UR20-PK-1394420000-SP	1483980000
UR20-PK-1315240000-SP	1346410000
UR20-PK-1509830000-SP	1559720000
UR20-PK-1315250000-SP	1483990000
UR20-PK-1315270000-SP	1483940000
UR20-PK-1315410000-SP	1559840000
UR20-PK-1315420000-SP	1559850000
UR20-PK-1315430000-SP	1984770000
UR20-PK-1315440000-SP	2000520000
UR20-PK-1315450000-SP	2000540000
UR20-PK-2457250000-SP	2545770000
UR20-PK-2456530000-SP	2593320000
UR20-PK-1315540000-SP	1484000000
UR20-PK-1315550000-SP	1346500000
UR20-PK-1315600000-SP	1484010000
UR20-PK-1315610000-SP	1346550000
UR20-PK-12489830000-SP	2573750000
UR20-PK-2489830000-SP	2585650000
UR20-PK-2705620000-SP	2788710000
UR20-PK-1394390000-SP	1484030000
UR20-PK-1315620000-SP	1484020000
UR20-PK-2566090000-SP	2568070000
UR20-PK-1315690000-SP	1518870000
UR20-PK-2566960000-SP	2568320000
UR20-PK-1506920000-SP	1518830000
UR20-PK-1506910000-SP	1518820000
UR20-PK-1315650000-SP	1559740000
UR20-PK-1315720000-SP	1559750000
UR20-PK-1315770000-SP	1559760000
UR20-PK-1993880000-SP	2446200000
UR20-PK-1315710000-SP	1484050000
UR20-PK-1315700000-SP	1484040000
UR20-PK-2456540000-SP	2545610000
UR20-PK-2001670000-SP	2068610000
UR20-PK-2611750000-SP	2702540000
UR20-PK-2559540000-SP	2593300000
UR20-PK-1990070000-SP	2068620000
UR20-PK-2007420000-SP	2068630000
UR20-PK-2706530000-SP	2777410000
UR20-PK-1315680000-SP	1484070000
UR20-PK-2453880000-SP	2508770000
UR20-PK-2566100000-SP	2568340000
UR20-PK-2566970000-SP	2568330000
UR20-PK-1315730000-SP	1518880000
UR20-PK-2453870000-SP	2508780000
UR20-PK-1510690000-SP	1531830000
UR20-PK-1506930000-SP	1531810000
UR20-PK-1315570000-SP	1346520000
UR20-PK-1315590000-SP	1346540000
UR20-PK-1315580000-SP	1346530000
UR20-PK-1508080000-SP	1518840000
UR20-PK-1508090000-SP	1559870000
UR20-PK-1315750000-SP	2425150000
UR20-PK-2826800000-SP	2826870000
UR20-PK-2007430000-SP	2425160000
UR20-PK-1315740000-SP	2508760000
UR20-PK-2464580000-SP	2465990000
UR20-PK-2464600000-SP	2465980000
UR20-PK-2464570000-SP	2466000000
UR20-PK-2464590000-SP	2465950000
UR20-PK-1335030000-SP	1346560000
UR20-PK-1335050000-SP	1346570000
UR20-PK-1335040000-SP	1484100000
UR20-PK-1334710000-SP	1346460000
UR20-PK-1334700000-SP	1346480000
UR20-PK-1334770000-SP	1346450000
UR20-PK-1334780000-SP	1484080000
UR20-PK-1334790000-SP	1346490000
UR20-PK-1334800000-SP	1346470000
UR20-PK-1334810000-SP	1484090000
UR20-PK-1315770000-SP	1346510000

All Plug-in connector units: Qty. = 5

Electronics module	Order No.
UR20-EM-1315170000-SP	1346640000
UR20-EM-2009360000-SP	2011260000
UR20-EM-1315180000-SP	1490220000
UR20-EM-1394400000-SP	1434220000
UR20-EM-1315190000-SP	1346670000
UR20-EM-1315200000-SP	1346680000
UR20-EM-1315210000-SP	1346690000
UR20-EM-1460140000-SP	1463690000
UR20-EM-1460150000-SP	1463680000
UR20-EM-1315350000-SP	1346870000
UR20-EM-1315370000-SP	1346880000
UR20-EM-1315390000-SP	1346920000
UR20-EM-1315400000-SP	1346930000
UR20-EM-1550070000-SP	1558880000
UR20-EM-2457240000-SP	2545780000
UR20-EM-1315220000-SP	1346700000
UR20-EM-1315230000-SP	1346710000
UR20-EM-1394420000-SP	1480950000
UR20-EM-1315240000-SP	1346720000
UR20-EM-1509830000-SP	1515450000
UR20-EM-1315250000-SP	1346730000
UR20-EM-1315270000-SP	1346740000
UR20-EM-1315410000-SP	1346940000
UR20-EM-1315420000-SP	1346950000
UR20-EM-1315430000-SP	1346970000
UR20-EM-1315530000-SP	1346980000
UR20-EM-1315600000-SP	1346990000
UR20-EM-2457250000-SP	2545790000
UR20-EM-2456530000-SP	2593330000
UR20-EM-1315540000-SP	1347120000
UR20-EM-1315550000-SP	1347130000
UR20-EM-1315600000-SP	1347180000
UR20-EM-1315610000-SP	1347190000
UR20-EM-2489830000-SP	2585660000
UR20-EM-2705620000-SP	2788700000
UR20-EM-1394390000-SP	1434230000
UR20-EM-1315620000-SP	1347200000
UR20-EM-2566090000-SP	2568080000
UR20-EM-1315690000-SP	1347280000
UR20-EM-2566960000-SP	2568360000
UR20-EM-1506920000-SP	1515420000
UR20-EM-1506910000-SP	1515430000
UR20-EM-1315650000-SP	1347240000
UR20-EM-1315720000-SP	1347320000
UR20-EM-1315770000-SP	1347250000
UR20-EM-1993880000-SP	2446190000
UR20-EM-1315710000-SP	1435740000
UR20-EM-1315700000-SP	1347290000
UR20-EM-2456540000-SP	2545620000
UR20-EM-2001670000-SP	2068640000
UR20-EM-2611750000-SP	2702550000
UR20-EM-2559540000-SP	2593310000
UR20-EM-1990070000-SP	1562260000
UR20-EM-2007420000-SP	1562270000
UR20-EM-2706530000-SP	2777420000
UR20-EM-1315680000-SP	1347270000
UR20-EM-2453880000-SP	2508790000
UR20-EM-2566100000-SP	2568380000
UR20-EM-2566970000-SP	2568370000
UR20-EM-1315730000-SP	1347330000
UR20-EM-2453870000-SP	2508800000
UR20-EM-1510690000-SP	1515470000
UR20-EM-1506930000-SP	1515480000
UR20-EM-1315570000-SP	1347140000
UR20-EM-1315590000-SP	1347150000
UR20-EM-1315580000-SP	1347170000
UR20-EM-1508080000-SP	1515440000
UR20-EM-1508090000-SP	1515490000
UR20-EM-1315750000-SP	1347350000
UR20-EM-2826800000-SP	2826860000
UR20-EM-2007430000-SP	2425350000
UR20-EM-1315740000-SP	1347340000
UR20-EM-2464580000-SP	2466020000
UR20-EM-2464600000-SP	2465960000
UR20-EM-2464570000-SP	2466030000
UR20-EM-2464590000-SP	2466010000
UR20-EM-1335030000-SP	1347520000
UR20-EM-1335050000-SP	1347540000
UR20-EM-1335040000-SP	1347530000
UR20-EM-1334710000-SP	1347380000
UR20-EM-1334700000-SP	1347420000
UR20-EM-1334770000-SP	1347450000
UR20-EM-1334780000-SP	1347470000
UR20-EM-1334790000-SP	1347480000
UR20-EM-1334800000-SP	1347490000
UR20-EM-1334810000-SP	

System overview

Support for component selection

The following tables will help you to assemble your systems. The exact technical data and descriptions of the products can be found on the respective page here in the catalogue. When selecting, please note the maximum number of 64 active modules and the packaging units for the accessories.

For help in refreshing the power paths, see the calculation example at the bottom right.

1. What field bus are you using?

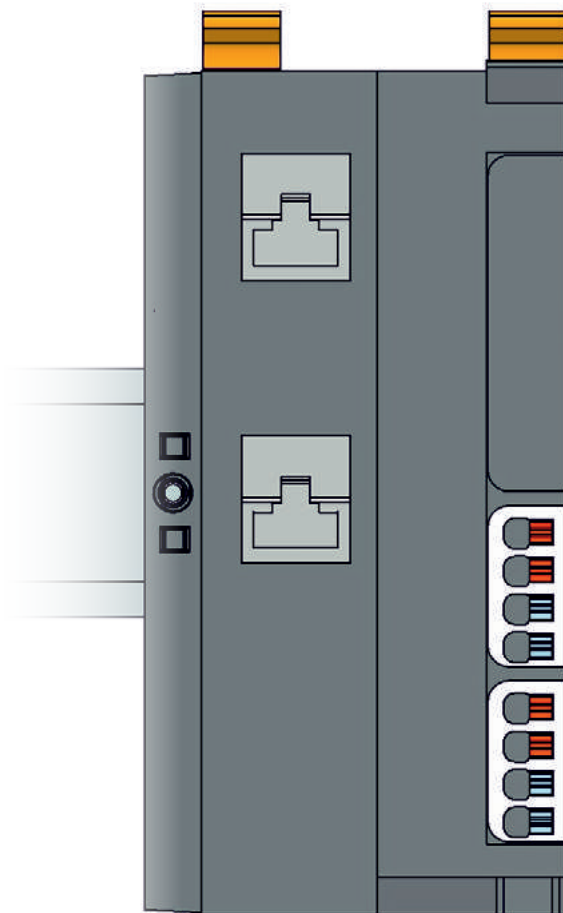
Bus	Type	Order No.	Page
PROFIBUS	UR20-FBC-PB-DP-V2	2614380000	C.5
PROFINET	UR20-FBC-PN-IRT-V2	2566380000	C.7
PROFINET	UR20-FBC-PN-ECO	2659680000	C.9
EtherCAT	UR20-FBC-EC	1334910000	C.11
EtherCAT	UR20-FBC-EC-ECO	2659690000	C.13
Modbus	UR20-FBC-MOD-TCP-V2	2476450000	C.15
Modbus	UR20-FBC-MOD-TCP-ECO	2659700000	C.17
EtherNet/IP	UR20-FBC-EIP	1334920000	C.19
EtherNet/IP	UR20-FBC-EIP-V2	1550550000	C.20
EtherNet/IP	UR20-FBC-EIP-ECO	2799510000	C.23
DeviceNet	UR20-FBC-DN	1334900000	C.25
CANopen	UR20-FBC-CAN	1334890000	C.27
POWERLINK	UR20-FBC-PL	1334940000	C.29
CC-Link V2	UR20-FBC-CC	2625010000	C.31
CC-Link IE TSN	UR20-FBC-CC-TSN	2680260000	C.33
IEC 61162-450	UR20-FBC-IEC61162-450	2661310000	C.35

2. What signals do you want to process?

Digital inputs	Order No.	Page
UR20-4DI-P	1315170000	C.37
UR20-4DI-P-3W	2009360000	C.38
UR20-8DI-P-2W	1315180000	C.39
UR20-8DI-P-3W	1394400000	C.40
UR20-8DI-P-3W-HD	1315190000	C.41
UR20-16DI-P	1315200000	C.42
UR20-16DI-P-PLC-INT	1315210000	C.43
UR20-2DI-P-TS	1460140000	C.44
UR20-4DI-P-TS	1460150000	C.45
UR20-4DI-N	1315350000	C.46
UR20-8DI-N-3W	1315370000	C.47
UR20-16DI-N	1315390000	C.48
UR20-16DI-N-PLC-INT	1315400000	C.49
UR20-4DI-2W-230V-AC	1550070000	C.51
UR20-8DHSO-2W	2457240000	C.50
Digital outputs	Order No.	Page
UR20-4DO-P	1315220000	C.53
UR20-4DO-P-2A	1315230000	C.54
UR20-4DO-PN-2A	1394420000	C.55
UR20-8DO-P	1315240000	C.56
UR20-8DO-P-2W-HD	1509830000	C.57
UR20-16DO-P	1315250000	C.58
UR20-16DO-P-PLC-INT	1315270000	C.59
UR20-4DO-N	1315410000	C.60
UR20-4DO-N-2A	1315420000	C.61
UR20-8DO-N	1315430000	C.62
UR20-16DO-N	1315440000	C.63
UR20-16DO-N-PLC-INT	1315450000	C.64
UR20-4DO-ISO-4A	2457250000	C.65
UR20-8DIO-P-3W-DIAG	2456530000	C.69
UR20-4RO-SSR-255	1315540000	C.66
UR20-4RO-CO-255	1315550000	C.67
UR20-2PWM-PN-0.5A	1315600000	C.71
UR20-2PWM-PN-2A	1315610000	C.72
UR20-1SM-50W-6DI2DO-P	2489830000	C.73

2. What signals do you want to process?

Analogue inputs	Order No.	Page
UR20-2AI-UI-16	2705620000	C.75
UR20-4AI-UI-12	1394390000	C.76
UR20-4AI-UI-16	1315620000	C.77
UR20-2AI-UI-16-DIAG	2566090000	C.78
UR20-4AI-UI-16-DIAG	1315690000	C.79
UR20-4AI-UHSO-16-DIAG	2566960000	C.80
UR20-4AI-UI-16-HD	1506920000	C.81
UR20-4AI-UI-16-DIAG-HD	1506910000	C.82
UR20-8AI-16-HD	1315650000	C.83
UR20-8AI-16-DIAG-HD	1315720000	C.84
UR20-8AI-PLC-INT	1315670000	C.85
UR20-4AI-UI-DIF-16-DIAG	1993880000	C.86
UR20-4AI-TC-DIAG	1315710000	C.92
UR20-4AI-RTD-DIAG	1315700000	C.89
UR20-4AI-RTD-HP-DIAG	2456540000	C.90
UR20-4AI-RHS-16-DIAG	2001670000	C.93
UR20-4AI-HART-16-DIAG	2617520000	C.94
UR20-8AI-RTD-DIAG-2W	2555940000	C.91
UR20-2AI-SG-24-DIAG	1990070000	C.97
UR20-3EM-230V-AC	2007420000	C.99
Analogue outputs	Order No.	Page
UR20-2AO-UI-16	2705630000	C.101
UR20-4AO-UI-16	1315680000	C.102
UR20-4AO-UI-16-M	2453880000	C.103
UR20-2AO-UI-16-DIAG	2566100000	C.104
UR20-2AO-UHSO-16-DIAG	2566970000	C.105
UR20-4AO-UI-16-DIAG	1315730000	C.106
UR20-4AO-UI-16-M-DIAG	2453870000	C.107
UR20-4AO-UI-16-HD	1510690000	C.108
UR20-4AO-UI-16-DIAG-HD	1506930000	C.109
Digital counter- and communication modules	Order No.	Page
UR20-1CNT-100-1DO	1315570000	C.111
UR20-2CNT-100	1315590000	C.112
UR20-1CNT-500	1315580000	C.113
UR20-2FCNT-100	1508080000	C.114
UR20-1SSI	1508090000	C.115
UR20-1COM-232-485-422	1315750000	C.116
UR20-1COM-232-485-422-V2	2826800000	C.117
UR20-1COM-SAI-PRO	2007430000	C.118
UR20-4COM-IO-LINK	1315740000	C.119
Further functional modules	Order No.	Page
UR20-4DI-4DO-PN-FSOE-V2	2464580000	C.121
UR20-8DI-PN-FSOE-V2	2464600000	C.122
UR20-4DI-4DO-PN-FSPS-V2	2464570000	C.123
UR20-8DI-PN-FSPS-V2	2464590000	C.124

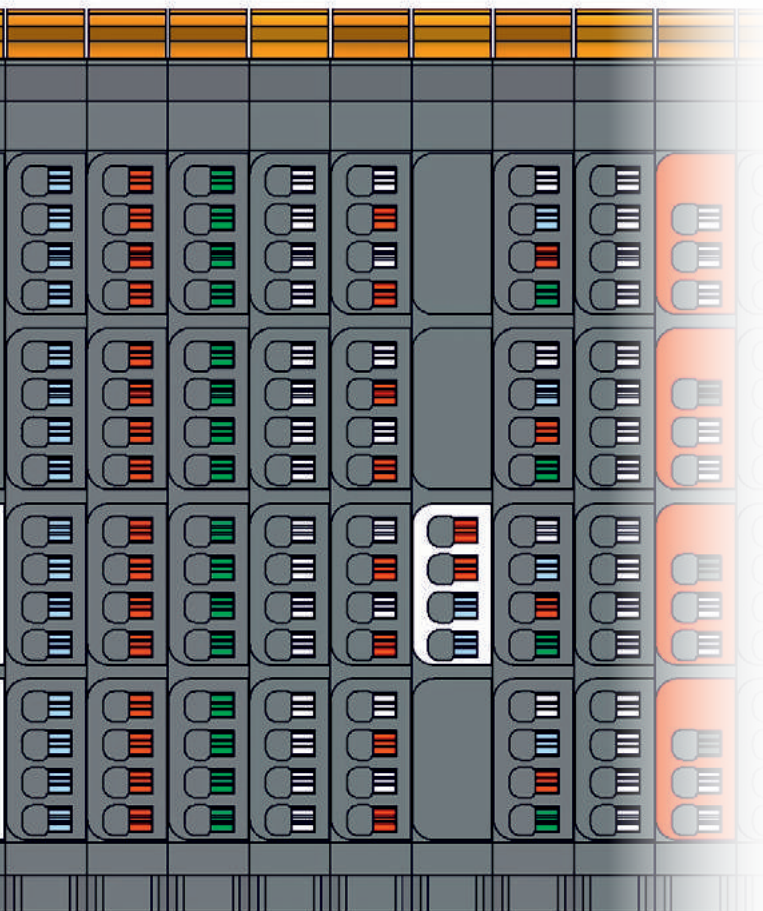


3. Do you need more than 10 A on the input or output path? Then you will need an additional supply! There is a sample calculation at the bottom of this page.

	Order No.	Page
UR20-PF-0-1DI-SIL	1335030000	C.125
UR20-PF-0-2DI-SIL	1335050000	C.126
UR20-PF-0-2DI-DELAY-SIL	1335040000	C.127
UR20-PF-I	1334710000	C.129
UR20-PF-O	1334740000	C.130

4. AUX and accessories

AUX	Order No.	Page
UR20-16AUX-I	1334770000	C.133
UR20-16AUX-O	1334780000	C.133
UR20-16AUX-FE	1334790000	C.133
UR20-16AUX-GND-I	1334800000	C.133
UR20-16AUX-GND-O	1334810000	C.133
Accessories		Page
Abschlusswinkel	1346610000	C.134
Schwenkmarkierer	1339920000	C.134
Anschlussmarkierer für Pusher Sonderdruck	1323700000	C.134
Anschlussmarkierer für Pusher Neutral	1323710000	C.134
Modulmarkierer Sonderdruck	1341610000	C.134
Modulmarkierer Neutral	1341630000	C.134
Leermodul	1315770000	C.134
Thermotransfer-Ausführung (Material: Polyester)	1429910000	C.134
Thermotransfer-Ausführung (Material: Polyester)	1429420000	C.134
Papierausführung für Laserdrucker	1429430000	C.134



Calculation of the power refresh

The additional supply calculation is different for each application. Simultaneity factors and current requirement must be known. The following simplified calculation example serves as an aid. Here, a row consists of 8 DO modules, each of which can accommodate four actuator connections. The actual current demand and therefore the position for a power-feed module for supplying the current path can be calculated from the combination of current demand and simultaneity factor. Please note that u-remote provides you with one input and one output current path. Both must be included in the additional supply calculation. The system voltage doesn't have to be taken into account.

Sample calculation

Module no.	Module type	Current requirement of connected devices (A)	Simultaneity factor	Current following calculation of simultaneity factor per module	Current requirement of system - cumulative	Current requirement of system - cumulative with UR20-PF-O
1st module	UR20-8DO-P	0.5	0.5	0.25	0.25	0.25
2nd module	UR20-8DO-P	0.3	0.5	0.15	0.4	0.4
3rd module	UR20-8DO-P	2.0	0.7	1.4	1.8	1.8
4th module	UR20-8DO-P	2.0	0.5	1	2.8	2.8
5th module	UR20-8DO-P	2.0	0.3	2	4.8	4.8
6th module	UR20-8DO-P	0.5	0.2	0.1	4.9	4.9
7th module	UR20-8DO-P	1.0	0.1	0.75	5.65	5.65
8th module	UR20-8DO-P	1.0	0.2	0.2	5.85	5.85
9th module	UR20-8DO-P	1.2	0.5	0.6	6.45	6.45
10th module	UR20-8DO-P	2.0	1.0	2	8.45	8.45
	UR20-PF-O					
11th module	UR20-8DO-P	2.0	1.0	2	10.45	2
12th module	UR20-8DO-P	3.0	1.0	1	11.45	3
13th module	UR20-8DO-P	2.0	1.0	2	13.45	5

Current requirement exceeds 10 A!
The output current path therefore needs an additional supply before the 11th module.

10 A are supplied by the UR20-PF-O module. The 1.55 A calculated as remaining after the tenth module must not be added to the 10 A after the UR20-PF-O module!

Decentralised Automation

FieldPower® housing for I/O system IP20

Automation located close to the process reduces complexity and increases reliability through shorter and standardised lines. In addition, decentralisation with predefined function modules saves time and money in planning and installation.

The wide range of functions of the remote I/O u-remote can be used decentrally in the innovative FieldPower® housing with its unique wiring concept.

C

The modular FieldPower® system offers two housing sizes for a wide variety of u-remote module configurations. Innovative hinged seals or plug-in connectors allow the usage of pre-assembled cables and ensure quick and error-free wiring directly at the point of use.

The required u-remote modules can be planned in advance on the appropriate terminal rail within the Weidmüller configurator, which significantly simplifies project planning. Further information on the use of u-remote modules in FieldPower® can be found under the QR code at the bottom.

Your special advantage:

- Easy decentralisation of your individual u-remote combination
- Robust housing with high degree of protection
- Reduced wiring time due to innovative hinged seals or plug-in connectors



I/O system IP67

u-remote

I/O system IP67 u-remote	Introduction	D.2
	u-remote IP67 - PROFINET IO-Link, Multiprotocol, Push/Pull	D.4
	SAI Active Universal Pro - Overview	D.12
	SAI Active Universal Pro	D.13
	Accessories for sensor cables	D.18
	Quick selection IP67 remote I/O modules	D.24

Remote I/O system in protection class IP67

Flexible sensor/actuator coupling to control systems in IP67 area in industrial environment

In both machine and plant construction, sensors and actuators from the entire machine have to be connected to the control unit. Depending on the machine, the size and also the count of the signals may be very large so that fieldbuses and IO systems can be used to collect the signals locally.

D

The u-remote IP67 product family solves this problem by means of IP67 protected encapsulation at the very point where the sensors and actuators are located. In the variants with a subbus system, this is done very flexibly and in a wide range of applications.

Direct incorporation in the PLC programming environment, rapid definition of causes in the event of faults and a very narrow and lightweight design are the characteristics which make this system unique on the market.

Improved Connectivity Technology

With the I-coded M12 or PushPull Power connectors the ampacity of the connectors has been increased to 16 A.

For a control of significantly more actuators and therefore more decentral remote I/Os are possible. Take advantage of the opportunities for more flexible planning in your system!



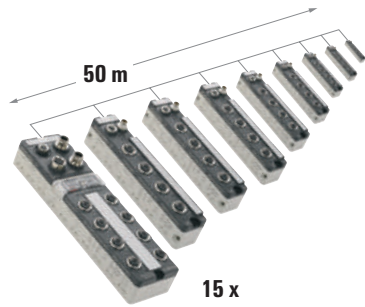
Efficient engineering

Direct incorporation and configuration in the standard PLC engineering systems with webserver.



50 % reduced costs through flexible sub-bus concept

Sub-bus length of up to 50 m with up to 15 slaves per sub-bus enables an extremely flexible setup.



Remote I/O system as complete system on the panel

An extremely wide range of sensor and actuator cables, fieldbus cables and customisable plug-in connectors round off the range.



Advanced diagnostic capabilities

A channel wise diagnosis based on two-colored LEDs will quickly and clearly shows the state of the individual channels on site!



Freedom of choice

Support for all common field bus systems.



PROFINET

Remote I/O for digital signal conditioning



UR67-PN-HP-8IOL-12-30M



UR67-PN-HP-8IOL-12-60M



Technical data

Connections
Fieldbus (BUS-IN)
Fieldbus (BUS-OUT)
Supply voltage (AUX-IN)
Supply voltage (AUX-OUT)
I/O connections
Power supply
Operating voltage
Power consumption of module electronics
Module supply
Digital inputs
IO link standard
Galvanic isolation
Input current, low
Input current, high
Status indicator
Diagnostic display
Digital outputs
max. current-carrying capacity per output signal
Output voltage, low
Output voltage, high
Status indicator
Diagnostic display
Fieldbus
Bus system
Transmission rate
Addressing
General data
Length / Width / Height
Earth
Protection degree
Operating temperature
Housing main material / UL 94 flammability rating
Note

1x M12 female 4-pole, D-coded
1x M12 female 4-pole, D-coded
1x M12 plug 5-pole, L-coded
1x M12 socket 5-pole, L-coded
8 x M12 socket 5-pole, A-coded
24 V (18 V DC ... 30 V DC)
160 mA typical
16 A
IO-Link v.1.1, IEC 61131-9
2000 V DC
Type 1 in acc. with IEC 61131-2
Type 1 in acc. with IEC 61131-2
Per channel, via LED, yellow
Per channel, via LED, red
0.5 A, 2 A
- 1 V
max. 2 V
Per channel, via LED, yellow
Per channel, via LED, red
PROFINET V2.3
10/100 MBit/s
DCP
225 mm / 30 mm / 30 mm
480 g
IP67
-20...70 °C
Zinc diecast / UL 94
Download of GSDML-files on www.weidmueller.com

1x M12 female 4-pole, D-coded
1x M12 female 4-pole, D-coded
1x M12 plug 5-pole, L-coded
1x M12 socket 5-pole, L-coded
8 x M12 socket 5-pole, A-coded
24 V (18 V DC ... 30 V DC)
160 mA typical
16 A
IO-Link v.1.1, IEC 61131-9
2000 V DC
Type 1 in acc. with IEC 61131-2
Type 1 in acc. with IEC 61131-2
Per channel, via LED, yellow
Per channel, via LED, red
0.5 A, 2 A
- 1 V
max. 2 V
Per channel, via LED, yellow
Per channel, via LED, red
PROFINET V2.3
10/100 MBit/s
DCP
200 mm / 59.6 mm / 17.6 mm
500 g
IP67
-20...70 °C
Zinc diecast / UL 94
Download of GSDML-files on www.weidmueller.com

Ordering data

Module variants	IO link, 4 x type A, 4 x type B
Note	

Type	Qty.	Order No.
UR67-PN-HP-8IOL-12-30M	1	2426250000

Type	Qty.	Order No.
UR67-PN-HP-8IOL-12-60M	1	2426260000

Accessories

M12 sensor cable
M12 sensor cable
Bus cable
Bus cable
Markers
Plug
Metal plug Ethernet, Male M12, D-coded, straight
Note

Type	Qty.	Order No.
SAIL-M12G-5-1.5U	1	9457610150
SAIL-M12W-5-1.5U	1	9457670150
IE-C5DD4UG0015MCSA20-E	1	1044470015
IE-C5DD4UG0015MCSMCS-E	1	1025950015
MF 5/10 MC NE WS	250	1954050000
SAISM-4/8S-M12-4P D-COD	1	1892120000

Further cables can be found at the end of this chapter.

Type	Qty.	Order No.
SAIL-M12G-5-1.5U	1	9457610150
SAIL-M12W-5-1.5U	1	9457670150
IE-C5DD4UG0015MCSA20-E	1	1044470015
IE-C5DD4UG0015MCSMCS-E	1	1025950015
ESG-M 8/20 MC NE WS	200	1027290000
SAISM-4/8S-M12-4P D-COD	1	1892120000

Further cables can be found at the end of this chapter.

Multiprotocol
Remote I/O for digital signal conditioning



UR67-MP-HP-16DI-12-M60



UR67-MP-HP-16DO-12-M60



Technical data

Connections
Fieldbus (BUS-IN)
Fieldbus (BUS-OUT)
Supply voltage (AUX-IN)
Supply voltage (AUX-OUT)
I/O connections
Power supply
Operating voltage
Power consumption of module electronics
Module supply
Digital inputs
Input current, low
Input current, high
Status indicator
Diagnostic display
Digital outputs
max. current-carrying capacity per output signal
Output voltage, low
Output voltage, high
Status indicator
Diagnostic display
Fieldbus
Bus system
Transmission rate
Addressing
General data
Length / Width / Height
Earth
Protection degree
Operating temperature
Housing main material / UL 94 flammability rating
Note

1x M12 female 4-pole, D-coded
1x M12 female 4-pole, D-coded
1x M12 plug 5-pole, L-coded
1x M12 socket 5-pole, L-coded
8 x M12 socket 5-pole, A-coded
24 V (18 V DC ... 30 V DC)
100 mA typical
16 A
Type 1 in acc. with IEC 61131-2
Type 1 in acc. with IEC 61131-2
Per channel, via LED, yellow
Per channel, via LED, red
PROFINET V2.3, EtherNet/IP, EtherCAT, Multiprotocol
10/100 MBit/s
Via rotary coding switch, DCP
200 mm / 59.6 mm / 17.6 mm
500 g
IP67
-20...70 °C
Zinc diecast / UL 94
Download the configuration files from www.weidmueller.com

1x M12 female 4-pole, D-coded
1x M12 female 4-pole, D-coded
1x M12 plug 5-pole, L-coded
1x M12 socket 5-pole, L-coded
8 x M12 socket 5-pole, A-coded
24 V (18 V DC ... 30 V DC)
100 mA typical
16 A
2 A
min. (UL-1)
max. 2 V
Per channel, via LED, yellow
Per channel, via LED, red
PROFINET V2.3, EtherNet/IP, EtherCAT, Multiprotocol
10/100 MBit/s
Via rotary coding switch, DCP
200 mm / 59.6 mm / 17.6 mm
500 g
IP67
-20...70 °C
Zinc diecast / UL 94
Download the configuration files from www.weidmueller.com

Ordering data

Module variants	16 digital inputs
	16 digital out
Note	

Type	Qty.	Order No.
UR67-MP-HP-16DI-12-60M	1	2426270000

Type	Qty.	Order No.
UR67-MP-HP-16DO-12-60M	1	2426280000

Accessories

M12 sensor cable
M12 sensor cable
Bus cable
Bus cable
Markers
Plug
Metal plug Ethernet, Male M12, D-coded, straight
Note

Type	Qty.	Order No.
SAIL-M12G-5-1.5U	1	9457610150
SAIL-M12W-5-1.5U	1	9457670150
IE-C5DD4UG0015MCSA20-E	1	1044470015
IE-C5DD4UG0015MCSMCS-E	1	1025950015
ESG-M 8/20 MC NE WS	200	1027290000
SAISM-4/8S-M12-4P D-COD	1	1892120000

Further cables can be found at the end of this chapter.

Type	Qty.	Order No.
SAIL-M12G-5-1.5U	1	9457610150
SAIL-M12W-5-1.5U	1	9457670150
IE-C5DD4UG0015MCSA20-E	1	1044470015
IE-C5DD4UG0015MCSMCS-E	1	1025950015
ESG-M 8/20 MC NE WS	200	1027290000
SAISM-4/8S-M12-4P D-COD	1	1892120000

Further cables can be found at the end of this chapter.

u-remote IP67 - Multiprotocol

Multiprotocol

Remote I/O for digital signal conditioning



Technical data

Connections

Fieldbus (BUS-IN)
Fieldbus (BUS-OUT)
Supply voltage (AUX-IN)
Supply voltage (AUX-OUT)
I/O connections

Power supply

Operating voltage
Power consumption of module electronics
Module supply

Digital inputs

Input current, low
Input current, high
Status indicator
Diagnostic display

Digital outputs

max. current-carrying capacity per output signal
Output voltage, low
Output voltage, high
Status indicator
Diagnostic display

Fieldbus

Bus system
Transmission rate
Addressing

General data

Length / Width / Height
Earth
Protection degree
Operating temperature
Housing main material / UL 94 flammability rating

Note

Ordering data

Module variants

8 digital inputs / 8 digital outputs
16 universal channels

Note

Accessories

M12 sensor cable
M12 sensor cable
Bus cable
Bus cable
Markers

Plug

Metal plug Ethernet, Male M12, D-coded, straight

Note

UR67-MP-HP-8DIDO-12-60M



1x M12 female 4-pole, D-coded
1x M12 female 4-pole, D-coded
1x M12 plug 5-pole, L-coded
1x M12 socket 5-pole, L-coded
8 x M12 socket 5-pole, A-coded

24 V (18 V DC ... 30 V DC)
100 mA typical
16 A

Type 1 in acc. with IEC 61131-2
Type 1 in acc. with IEC 61131-2
Per channel, via LED, yellow
Per channel, via LED, red

2 A
min. (UL -1)
max. 2 V
Per channel, via LED, yellow
Per channel, via LED, red

PROFINET V2.3, EtherNet/IP, EtherCAT, Multiprotocol
10/100 MBit/s
Via rotary coding switch, DCP

200 mm / 59.6 mm / 17.6 mm
500 g
IP67
-20...70 °C
Zinc diecast / UL 94
Download the configuration files from www.weidmueller.com

Type	Qty.	Order No.
UR67-MP-HP-8DIDO-12-60M	1	2426290000

Type	Qty.	Order No.
SAIL-M12G-5-1.5U	1	9457610150
SAIL-M12W-5-1.5U	1	9457670150
IE-C5DD4UG0015MCSA20-E	1	1044470015
IE-C5DD4UG0015MCSMCS-E	1	1025950015
ESG-M 8/20 MC NE WS	200	1027290000

SAISM-4/8S-M12-4P D-COD	1	1892120000
-------------------------	---	------------

Further cables can be found at the end of this chapter.

UR67-MP-HP-16DIO-12-60M



1x M12 female 4-pole, D-coded
1x M12 female 4-pole, D-coded
1x M12 plug 5-pole, L-coded
1x M12 socket 5-pole, L-coded
8 x M12 socket 5-pole, A-coded

24 V (18 V DC ... 30 V DC)
100 mA typical
16 A

Type 1 in acc. with IEC 61131-2
Type 1 in acc. with IEC 61131-2
Per channel, via LED, yellow
Per channel, via LED, red

2 A
min. (UL -1)
max. 2 V
Per channel, via LED, yellow
Per channel, via LED, red

PROFINET V2.3, EtherNet/IP, EtherCAT, Multiprotocol
10/100 MBit/s
Via rotary coding switch, DCP

200 mm / 59.6 mm / 17.6 mm
500 g
IP67
-20...70 °C
Zinc diecast / UL 94
Download the configuration files from www.weidmueller.com

Type	Qty.	Order No.
UR67-MP-HP-16DIO-12-60M	1	2512840000

Type	Qty.	Order No.
SAIL-M12G-5-1.5U	1	9457610150
SAIL-M12W-5-1.5U	1	9457670150
IE-C5DD4UG0015MCSA20-E	1	1044470015
IE-C5DD4UG0015MCSMCS-E	1	1025950015
ESG-M 8/20 MC NE WS	200	1027290000

SAISM-4/8S-M12-4P D-COD	1	1892120000
-------------------------	---	------------

Further cables can be found at the end of this chapter.

Multiprotocol
Remote I/O for digital signal conditioning



UR67-MP-78-16DI-12-60M



UR67-MP-78-16DO-12-60M



Technical data

Connections
Fieldbus (BUS-IN)
Fieldbus (BUS-OUT)
Supply voltage (AUX-IN)
Supply voltage (AUX-OUT)
I/O connections
Power supply
Operating voltage
Power consumption of module electronics
Module supply
Digital inputs
Input current, low
Input current, high
Status indicator
Diagnostic display
Digital outputs
max. current-carrying capacity per output signal
Output voltage, low
Output voltage, high
Max. total current outputs
Status indicator
Diagnostic display
Fieldbus
Bus system
Transmission rate
Addressing
General data
Length / Width / Height
Earth
Protection degree
Operating temperature
Housing main material / UL 94 flammability rating
Note

1x M12 female 4-pole, D-coded
1x M12 female 4-pole, D-coded
1x 7/8" plug 5-pole
1x 7/8" socket 5-pole
8 x M12 socket 5-pole, A-coded
24 V (18 V DC ... 30 V DC)
100 mA typical
9 A (12 A see manual)
Type 1 in acc. with IEC 61131-2
Type 1 in acc. with IEC 61131-2
Per channel, via LED, yellow
Per channel, via LED, red
PROFINET V2.3, EtherNet/IP, EtherCAT, Multiprotocol
10/100 MBit/s
Via rotary coding switch, DCP
206 mm / 59.6 mm / 17.3 mm
520 g
IP67
-20...70 °C
Zinc diecast / UL 94
Download the configuration files from www.weidmuller.com

1x M12 female 4-pole, D-coded
1x M12 female 4-pole, D-coded
1x 7/8" plug 5-pole
1x 7/8" socket 5-pole
8 x M12 socket 5-pole, A-coded
24 V (18 V DC ... 30 V DC)
100 mA typical
9 A (12 A see manual)
Per channel, via LED, yellow
Per channel, via LED, red
2 A
min. (UL-1)
max. 2 V
9 A (12 A see manual)
Per channel, via LED, yellow
Per channel, via LED, red
PROFINET V2.3, EtherNet/IP, EtherCAT, Multiprotocol
10/100 MBit/s
Via rotary coding switch, DCP
206 mm / 59.6 mm / 17.3 mm
520 g
IP67
-20...70 °C
Zinc diecast / UL 94
Download the configuration files from www.weidmuller.com

Ordering data

Module variants	16 digital inputs
	16 digital out
Note	

Type	Qty.	Order No.
UR67-MP-78-16DI-12-60M	1	2426300000

Type	Qty.	Order No.
UR67-MP-78-16DO-12-60M	1	2426310000

Accessories

M12 sensor cable
M12 sensor cable
Bus cable
Markers
Note

Type	Qty.	Order No.
SAIL-M12G-5-1.5U	1	9457610150
SAIL-M12W-5-1.5U	1	9457670150
IE-C5DD4UG0015MCSMCS-E	1	1025950015
ESG-M 8/20 MC NE WS	200	1027290000

Further cables can be found at the end of this chapter.

Type	Qty.	Order No.
SAIL-M12G-5-1.5U	1	9457610150
SAIL-M12W-5-1.5U	1	9457670150
IE-C5DD4UG0015MCSMCS-E	1	1025950015
ESG-M 8/20 MC NE WS	200	1027290000

Further cables can be found at the end of this chapter.

u-remote IP67 - Multiprotocol

Multiprotocol

Remote I/O for digital signal conditioning



Technical data

Connections
Fieldbus (BUS-IN)
Fieldbus (BUS-OUT)
Supply voltage (AUX-IN)
Supply voltage (AUX-OUT)
I/O connections
Power supply
Operating voltage
Power consumption of module electronics
Module supply
Digital inputs
Input current, low
Input current, high
Status indicator
Diagnostic display
Digital outputs
max. current-carrying capacity per output signal
Output voltage, low
Output voltage, high
Max. total current outputs
Status indicator
Diagnostic display
Fieldbus
Bus system
Transmission rate
Addressing
General data
Length / Width / Height
Earth
Protection degree
Operating temperature
Housing main material / UL 94 flammability rating
Note

Ordering data

Module variants
16 universal channels 8 digital inputs / 8 digital outputs
Note

Accessories

M12 sensor cable
M12 sensor cable
Bus cable
Markers
Note

UR67-MP-78-16DIO-12-60M



1x M12 female 4-pole, D-coded
1x M12 female 4-pole, D-coded
1x 7/8" plug 5-pole
1x 7/8" socket 5-pole
8 x M12 socket 5-pole, A-coded
24 V (18 V DC ... 30 V DC)
100 mA typical
9 A (12 A see manual)
Type 1 in acc. with IEC 61131-2
Type 1 in acc. with IEC 61131-2
Per channel, via LED, yellow
Per channel, via LED, red
2 A
min. (UL -1)
max. 2 V
9 A (12 A see manual)
Per channel, via LED, yellow
Per channel, via LED, red
PROFINET V2.3, EtherNet/IP, EtherCAT, Multiprotocol
10/100 MBit/s
Via rotary coding switch, DCP
206 mm / 59.6 mm / 17.3 mm
500 g
IP67
-20...70 °C
Zinc diecast / UL 94
Download the configuration files from www.weidmuller.com

Type	Qty.	Order No.
UR67-MP-78-16DIO-12-60M	1	2512830000

Type	Qty.	Order No.
SAIL-M12G-5-1.5U	1	9457610150
SAIL-M12W-5-1.5U	1	9457670150
IE-C5DD4UG0015MCSMCS-E	1	1025950015
ESG-M 8/20 MC NE WS	200	1027290000

Further cables can be found at the end of this chapter.

UR67-MP-78-8DIDO-12-60M



1x M12 female 4-pole, D-coded
1x M12 female 4-pole, D-coded
1x 7/8" plug 5-pole
1x 7/8" socket 5-pole
8 x M12 socket 5-pole, A-coded
24 V (18 V DC ... 30 V DC)
100 mA typical
9 A (12 A see manual)
Type 1 in acc. with IEC 61131-2
Type 1 in acc. with IEC 61131-2
Per channel, via LED, yellow
Per channel, via LED, red
2 A
min. (UL -1)
max. 2 V
9 A (12 A see manual)
Per channel, via LED, yellow
Per channel, via LED, red
PROFINET V2.3, EtherNet/IP, EtherCAT, Multiprotocol
10/100 MBit/s
Via rotary coding switch, DCP
206 mm / 59.6 mm / 17.3 mm
520 g
IP67
-20...70 °C
Zinc diecast / UL 94
Download the configuration files from www.weidmuller.com

Type	Qty.	Order No.
UR67-MP-78-8DIDO-12-60M	1	2426320000

Type	Qty.	Order No.
SAIL-M12G-5-1.5U	1	9457610150
SAIL-M12W-5-1.5U	1	9457670150
IE-C5DD4UG0015MCSMCS-E	1	1025950015
ESG-M 8/20 MC NE WS	200	1027290000

Further cables can be found at the end of this chapter.

Push/Pull
Remote I/O for digital signal conditioning



UR67-PN-V14-CU-8DIDO-12



UR67-PN-V14-CU-16DI-12



Technical data

Module variants	
Module variants	
Connections	
Fieldbus (BUS-IN)	
Fieldbus (BUS-OUT)	
Supply voltage (AUX-IN)	
Supply voltage (AUX-OUT)	
I/O connections	
Power supply	
Operating voltage	
Max. total current module	
Module supply	
Digital inputs	
Number	
Input type	
Input voltage, high	
Input voltage, low	
Sensor connection	
Digital outputs	
Number	
Max. total current outputs	
Switching frequency, resistive load	
Switching frequency, inductive load	
Switching frequency, lamp load	
Short-circuit proof	
Fieldbus	
Bus system	
Addressing	
Transmission rate	
General data	
Length / Width / Height	
Weight	
Protection degree	
Operating temperature	
Housing main material / UL 94 flammability rating	
Note	

Ordering data

Module variants	
	8 digital inputs / 8 digital outputs 16 digital inputs
Note	

8 digital inputs, 8 digital outputs		
V14 PushPull RJ45		
V14 PushPull RJ45		
PushPull-Power		
PushPull-Power		
8 x M12 socket 5-pole, A-coded		
24 V (18 V DC ... 30 V DC)		
150 mA		
16 A		
8		
P-switching, Type 2 in acc. with IEC 61131-2		
> 11 V		
< 5 V		
2-wire, 3-wire + FE, M12, 5 pole, A coded		
8		
2 A per channel, 16 A per module		
500 Hz		
0.2 Hz without free-wheeling diode, 500 Hz with suitable free-wheeling diode		
10 Hz		
Yes		
PROFINET V2.3		
DCP		
100 MBit/s		
225 mm / 60 mm / 43 mm		
970 g		
IP67		
-20...55 °C		
Zinc diecast / UL 94		

Type	Qty.	Order No.
UR67-PN-V14-CU-8DIDO-12	1	2599670000

16 digital inputs		
V14 PushPull RJ45		
V14 PushPull RJ45		
PushPull-Power		
PushPull-Power		
8 x M12 socket 5-pole, A-coded		
24 V (18 V DC ... 30 V DC)		
150 mA		
16 A		
16		
P-switching, Type 2 in acc. with IEC 61131-2		
> 11 V		
< 5 V		
2-wire, 3-wire + FE, M12, 5 pole, A coded		
PROFINET V2.3		
DCP		
100 MBit/s		
225 mm / 60 mm / 43 mm		
965 g		
IP67		
-20...55 °C		
Zinc diecast / UL 94		

Type	Qty.	Order No.
UR67-PN-V14-CU-16DI-12	1	2599680000

u-remote IP67 - Push/Pull

Push/Pull

Remote I/O for digital signal conditioning



UR67-PN-V14-POF-8DIDO-12



UR67-PN-V14-POF-16DI-12



Technical data

Module variants

Module variants

Connections

Fieldbus (BUS-IN)

Fieldbus (BUS-OUT)

Supply voltage (AUX-IN)

Supply voltage (AUX-OUT)

I/O connections

Power supply

Operating voltage

Max. total current module

Module supply

Digital inputs

Number

Input type

Input voltage, high

Input voltage, low

Sensor connection

Digital outputs

Number

Max. total current outputs

Switching frequency, resistive load

Switching frequency, inductive load

Switching frequency, lamp load

Short-circuit proof

Fieldbus

Bus system

Addressing

Transmission rate

General data

Length / Width / Height

Weight

Protection degree

Operating temperature

Housing main material / UL 94 flammability rating

Note

8 digital inputs, 8 digital outputs

V14 PushPull SC-RJ POF

V14 PushPull SC-RJ POF

PushPull-Power

PushPull-Power

8 x M12 socket 5-pole, A-coded

24 V (18 V DC ... 30 V DC)

150 mA

16 A

8

P-switching, Type 2 in acc. with IEC 61131-2

> 11 V

< 5 V

2-wire, 3-wire + FE, M12, 5 pole, A coded

8

2 A per channel, 16 A per module

500 Hz

0.2 Hz without free-wheeling diode, 500 Hz with suitable free-wheeling diode

10 Hz

Yes

PROFINET V2.3

DCP

100 MBit/s

225 mm / 60 mm / 51 mm

1000 g

IP67

-20...55 °C

Zinc diecast / UL 94

16 digital inputs

V14 PushPull SC-RJ POF

V14 PushPull SC-RJ POF

PushPull-Power

PushPull-Power

8 x M12 socket 5-pole, A-coded

24 V (18 V DC ... 30 V DC)

150 mA

16 A

16

P-switching, Type 2 in acc. with IEC 61131-2

> 11 V

< 5 V

2-wire, 3-wire + FE, M12, 5 pole, A coded

PROFINET V2.3

DCP

100 MBit/s

225 mm / 60 mm / 51 mm

995 g

IP67

-20...55 °C

Zinc diecast / UL 94

Ordering data

Module variants

8 digital inputs / 8 digital outputs

16 digital out

Note

Type	Qty.	Order No.
UR67-PN-V14-POF-8DIDO-12	1	2599690000

Type	Qty.	Order No.
UR67-PN-V14-POF-16DI-12	1	2599700000

SAI Active Universal Pro

Professional versions of the Remote I/O System featuring IP67 protection

The modules in the SAI Active Universal Pro systems provide additional I/O and functional modules for more versatile topologies. The extension modules come in a compact, space-saving design. They can also be mounted on the side because of the additional drilled holes in the side of the housing. Up to 15 extension modules can be connected over a distance of 50 metres using a shielded, standard M8 sensor cable and the IP20 master module UR20-1COM-SAI-PRO.

In addition to the digital input and output modules, we also offer counter unit modules, thermal modules, RTD modules and analogue modules. The digital input and output modules are also available in M8 and M12 variants. The analogue modules and functional modules are available with M12 connections. Markers are included with every SAI Active module for labelling the I/O channels and the entire device. These markers can be printed on using the PrintJet system from Weidmüller.

D



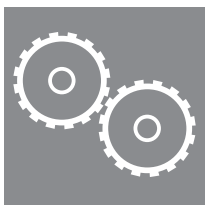
Cost-effective Subbus system

Subbus modules are wired up using conventional, shielded, standard M8 sensor cables. Thus there is no need for expensive custom cables. The extension modules enable versatile expansion and minimise the costs associated with the fieldbus interface. The modules do not, however, detract from the performance of the fieldbus system.



Simplified installation

The modules have a compact, space-saving design with additional holes drilled on the side of the housing: this allows them to be installed in a quick and versatile manner. All SAI Active modules with digital inputs or digital outputs are optionally available with standard M8 or M12 connection systems. The outputs are short-circuit-proof and protected against polarity reversal.



Efficient engineering

All Pro-System modules are described in the standardised fieldbus specific device description files. They can be integrated into any controller unit and corresponding engineering system regardless of the particular manufacturer. The configuration (whether for the input, DESINA input, or output) is carried out without any additional software. Any user can configure directly from the engineering system.

Subbus modules with digital input/outputs

Technical data

Connections	
Supply voltage (AUX-IN)	
Connection to Subbus (SUB-IN)	
Connection to Subbus (SUB-OUT)	
I/O connections	
Power supply	
Operating voltage	
Contact load	
Max. total current module	
Digital inputs	
Permitted input voltage	
Input voltage, low	
Input voltage, high	
Input current, low	
Input current, high	
Input filter	
Separation of potentials to module electronics	
Digital outputs	
max. current-carrying capacity per output signal	
Separation of potentials to module electronics	
Switching frequency, resistive load	
Switching frequency, inductive load	
Switching frequency, lamp load	
Short-circuit proof	
Output voltage, low	
Output voltage, high	
Max. total current outputs	
Fieldbus	
Bus system	
Addressing	
System integration	
General data	
Length / Width / Height	
Earth	
Protection degree	
Operating temperature	
Storage temperature	
Housing main material / UL 94 flammability rating	
Certificate	
Note	

Ordering data

Module variants	
	8 digital in; 8 digital in / 8 digital out
	8 digital inputs; 8 digital inputs / 8 digital outputs
	8 digital outputs 2A
	8 digital outputs 2A
Note	

Accessories

Miscellaneous accessories	
	Marker, transparent
	M12 protective cap
	M8 protective cap
Note	

SAI-AU Digital



1 x M8 plug 4-pole, A-coded
1 x M8 female 4-pole, A-coded
8 x M8 socket 3-pole
24 V (18 V DC ... 30 V DC)
-30 V to +30 V (protected against polarity reversal)
<5 V in accordance with EN 61131-2 Type 1
>15 V in accordance with EN 61131-2 Type 1
< 15 mA in accordance with EN 61131-2 Type 1
2 mA to 15 mA in accordance with EN 61131-2 Type 1
1 ms, 3 ms, 5 ms, 10 ms, configurable
none
Subbus
automatic
automatic
155 mm / 30 mm / 32 mm
< 200 g
IP67
0...60 °C
-25 °C...85 °C
Pocan, PBT / 5VA
CE, cULus

Type	Qty.	Order No.
SAI-AU M8 SB 8DI	1	193860000
SAI-AU M12 SB 8DI	1	193861000

Type	Qty.	Order No.
ESG 8/13.5/43.3 SAI AU	5	1912130000
SAI-SK-M12-UNI 2029	20	2330260000
SAI-SK M8	50	1802760000

Further cables can be found at the end of this chapter.

SAI-AU Digital



1 x M12 plug 5-pole, A-coded
1 x M8 plug 4-pole, A-coded
1 x M8 female 4-pole, A-coded
8 x M8 socket 3-pole
24 V (18 V DC ... 30 V DC)
Per PIN max. 4 A
8 A
-30 V to +30 V (protected against polarity reversal)
<5 V in accordance with EN 61131-2 Type 1
>15 V in accordance with EN 61131-2 Type 1
< 15 mA in accordance with EN 61131-2 Type 1
2 mA to 15 mA in accordance with EN 61131-2 Type 1
1 ms, 3 ms, 5 ms, 10 ms, configurable
none
0.5 A
none
max. 100 Hz
max. 1 Hz
max. 8 Hz
Yes, cut-off for short circuit and error message
0 V DC
Supply voltage less 0.7 V DC
4 A
Subbus
automatic
automatic
180 mm / 30 mm / 32 mm
< 200 g
IP67
0...60 °C
-25 °C...85 °C
Pocan, PBT / 5VA
CE, cULus

Type	Qty.	Order No.
SAI-AU M8 SB 8DIO	1	1938630000
SAI-AU M12 SB 8DIO	1	1938640000
SAI-AU M8 SB 8DO 2A	1	1938660000
SAI-AU M12 SB 8DO 2A	1	1938680000

Type	Qty.	Order No.
ESG 8/13.5/43.3 SAI AU	5	1912130000
SAI-SK-M12-UNI 2029	20	2330260000
SAI-SK M8	50	1802760000

Further cables can be found at the end of this chapter.

Subbus modules with analogue input/outputs

SAI-AU analogue



SAI-AU analogue



Technical data

Connections

Connection to Subbus (SUB-IN)
Connection to Subbus (SUB-OUT)
I/O connections

Power supply

Operating voltage

Analogue inputs

Measurement range
Maximum input voltage in relation to GND
Input resistance (load)
Max. input current (differential)
Short-circuit proof
Resolution / Precision

Analogue outputs

Measurement range
Output interval
Short-circuit proof
Resolution / Precision

Fieldbus

Bus system
Addressing
System integration

General data

Length / Width / Height
Earth
Protection degree
Operating temperature
Storage temperature
Housing main material / UL 94 flammability rating
Certificate

Note

1 x M8 plug 4-pole, A-coded
1 x M8 female 4-pole, A-coded
4 x M12 female, 5-pole A-coded

24 V (18 V DC ... 30 V DC)

-10 V ... +10 V, 0 V ... 10V, 0 ... 20 mA, 4...20 mA
5 ms to 250 ms (can be configured)
Yes
12-bit / < 0.2 %

Subbus
automatic
automatic

155 mm / 30 mm / 32 mm
< 200 g
IP67
0...60 °C
-25 °C...85 °C
Pocan, PBT / 5VA
CE, cULus

1 x M8 plug 4-pole, A-coded
1 x M8 female 4-pole, A-coded
4 x M12 female, 5-pole A-coded

24 V (18 V DC ... 30 V DC)

-10 V ... +10 V, 0 V ... 10V, 0 ... 20 mA, 4...20 mA
35 V
<125 Ohm
-50 mA to +50 mA (protected against polarity reversal)
Yes
12-bit / < 0.2 %

Subbus
automatic
automatic

155 mm / 30 mm / 32 mm
< 200 g
IP67
0...60 °C
-25 °C...85 °C
Pocan, PBT / 5VA
CE, cULus

Ordering data

Module variants

4 analogue outputs / 4 analogue inputs

Note

Type	Qty.	Order No.
SAI-AU M12 SB 4A0	1	1938700000

Type	Qty.	Order No.
SAI-AU M12 SB 4AI	1	1938690000

Accessories

Miscellaneous accessories

Marker, transparent
M12 protective cap
M8 protective cap

Note

Type	Qty.	Order No.
ESG 8/13.5/43.3 SAI AU	5	1912130000
SAI-SK-M12-UNI 2029	20	2330260000
SAI-SK M8	50	1802760000

Further cables can be found at the end of this chapter.

Type	Qty.	Order No.
ESG 8/13.5/43.3 SAI AU	5	1912130000
SAI-SK-M12-UNI 2029	20	2330260000
SAI-SK M8	50	1802760000

Further cables can be found at the end of this chapter.

Subbus modules with functional inputs

SAI-AU Counter



Technical data

Connections	
Supply voltage (AUX-IN)	
Connection to Subbus (SUB-IN)	
Connection to Subbus (SUB-OUT)	
I/O connections	
Power supply	
Operating voltage	
Contact load	
Max. total current module	
Functional inputs	
Counting breadth	
Switching frequency	
Number of inputs	
Fieldbus	
Bus system	
Addressing	
System integration	
General data	
Length / Width / Height	
Earth	
Protection degree	
Operating temperature	
Storage temperature	
Housing main material / UL 94 flammability rating	
Certificate	
Note	

1 x M12 plug 5-pole, A-coded
1 x M8 plug 4-pole, A-coded
1 x M8 female 4-pole, A-coded
4 x M12 female, 5-pole A-coded
24 V (18 V DC ... 30 V DC)
Per PIN max. 4 A
8 A
32 Bit
100 kHz
2x release, 2x counter, 2 x count directions
Subbus
automatic
automatic
180 mm / 30 mm / 32 mm
< 200 g
IP67
0...60 °C
-25 °C...85 °C
Pocan, PBT / 5VA
CE, cULus

Ordering data

Module variants	
	2 counter inputs / 2 gate outputs
Note	

Type	Qty.	Order No.
SAI-AU M12 SB 2COUNTER	1	1938730000

Accessories

Miscellaneous accessories	
Marker, transparent	
M12 protective cap	
M8 protective cap	
Note	

Type	Qty.	Order No.
ESG 8/13.5/43.3 SAI AU	5	1912130000
SAI-SK-M12-UNI 2029	20	2330260000
SAI-SK M8	50	1802760000

Further cables can be found at the end of this chapter.

Subbus modules with functional inputs

SAI-AU Thermo



Technical data

Connections
Connection to Subbus (SUB-IN)
Connection to Subbus (SUB-OUT)
I/O connections
Power supply
Operating voltage
Functional inputs
Sensor
Temperature range
Resolution
Conversion time
Measurement error
Input filter
cold junction compensation
Fieldbus
Bus system
Addressing
System integration
General data
Length / Width / Height
Earth
Protection degree
Operating temperature
Storage temperature
Housing main material / UL 94 flammability rating
Certificate
Note

1 x M8 plug 4-pole, A-coded
1 x M8 female 4-pole, A-coded
4 x M12 female, 5-pole A-coded
24 V (18 V DC ... 30 V DC)
Types J, K, L, B, E, N, R, S, T, U: mV readings
Typical for sensor, Preset Type K, -100 °C ... 1370 °C
0.1 °C per digit
250 ms (can be configured to 70 ms)
< ± 0.5% (of measuring range limit)
configurable
External PT1000 connection on pins 1 and 3 (GND)
Subbus
automatic
automatic
155 mm / 30 mm / 32 mm
< 200 g
IP67
0...60 °C
-25 °C...85 °C
Pocan, PBT / 5VA
CE, cULus

Ordering data

Module variants	4 thermal inputs
Note	

Type	Qty.	Order No.
SAI-AU M12 SB 4THERMO	1	1938720000

Accessories

Miscellaneous accessories	Marker, transparent
	M12 protective cap
	M8 protective cap
Note	

Type	Qty.	Order No.
ESG 8/13.5/43.3 SAI AU	5	1912130000
SAI-SK-M12-UNI 2029	20	2330260000
SAI-SK M8	50	1802760000

Further cables can be found at the end of this chapter.

Subbus modules with functional inputs

SAI-AU PT100



Technical data

Connections	
Connection to Subbus (SUB-IN)	1 x M8 plug 4-pole, A-coded
Connection to Subbus (SUB-OUT)	1 x M8 female 4-pole, A-coded
I/O connections	4 x M12 female, 5-pole A-coded
Power supply	
Operating voltage	24 V (18 V DC ... 30 V DC)
Functional inputs	
Sensor	N100, N1000, N120, PT100, PT1000, PT200, PT300, PT500, Potentiometer connection, Resistance measurement
Resolution	0.1 °C per digit
Conversion time	250 ms (can be configured to 65 ms)
Measurement error	< ± 1 °C
Input filter	configurable
Measurement range for PT sensors	-200 °C ... + 850 °C
Measurement range for Ni sensors	-60 °C ... +250 °C
Resistance measurement	max. 4000 Ohm
Potentiometer	100 to 4000 Ω (three-wire connection)
Measurement current	Typically 0.5 mA
Fieldbus	
Bus system	Subbus
Addressing	automatic
System integration	automatic
General data	
Length / Width / Height	155 mm / 30 mm / 32 mm
Earth	< 200 g
Protection degree	IP67
Operating temperature	0...60 °C
Storage temperature	-25 °C...85 °C
Housing main material / UL 94 flammability rating	Pocan, PBT / 5VA
Certificate	CE, cULus
Note	

Ordering data

Module variants	Type	Qty.	Order No.
4 PT100 inputs	SAI-AU M12 SB 4PT100	1	1938710000
Note			

Accessories

Miscellaneous accessories	Type	Qty.	Order No.
Marker, transparent	ESG 8/13.5/43.3 SAI AU	5	1912130000
M12 protective cap	SAI-SK-M12-UNI 2029	20	2330260000
M8 protective cap	SAI-SK M8	50	1802760000
Note	Further cables can be found at the end of this chapter.		

SAI cable

In an increasingly digital environment, the reliable transmission of power, signals and data requires the rapid availability of standardised cabling solutions and the development of individual special cables.

Irrespective of whether you require signal cables for sensor lines or data cables for Ethernet lines with different mating profiles – Weidmüller offers the right solution for every field of application.

We offer a wide range of products in this category:

- Standard cables from the catalogue
- Configuration of specialised variants using the online product wizard
- Customer-specific variants with custom cable lengths, connecting plugs, markings or colours



Sensor cables from Weidmüller: shown here with yellow and black cables, together with bus cables

Connecting cables

u-remote plug / M12
u-remote plug / M8

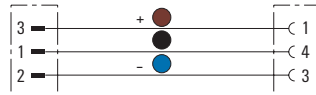
PUR halogen-free



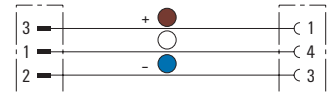
PVC



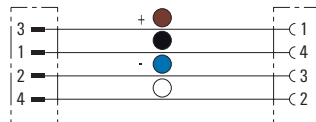
3-pin / NO contact



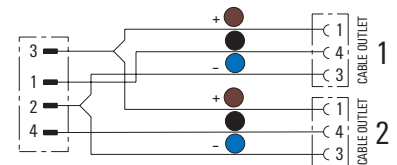
NC contact



4-pin



Twin / NO contact



Technical data

Rated current
Rated voltage
Temperature range of housing
Core cross-section
Protection degree
Contact surface
Sheath material
Insulation
Note

4 A
250 V
-40 ... +85 °C
0.34 mm ²
IP67, IP68
Gold-plated
PUR
TPM

4 A
250 V
-40 ... +85 °C
0.34 mm ²
IP67, IP68
Gold-plated
PVC

Ordering data

Module variants
NOC/plug u-remote Socket, straight M12
NOC/plug u-remote Socket, angled M12
NCC/plug u-remote - Socket, straight M12
NCC/plug u-remote - Socket, angled M12
4 pole/plug u-remote - Socket, straight M12
4 pole/plug u-remote - Socket, angled M12
3 pole/plug u-remote - Socket, straight M8
3 pole/plug u-remote - Socket, angled M8
4 pole/plug u-remote - Socket, angled M12 - LED
3 pole/plug u-remote - Socket, angled M8 - LED
Double/NOC/plug u-remote - Socket, straight M12
Double/NOC/plug u-remote - Socket, angled M12
Double/3 pole/plug u-remote - Socket, straight M8
Double/3 pole/plug u-remote - Socket, angled M8
Note

Type	Qty.	Order No.
SAIL-URPM12G-C-1.5U	1	1475070150
SAIL-URPM12W-C-1.5U	1	1475080150
SAIL-URPM12G-O-1.5U	1	1475090150
SAIL-URPM12W-O-1.5U	1	1475120150
SAIL-URPM12G-4-1.5U	1	1475130150
SAIL-URPM12W-4-1.5U	1	1475140150
SAIL-URPM8G-3-1.5U	1	1475160150
SAIL-URPM8W-3-1.5U	1	1475170150
SAIL-URPM12W-2L-1.5U	1	1475450150
SAIL-URPM8W-2L-1.5U	1	1475470150
SAIL-URZM12G-C-1.5U	1	1475030150
SAIL-URZM12W-C-1.5U	1	1475040150
SAIL-URZM8G-3-1.5U	1	1475050150
SAIL-URZM8W-3-1.5U	1	1475060150

Type	Qty.	Order No.
SAIL-URPM12G-C-1.5V	1	1475280150
SAIL-URPM12W-C-1.5V	1	1475290150
SAIL-URPM12G-O-1.5V	1	1475300150
SAIL-URPM12W-O-1.5V	1	1475310150
SAIL-URPM12G-4-1.5V	1	1475320150
SAIL-URPM12W-4-1.5V	1	1475330150
SAIL-URPM8G-C-1.5V	1	1475340150
SAIL-URPM8W-C-1.5V	1	1475350150
SAIL-URPM12W-2L-1.5V	1	1475500150
SAIL-URPM8W-2L-1.5V	1	1475510150

Accessories

Tools
Tool set with torque function
Note

Type	Qty.	Order No.
SCREWTY SET-DM	1	1920000000

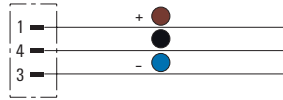
Type	Qty.	Order No.
SCREWTY SET-DM	1	1920000000

Accessories for sensor cables

M12 cables with connector at one end only

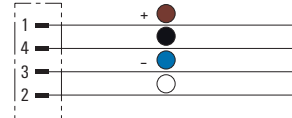
3-pole

Female



4-pole

Female



Technical data

Rated current
Rated voltage
Temperature range of housing
Core cross-section
Protection degree
Contact surface
Sheath material
Insulation

Note

4 A
250 V
-40 ... +85 °C
0.34 mm ²
IP65, IP66, IP67, IP68, IP69, when screwed in
Gold-plated
PVC
PVC

Further technical data of the cables on catalog.weidmueller.com and in Chapter W (Technical Annex)

4 A
250 V
-40 ... +85 °C
0.34 mm ²
IP65, IP66, IP67, IP68, IP69, when screwed in
Gold-plated
PVC
PVC

Further technical data of the cables on catalog.weidmueller.com and in Chapter W (Technical Annex)

Ordering data

Female, straight

M12 straight socket, PVC
M12 straight socket, halogen-free PUR
M12 straight socket, halogen-free PUR, yellow
M12 straight socket, halogen-free PUR, resistant to welding beads

Female, angled

M12 angled socket, PVC
M12 angled socket, halogen-free PUR
M12 angled socket, halogen-free PUR, yellow
M12 angled socket, halogen-free PUR, resistant to welding beads

Note

Type	Qty.	Order No.
SAIL-M12BG-3-1.5V	1	1925570150
SAIL-M12BG-3-1.5U	1	9457820150
SAIL-M12BG-3-1.5UGE	1	1092910150
SAIL-M12BG-3-1.5T	1	1968590150

Other lengths on request

Type	Qty.	Order No.
SAIL-M12BG-4-1.5T	1	1968580150
SAIL-M12BG-4-1.5U	1	9457730150
SAIL-M12BG-4-1.5UGE	1	1092920150
SAIL-M12BG-4-1.5V	1	1925580150
SAIL-M12BW-4-1.5V	1	1925640150
SAIL-M12BW-4-1.5U	1	9457740150
SAIL-M12BW-4-1.5UGE	1	1092960150
SAIL-M12BW-4-1.5T	1	1968570150

Other lengths on request

Accessories

Tools

Cutting tool
Sheathing strippers, For UTP and STP data cables
Mounting tool

Marking tags

Transparent sleeves
Insertion label, yellow, 18 mm

Note

Type	Qty.	Order No.
KT 8	1	9002650000
AM 12	1	9030060000
SCREWTY-M12-DM	1	1900001000
SAI-SCREWTY BOX	1	1939180000
STRIPPER 6-16 RED-LINE	1	9203110000

TM-I 18 MC NE WS	320	1718431044
TM-I 18 MC NE GE	320	1718431687

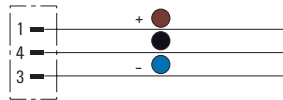
Type	Qty.	Order No.
KT 8	1	9002650000
AM 12	1	9030060000
SCREWTY-M12-DM	1	1900001000
SAI-SCREWTY BOX	1	1939180000
STRIPPER 6-16 RED-LINE	1	9203110000

TM-I 18 MC NE WS	320	1718431044
TM-I 18 MC NE GE	320	1718431687

M8 cables with connector at one end only

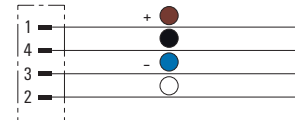
3-pole

Female



4-pole

Female



Technical data

Rated current
Rated voltage
Temperature range of housing
Core cross-section
Protection degree
Contact surface
Sheath material
Insulation
Note

4 A
60 V
-40 ... +85 °C
0.25 mm ²
IP65, IP66, IP67, IP68, IP69, when screwed in
Gold-plated
PVC
PVC
Further technical data of the cables on catalog.weidmueller.com and in Chapter W (Technical Annex)

4 A
30 V
-40 ... +85 °C
0.25 mm ²
IP65, IP66, IP67, IP68, IP69, when screwed in
Gold-plated
PVC
PVC
Further technical data of the cables on catalog.weidmueller.com and in Chapter W (Technical Annex)

Ordering data

Female, straight
M8 straight socket, PVC
M8 straight socket, halogen-free PUR
M8 straight socket, halogen-free PUR, yellow
Female, angled
M8 angled socket, PVC
M8 angled socket, halogen-free PUR
M8 angled socket, halogen-free PUR, yellow
Note

Type	Qty.	Order No.
SAIL-M8BG-3-1.5V	1	1927240150
SAIL-M8BG-3-1.5U	1	9457450150
SAIL-M8BG-3-1.5UGE	1	1093190150
SAIL-M8BW-3-1.5V	1	1927320150
SAIL-M8BW-3-1.5U	1	9457380150
SAIL-M8BW-3-1.5UGE	1	1093220150
Other lengths on request		

Type	Qty.	Order No.
SAIL-M8BG-4-1.5V	1	1927260150
SAIL-M8BG-4-1.5U	1	9457850150
SAIL-M8BG-4-1.5UGE	1	1093200150
SAIL-M8BW-4-1.5V	1	1927340150
SAIL-M8BW-4-1.5U	1	9456150150
SAIL-M8BW-4-1.5UGE	1	1093240150
Other lengths on request		

Accessories

Tools
Cutting tool
Sheathing strippers, For UTP and STP data cables
Mounting tool
Marking tags
Transparent sleeves
Insertion label, yellow, 18 mm
Note

Type	Qty.	Order No.
KT 8	1	9002650000
AM 12	1	9030060000
SCREWTY-M12-DM	1	1900001000
SAI-SCREWTY BOX	1	1939180000
STRIPPER 6-16 RED-LINE	1	9203110000
TM-I 18 MC NE WS	320	1718431044
TM-I 18 MC NE GE	320	1718431687

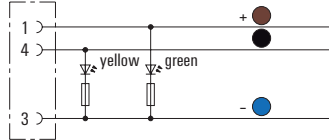
Type	Qty.	Order No.
KT 8	1	9002650000
AM 12	1	9030060000
SCREWTY-M12-DM	1	1900001000
SAI-SCREWTY BOX	1	1939180000
STRIPPER 6-16 RED-LINE	1	9203110000
TM-I 18 MC NE WS	320	1718431044
TM-I 18 MC NE GE	320	1718431687

Accessories for sensor cables

M12 / M8 cables with connector at one end only with LED

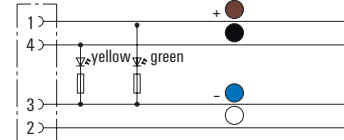
3-pole / 2 LEDs

Female



4-pole / 2 LEDs

Female



Technical data

Rated current
Rated voltage
Temperature range of housing
Core cross-section
Protection degree
Contact surface
Sheath material
Insulation

Note

4 A
24 V
-40 ... +85 °C
0.34 mm ²
IP65, IP66, IP67, IP68, when screwed in
Gold-plated
PVC
PVC

Further technical data of the cables on catalog.weidmueller.com and in Chapter W (Technical Annex)

4 A
24 V
-40 ... +85 °C
0.34 mm ²
IP65, IP66, IP67, IP68, when screwed in
Gold-plated
PVC
PVC

Further technical data of the cables on catalog.weidmueller.com and in Chapter W (Technical Annex)

Ordering data

Female, angled

M12 angled socket, PVC
M12 angled socket, halogen-free PUR
M12 angled socket, halogen-free PUR, yellow
M12 angled socket, halogen-free PUR, resistant to welding beads
M8 angled socket, PVC
M8 angled socket, halogen-free PUR
M8 angled socket, halogen-free PUR, yellow

Note

Type	Qty.	Order No.
SAIL-M12BW-3L1.5V	1	1925460150
SAIL-M12BW-3L1.5U	1	9457800150
SAIL-M12BW-3L1.5UGE	1	1114880150
SAIL-M12BW-3L1.5T	1	1004330150
SAIL-M8BW-3L1.5V	1	1927350150
SAIL-M8BW-3L1.5U	1	9457460150
SAIL-M8BW-3L1.5UGE	1	1093210150

Other lengths on request

Type	Qty.	Order No.
SAIL-M12BW-4-2L1.5V	1	1925470150
SAIL-M12BW-4-2L1.5U	1	9456380150
SAIL-M12BW-4-2L1.5UGE	1	1092950150
SAIL-M12BW-4-2L1.5T	1	1007000150
SAIL-M8BW-4L1.5V	1	1927360150
SAIL-M8BW-4L1.5U	1	1906400150
SAIL-M8BW-4L1.5UGE	1	1093230150

Other lengths on request

Accessories

Tools

Cutting tool
Sheathing strippers, For UTP and STP data cables
Mounting tool

Marking tags

Transparent sleeves
Insertion label, yellow, 18 mm

Note

Type	Qty.	Order No.
KT 8	1	9002650000
AM 12	1	9030060000
SCREWTY-M12-DM	1	1900001000
SAI-SCREWTY BOX	1	1939180000
STRIPPER 6-16 RED-LINE	1	9203110000

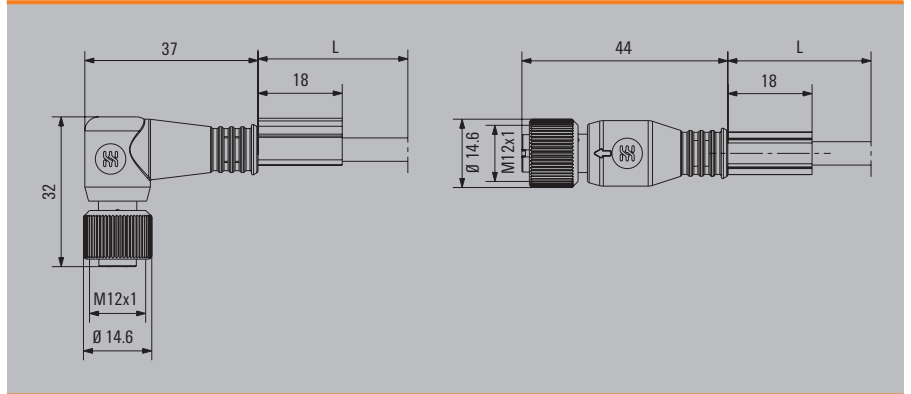
TM-I 18 MC NE WS	320	1718431044
TM-I 18 MC NE GE	320	1718431687

Type	Qty.	Order No.
KT 8	1	9002650000
AM 12	1	9030060000
SCREWTY-M12-DM	1	1900001000
SAI-SCREWTY BOX	1	1939180000
STRIPPER 6-16 RED-LINE	1	9203110000

TM-I 18 MC NE WS	320	1718431044
TM-I 18 MC NE GE	320	1718431687

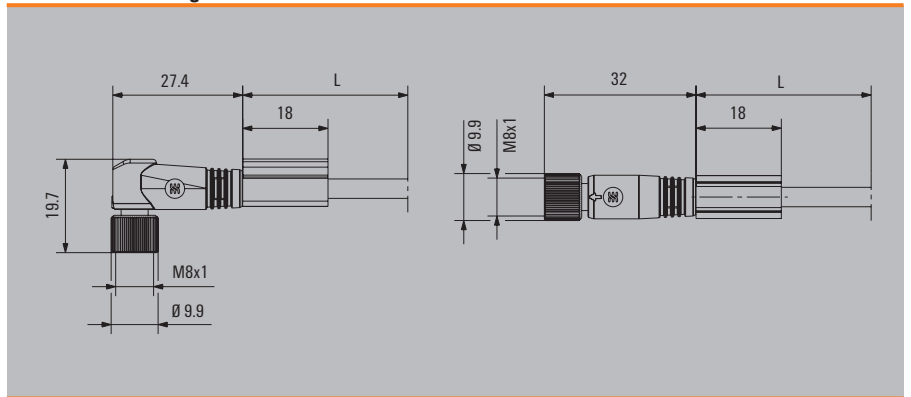
M12 straight/angled socket

Dimensioned drawing



M8 straight/angled socket

Dimensioned drawing



Screwty® set-DM

Contents:

- 1x interchangeable bit
- 1x torque handle
- 1x adjustment aid for Screwty® torque (M8: 0.5 - 0.6 Nm / M12: 0.8 - 1.2 Nm)
- 1x Screwty® M12, M8, M12 F, M8 F attachment

Ordering data

Type	Qty.	Order No.
Screwty®-Set-DM	1	1920000000



Selection table

Order No.	Product designation	Connection system				Communication			
		M8	M12	7/8"	PushPull	Subbus	PROFIBUS	PROFINET	MP = PN, EIP & EC
u-remote UR67									
2426250000	UR67-PN-HP-8IOL-12-30M		X					X	
2426260000	UR67-PN-HP-8IOL-12-60M		X					X	
2426270000	UR67-MP-HP-16DI-12-60M		X						X
2426280000	UR67-MP-HP-16DO-12-60M		X						X
2512840000	UR67-MP-HP-16DIO-12-60M		X						X
2426290000	UR67-MP-HP-8DIDO-12-60M		X						X
2426320000	UR67-MP-78-8DIDO-12-60M			X					X
2426300000	UR67-MP-78-16DI-12-60M			X					X
2426310000	UR67-MP-78-16DO-12-60M			X					X
2512830000	UR67-MP-78-16DIO-12-60M			X					X
2599670000	UR67-PN-V14-CU-8DIDO-12				X			X	
2599680000	UR67-PN-V14-CU-16DI-12				X			X	
2599690000	UR67-PN-V14-PDF-8DIDO-12				X			X	
2599700000	UR67-PN-V14-PDF-16DI-12				X			X	
SAI Active Universal Pro									
1938600000	SAI-AU M8 SB 8DI	X				X			
1938660000	SAI-AU M8 SB 8DO 2A	X				X			
1938630000	SAI-AU M8 SB 8DIO	X				X			
1938610000	SAI-AU M12 SB 8DI		X			X			
1938680000	SAI-AU M12 SB 8DO 2A		X			X			
1938640000	SAI-AU M12 SB 8DIO		X			X			
1938690000	SAI-AU M12 SB 4AI		X			X			
1938700000	SAI-AU M12 SB 4AO		X			X			
1938730000	SAI-AU M12 SB 2Counter		X			X			
1938720000	SAI-AU M12 SB 4Thermo		X			X			
1938710000	SAI-AU M12 SB 4PT100		X			X			

	Inputs						Outputs				Supply voltage feed circuits	Page
	IO-Link	Digital	Analogue	Counter	TC	RTD	Digital	Output current	Analogue	Output range		
	4xType A & 4xType B											D.4
	4xType A & 4xType B											D.4
		16										D.5
		16					16	2 A				D.5
		16					16	2 A				D.6
		8					8	2 A				D.6
		8					8	2 A				D.8
		16										D.8
							16	2 A				D.7
		16					16	2 A				D.7
		8					8	2 A				D.9
		16										D.9
		8					8	2 A				D.10
		16										D.10
		8										D.13
							8	2 A			2	D.13
		max. 8, min. 0 (can be configured)					max. 8, min. 0 (can be configured)	0.5 A			2	D.13
		8										D.13
							8	2 A			2	D.13
		max. 8, min. 0 (can be configured)					max. 8, min. 0 (can be configured)	0.5 A			2	D.13
			4							4		D.14
												D.14
				2								D.15
					4							D.16
						4						D.17

Web Panels

u-view

Web Panels
u-view

Overview	E.2
Eco Line	E.4
Basic Line	E.6
Advanced Line	E.7

Optimum visualisation and operation

u-view web panels: brilliant pictures meet elegant, flat design

Comfortable web panels simplify the monitoring and control of machines and systems. u-view web panels from Weidmüller offer excellent image quality and can be used in an industrial environment without any restrictions.

The u-view series comprises three product lines:

- ECO (resistive web panels) in 4.3", 7" and 10.1"
- BASIC (resistive web panels) in 7" and 10.1"
- ADVANCED (capacitive web panels) in 7", 10.1" and 15.6"

All panels offer convenient configuration options for accessing different web servers via modern browsers. This makes them ideally suitable for future-oriented web applications, especially for web-based visualisation solutions with u-create PROCON-WEB.

u-view web panels feature a particularly flat design, a robust housing and IP66 protection on the front.



E



Comfortable configuration

u-view web panels are quick and easy to configure and can therefore be set up intuitively.

Attractive design

All u-view web panels come with particularly flat and space-saving housings.

Optimized for u-create PROCON-WEB and other web technologies



High compatibility

u-view web panels can be used in a wide variety of applications thanks to their modern web technology based on HTML5.

Intuitive touch-technology

Great performance

First-class image quality and powerful processors make working with u-view web panels particularly enjoyable.

Eco Line

Web Panels - Eco Line

- Resistive
- 4.3", 7" and 10.1"
- 4 GB memory
- Display material plastic

Technical data

General data	
Protection degree	
Operating temperature	
Humidity	
Depth / Width / Height	
Cut-Out dimension (Height)	
Cut-Out dimension (Width)	
Wall thickness, min./max.	
Installation clearance (X)	
Installation clearance (Y)	
Installation clearance (Z)	
Hardware specification	
Processor	
Memory (Flash)	
Memory (RAM)	
Type of cooling	
Firmware specification	
Operating system	
Display specification	
Size	
Resolution	
Material display	
Touch-Screen	
Number of displayable colours	
Luminance	
Luminance dimmable	
Viewing angle horizontal	
Viewing angle vertical	
Display technology	
Housing specification	
Material frame	
Interfaces	
Interfaces behind	
Power supply	
Voltage type	
Voltage, min.	
Voltage, max.	
Current consumption	
Note	

Ordering data

Type	Qty.	Order No.
UV66-ECO-4-RES-W	1	2555660000

Note

UV66-ECO-4-RES-W



General data	
IP66	
0 °C ... +50 °C	
10 - 95% relative humidity, non-condensing	
36 / 120 / 89 mm	
80 mm	
111 mm	
2...6 mm	
51 mm	
51 mm	
51 mm	
Hardware specification	
ARM Cortex A9 800 MHz i.MX6 Solo	
4 GB	
512 MB	
Passive cooling	
Firmware specification	
Linux + Browser (HTML5)	
Display specification	
4.3"	
480 x 272	
Plastic	
resistive	
16 M	
400 cd/m ²	
Yes	
top 60 ° / bottom 60 °	
left 55 ° / right 55 °	
LCD TFT, LED backlight	
Housing specification	
Plastic	
Interfaces	
1x Ethernet 10/100 MBit/s (RJ45), 1x micro USB 2.0 (Type B)	
Power supply	
DC	
20.4V	
27.6V	
0.23 A	
Note	

Type	Qty.	Order No.
UV66-ECO-4-RES-W	1	2555660000

UV66-ECO-7-RES-W



General data	
IP66	
0 °C ... +50 °C	
10 - 95% relative humidity, non-condensing	
35.3 / 186 / 138 mm	
127 mm	
175 mm	
2...6 mm	
51 mm	
51 mm	
51 mm	
Hardware specification	
ARM Cortex A9 800 MHz i.MX6 Solo	
4 GB	
512 MB	
Passive cooling	
Firmware specification	
Linux + Browser (HTML5)	
Display specification	
7"	
800 x 480	
Plastic	
resistive	
16 M	
350 cd/m ²	
Yes	
top 70 ° / bottom 70 °	
left 60 ° / right 60 °	
LCD TFT, LED backlight	
Housing specification	
Plastic	
Interfaces	
1x Ethernet 10/100 MBit/s (RJ45), 1x micro USB 2.0 (Type B)	
Power supply	
DC	
20.4V	
27.6V	
0.25 A	
Note	

Type	Qty.	Order No.
UV66-ECO-7-RES-W	1	2555780000

Web Panels - Eco Line

- Resistive
- 4.3", 7" and 10.1"
- 4 GB memory
- Display material plastic

UV66-ECO-10-RES-W



Technical data

General data

Protection degree
 Operating temperature
 Humidity
 Depth / Width / Height
 Cut-Out dimension (Height)
 Cut-Out dimension (Width)
 Wall thickness, min./max.
 Installation clearance (X)
 Installation clearance (Y)
 Installation clearance (Z)

IP66
 0 °C ... +50 °C
 10 - 95% relative humidity, non-condensing
 36.8 / 268 / 190 mm
 178 mm
 256 mm
 2...6 mm
 51 mm
 51 mm
 51 mm

Hardware specification

Processor
 Memory (Flash)
 Memory (RAM)
 Type of cooling

ARM Cortex A9 800 MHz i.MX6 Solo
 4 GB
 512 MB
 Passive cooling

Firmware specification

Operating system

Linux + Browser (HTML5)

Display specification

Size
 Resolution
 Material display
 Touch-Screen
 Number of displayable colours
 Luminance
 Luminance dimmable
 Viewing angle horizontal
 Viewing angle vertical
 Display technology

10.1"
 1024 x 600
 Plastic
 resistive
 16 M
 400 cd/m²
 Yes
 top 60 ° / bottom 60 °
 left 70 ° / right 70 °
 LCD TFT, LED backlight

Housing specification

Material frame

Plastic

Interfaces

Interfaces behind

1x Ethernet 10/100 MBit/s (RJ45), 1x micro USB 2.0 (Type B)

Power supply

Voltage type
 Voltage, min.
 Voltage, max.
 Current consumption

DC
 20.4V
 27.6V
 0.35 A

Note

Ordering data

Note

Type	Qty.	Order No.
UV66-ECO-10-RES-W	1	2555790000

Basic Line

Web Panels - Basic Line

- Resistive
- 7" and 10.1"
- 8 GB memory
- Display material plastic

Technical data

General data	
Protection degree	IP66
Operating temperature	0 °C ... +50 °C
Humidity	80 % relative humidity (without condensation)
Depth / Width / Height	40 / 204 / 147.6 mm
Cut-Out dimension (Height)	140.5 mm
Cut-Out dimension (Width)	197 mm
Wall thickness, min./max.	2...6 mm
Installation clearance (X)	15 mm
Installation clearance (Y)	50 mm
Installation clearance (Z)	100 mm
Hardware specification	
Processor	ARM Cortex A9 1 GHz NXP® i.MX6 DualLite
Memory (Flash)	8 GB
Memory (RAM)	1 GB
Type of cooling	Passive cooling
Firmware specification	
Operating system	Linux + Browser (HTML5)
Display specification	
Size	7"
Resolution	800 x 480
Material display	Plastic
Touch-Screen	resistive
Number of displayable colours	16 M
Luminance	500 cd/m ²
Luminance dimmable	Yes
Viewing angle horizontal	top 70 ° / bottom 70 °
Viewing angle vertical	left 60 ° / right 70 °
Display technology	LCD TFT, LED backlight
Housing specification	
Material frame	metal
Interfaces	
Interfaces behind	2 x USB 2.0 (host), 2 x Ethernet 10/100/1000 MBit/s (RJ45), 1 x serial RS-232/RS-485/RS-422
Power supply	
Voltage type	DC
Voltage, min.	18V
Voltage, max.	36V
Current consumption	0.42 A
Note	8 GB memory (flash) only from serial number AU5XXXXXX onwards

Ordering data

Module variants	
Note	

UV66-BAS-7-RES-W



General data		
Protection degree	IP66	
Operating temperature	0 °C ... +50 °C	
Humidity	80 % relative humidity (without condensation)	
Depth / Width / Height	40 / 204 / 147.6 mm	
Cut-Out dimension (Height)	140.5 mm	
Cut-Out dimension (Width)	197 mm	
Wall thickness, min./max.	2...6 mm	
Installation clearance (X)	15 mm	
Installation clearance (Y)	50 mm	
Installation clearance (Z)	100 mm	
Hardware specification		
Processor	ARM Cortex A9 1 GHz NXP® i.MX6 DualLite	
Memory (Flash)	8 GB	
Memory (RAM)	1 GB	
Type of cooling	Passive cooling	
Firmware specification		
Operating system	Linux + Browser (HTML5)	
Display specification		
Size	7"	
Resolution	800 x 480	
Material display	Plastic	
Touch-Screen	resistive	
Number of displayable colours	16 M	
Luminance	500 cd/m ²	
Luminance dimmable	Yes	
Viewing angle horizontal	top 70 ° / bottom 70 °	
Viewing angle vertical	left 60 ° / right 70 °	
Display technology	LCD TFT, LED backlight	
Housing specification		
Material frame	metal	
Interfaces		
Interfaces behind	2 x USB 2.0 (host), 2 x Ethernet 10/100/1000 MBit/s (RJ45), 1 x serial RS-232/RS-485/RS-422	
Power supply		
Voltage type	DC	
Voltage, min.	18V	
Voltage, max.	36V	
Current consumption	0.42 A	
Note	8 GB memory (flash) only from serial number AU5XXXXXX onwards	

Type	Qty.	Order No.
UV66-BAS-7-RES-W	1	2555810000
Note		

UV66-BAS-10-RES-W



General data		
Protection degree	IP66	
Operating temperature	0 °C ... +50 °C	
Humidity	80 % relative humidity (without condensation)	
Depth / Width / Height	49 / 293 / 201.5 mm	
Cut-Out dimension (Height)	193.5 mm	
Cut-Out dimension (Width)	285 mm	
Wall thickness, min./max.	2...6 mm	
Installation clearance (X)	15 mm	
Installation clearance (Y)	50 mm	
Installation clearance (Z)	100 mm	
Hardware specification		
Processor	ARM Cortex A9 1 GHz NXP® i.MX6 DualLite	
Memory (Flash)	8 GB	
Memory (RAM)	1 GB	
Type of cooling	Passive cooling	
Firmware specification		
Operating system	Linux + Browser (HTML5)	
Display specification		
Size	10.1"	
Resolution	1280 x 800	
Material display	Plastic	
Touch-Screen	resistive	
Number of displayable colours	16 M	
Luminance	400 cd/m ²	
Luminance dimmable	Yes	
Viewing angle horizontal	top 85 ° / bottom 85 °	
Viewing angle vertical	left 85 ° / right 85 °	
Display technology	LCD TFT, LED backlight	
Housing specification		
Material frame	metal	
Interfaces		
Interfaces behind	2 x USB 2.0 (host), 2 x Ethernet 10/100/1000 MBit/s (RJ45), 1 x serial RS-232/RS-485/RS-422	
Power supply		
Voltage type	DC	
Voltage, min.	18V	
Voltage, max.	36V	
Current consumption	0.5 A	
Note	8 GB memory (flash) only from serial number AU5XXXXXX onwards	

Type	Qty.	Order No.
UV66-BAS-10-RES-W	1	2555820000
Note		

Web Panels - Advanced Line

- Capacitive
- 7", 10.1" und 15.6"
- 8 GB memory
- Display material glass

UV66-ADV-7-CAP-W



UV66-ADV-10-CAP-W



Technical data

General data	
Protection degree	IP66
Operating temperature	0 °C ... +50 °C
Humidity	80 % relative humidity (without condensation)
Depth / Width / Height	40 / 204 / 147.6 mm
Cut-Out dimension (Height)	140.5 mm
Cut-Out dimension (Width)	197 mm
Wall thickness, min./max.	2...6 mm
Installation clearance (X)	15 mm
Installation clearance (Y)	50 mm
Installation clearance (Z)	100 mm
Hardware specification	
Processor	ARM Cortex A9 1 GHz NXP® i.MX6 DualLite
Memory (Flash)	8 GB
Memory (RAM)	1 GB
Type of cooling	Passive cooling
Firmware specification	
Operating system	Linux + Browser (HTML5)
Display specification	
Size	7"
Resolution	800 x 480
Material display	Glass
Touch-Screen	MultiTouch, capacitive
Number of displayable colours	16 M
Luminance	500 cd/m ²
Luminance dimmable	Yes
Viewing angle horizontal	top 70 ° / bottom 70 °
Viewing angle vertical	left 60 ° / right 70 °
Display technology	LCD TFT, LED backlight
Housing specification	
Material frame	metal
Interfaces	
Interfaces behind	2 x USB 2.0 (host), 2 x Ethernet 10/100/1000 MBit/s (RJ45), 1 x serial RS-232/RS-485/RS-422
Power supply	
Voltage type	DC
Voltage, min.	18V
Voltage, max.	36V
Current consumption	0.5 A
Note	8 GB memory (flash) only from serial number AU5XXXXXX onwards

General data	
Protection degree	IP66
Operating temperature	0 °C ... +50 °C
Humidity	80 % relative humidity (without condensation)
Depth / Width / Height	48 / 293 / 201.5 mm
Cut-Out dimension (Height)	193.5 mm
Cut-Out dimension (Width)	285 mm
Wall thickness, min./max.	2...6 mm
Installation clearance (X)	15 mm
Installation clearance (Y)	50 mm
Installation clearance (Z)	100 mm
Hardware specification	
Processor	ARM Cortex A9 1 GHz NXP® i.MX6 DualLite
Memory (Flash)	8 GB
Memory (RAM)	1 GB
Type of cooling	Passive cooling
Firmware specification	
Operating system	Linux + Browser (HTML5)
Display specification	
Size	10.1"
Resolution	1280 x 800
Material display	Glass
Touch-Screen	MultiTouch, capacitive
Number of displayable colours	16 M
Luminance	400 cd/m ²
Luminance dimmable	Yes
Viewing angle horizontal	top 85 ° / bottom 85 °
Viewing angle vertical	left 85 ° / right 85 °
Display technology	LCD TFT, LED backlight
Housing specification	
Material frame	metal
Interfaces	
Interfaces behind	2 x USB 2.0 (host), 2 x Ethernet 10/100/1000 MBit/s (RJ45), 1 x serial RS-232/RS-485/RS-422
Power supply	
Voltage type	DC
Voltage, min.	18V
Voltage, max.	36V
Current consumption	0.5 A
Note	8 GB memory (flash) only from serial number AU5XXXXXX onwards

General data	
Protection degree	IP66
Operating temperature	0 °C ... +50 °C
Humidity	80 % relative humidity (without condensation)
Depth / Width / Height	48 / 293 / 201.5 mm
Cut-Out dimension (Height)	193.5 mm
Cut-Out dimension (Width)	285 mm
Wall thickness, min./max.	2...6 mm
Installation clearance (X)	15 mm
Installation clearance (Y)	50 mm
Installation clearance (Z)	100 mm
Hardware specification	
Processor	ARM Cortex A9 1 GHz NXP® i.MX6 DualLite
Memory (Flash)	8 GB
Memory (RAM)	1 GB
Type of cooling	Passive cooling
Firmware specification	
Operating system	Linux + Browser (HTML5)
Display specification	
Size	10.1"
Resolution	1280 x 800
Material display	Glass
Touch-Screen	MultiTouch, capacitive
Number of displayable colours	16 M
Luminance	400 cd/m ²
Luminance dimmable	Yes
Viewing angle horizontal	top 85 ° / bottom 85 °
Viewing angle vertical	left 85 ° / right 85 °
Display technology	LCD TFT, LED backlight
Housing specification	
Material frame	metal
Interfaces	
Interfaces behind	2 x USB 2.0 (host), 2 x Ethernet 10/100/1000 MBit/s (RJ45), 1 x serial RS-232/RS-485/RS-422
Power supply	
Voltage type	DC
Voltage, min.	18V
Voltage, max.	36V
Current consumption	0.5 A
Note	8 GB memory (flash) only from serial number AU5XXXXXX onwards

Ordering data

Module variants	
Note	

Type	Qty.	Order No.
UV66-ADV-7-CAP-W	1	2555830000

Type	Qty.	Order No.
UV66-ADV-10-CAP-W	1	2555840000

Advanced Line

Web Panels - Advanced Line

- Capacitive
- 7", 10.1" und 15.6"
- 8 GB memory
- Display material glass

UV66-ADV-15-CAP-W



Technical data

General data

Protection degree
 Operating temperature
 Humidity
 Depth / Width / Height
 Cut-Out dimension (Height)
 Cut-Out dimension (Width)
 Wall thickness, min./max.
 Installation clearance (X)
 Installation clearance (Y)
 Installation clearance (Z)

IP66
 0 °C ... +50 °C
 80 % relative humidity (without condensation)
 49 / 433 / 267 mm
 255 mm
 410 mm
 2...6 mm
 15 mm
 50 mm
 100 mm

Hardware specification

Processor
 Memory (Flash)
 Memory (RAM)
 Type of cooling

ARM Cortex A9 1 GHz NXP® i.MX6 DualLite
 8 GB
 1 GB
 Passive cooling

Firmware specification

Operating system

Linux + Browser (HTML5)

Display specification

Size
 Resolution
 Material display
 Touch-Screen
 Number of displayable colours
 Luminance
 Luminance dimmable
 Viewing angle horizontal
 Viewing angle vertical
 Display technology

15.6"
 1366 x 768
 Glass
 MultiTouch, capacitive
 16 M
 400 cd/m²
 Yes
 top 85 ° / bottom 85 °
 left 80 ° / right 80 °
 LCD TFT, LED backlight

Housing specification

Material frame

metal

Interfaces

Interfaces behind

2 x USB 2.0 (host), 2 x Ethernet 10/100/1000 MBit/s (RJ45), 1 x serial RS-232/RS-485/RS-422

Power supply

Voltage type
 Voltage, min.
 Voltage, max.
 Current consumption

DC
 18V
 36V
 0.83 A

Note

8 GB memory (flash) only from serial number AU5XXXXXX onwards

Ordering data

Module variants

Type	Qty.	Order No.
UV66-ADV-15-CAP-W	1	2555850000

Note

Industrial PCs, Panel PCs and Monitors

U-view

Industrial PCs, Panel PCs and Monitors U-view	Overview	F.2
	Industrial PCs	F.4
	Industrial Panel PCs	F.11
	Industrial Monitors	F.16

Flexible implementation of visualization, control and IoT applications

Reliable Industrial PCs for your automation

High-performance IPCs and Panel PCs enable the flexible control, operation and monitoring of machines and systems. u-view IPCs and Panel PCs from Weidmüller are known for their high reliability and are designed for state-of-the-art visualisation, control and IoT applications.

The u-view IPC and Panel PC series use the latest, passively cooled Intel® Atom™, Celeron™, and Core™ i-processors. By selecting from high-quality aluminium housings in various sizes, a wide range of interfaces, and modern operating systems, you can build IPCs that optimally fit your requirements. The Panel PCs close the gap between IPCs and HMIs by combining the high-quality display technology of u-view HMIs with the performance of state-of-the-art hardware.

Long-term available components and highest demands on processing and design make the u-view portfolio the optimal hardware for your future-oriented visualization, control and IoT applications.





Flexible application range

u-view IPCs and Panel PCs are perfectly tailored for state-of-the-art visualization, automation and IoT applications and support Windows and Linux operating systems.



Intuitive thanks to multi-touch

Scaleable performance

The different performance classes provide a broad selection of hardware for an optimal fit to your applications.

High-quality finish for industrial use

The sturdy aluminium housings meet the highest quality requirements and enable the passive cooling of IPCs and Panel PCs through intelligent heat management.



Industrial PCs

Ultra Compact PCs - 1000

UV20-B-IPC-1000.01

UV20-B-IPC-1011.01



Technical data

General data	
Width / Height / Depth	
Weight	
Protection degree	
Voltage supply	
Humidity	
Operating temperature	
Storage temperature	
Approvals	
System data	
Processor	
Memory (RAM)	
Operating system	
Interfaces in front	
Memory	
Note	

43.4 / 140 / 101.5 mm
350 g
IP20
24 V DC (18-32 V DC) isolated
80 % relative humidity (without condensation)
0 °C ... +55 °C
-10 °C ... +60 °C
CE, EN 61000-3-2,-3, EN 55022, EN 55024, EN 60950-1, cULus LISTED (UL 61010)
Intel Atom® x5-E3930 - Dual Core 1.3 GHz (1.8 GHz Burst)
2 GB, DDR4, soldered
no pre-installed operating System
2 x Ethernet 10/100/1000 MBit/s (RJ45), 2x USB 3.0, 1x Displayport™
64 GB m.2 SSD

43.4 / 140 / 101.5 mm
350 g
IP20
24 V DC (18-32 V DC) isolated
80 % relative humidity (without condensation)
0 °C ... +50 °C
-10 °C ... +60 °C
CE, EN 61000-3-2,-3, EN 55022, EN 55024, EN 60950-1, cULus LISTED (UL 61010)
Intel Atom® x7-E3950 - Quad Core 1.6 GHz (2.0 GHz Burst)
4 GB, DDR4, soldered
Windows 10 IoT Enterprise LTSC 2019 64bit
2 x Ethernet 10/100/1000 MBit/s (RJ45), 2x USB 3.0, 1x Displayport™
64 GB m.2 SSD

Ordering data

Ultra Compact PC - 1000	
Note	

Type	Qty.	Order No.
UV20-B-IPC-1000.01	1	2676340000

Type	Qty.	Order No.
UV20-B-IPC-1011.01	1	2665800000

UV20-B-IPC-1011.02



43.4 / 140 / 101.5 mm
350 g
IP20
24 V DC (18-32 V DC) isolated
80 % relative humidity (without condensation)
0 °C ... +50 °C
-10 °C ... +60 °C
CE, EN 61000-3-2,-3, EN 55022, EN 55024, EN 60950-1, cULus LISTED (UL 61010)
Intel Atom® x7-E3950 - Quad Core 1.6 GHz (2.0 GHz Burst)
4 GB, DDR4, soldered
Windows 10 IoT Enterprise LTSC 2019 64bit
2 x Ethernet 10/100/1000 MBit/s (RJ45), 2x USB 3.0, 1x Displayport™
128 GB m.2 SSD

Type	Qty.	Order No.
UV20-B-IPC-1011.02	1	2676350000



Industrial PCs

Compact PCs - 2000

UV20-B-IPC-2001.01

UV20-B-IPC-2001.02



Technical data

General data	
Width / Height / Depth	48 / 185 / 182 mm
Weight	1050 g
Protection degree	IP20
Voltage supply	24 V DC (18-32 V DC) isolated
Humidity	80 % relative humidity (without condensation)
Operating temperature	0 °C ... +50 °C
Storage temperature	-10 °C ... +60 °C
Approvals	CE, EN 61000-3-2,-3, EN 55022, EN 55024, EN 60950-1, cULus LISTED (UL 61010)
System data	
Processor	Intel® Celeron® J1900 - Quad Core 2.0 GHz (2.42 GHz Burst)
Memory (RAM)	4 GB, DDR3
Memory	60 GB mSATA SSD
Operating system	Windows 10 IoT Enterprise LTSC 2019 64bit
Interfaces above	2 x Ethernet 10/100/1000 MBit/s (RJ45), 2x USB 2.0, 1x USB 3.0, 1x DVI-D, 1x RS232 (DB9M)
Interfaces in front	1x Cfast slot
Note	

Width / Height / Depth	48 / 185 / 182 mm
Weight	1050 g
Protection degree	IP20
Voltage supply	24 V DC (18-32 V DC) isolated
Humidity	80 % relative humidity (without condensation)
Operating temperature	0 °C ... +50 °C
Storage temperature	-10 °C ... +60 °C
Approvals	CE, EN 61000-3-2,-3, EN 55022, EN 55024, EN 60950-1, cULus LISTED (UL 61010)
Processor	Intel® Celeron® J1900 - Quad Core 2.0 GHz (2.42 GHz Burst)
Memory (RAM)	4 GB, DDR3
Memory	60 GB mSATA SSD
Operating system	Windows 10 IoT Enterprise LTSC 2019 64bit
Interfaces above	2 x Ethernet 10/100/1000 MBit/s (RJ45), 2x USB 2.0, 1x USB 3.0, 1x DVI-D, 1x RS232 (DB9M)
Interfaces in front	1x Cfast slot
Note	

Width / Height / Depth	48 / 185 / 182 mm
Weight	1000 g
Protection degree	IP20
Voltage supply	24 V DC (18-32 V DC) isolated
Humidity	80 % relative humidity (without condensation)
Operating temperature	0 °C ... +50 °C
Storage temperature	-10 °C ... +60 °C
Approvals	CE, EN 61000-3-2,-3, EN 55022, EN 55024, EN 60950-1, cULus LISTED (UL 61010)
Processor	Intel® Celeron® J1900 - Quad Core 2.0 GHz (2.42 GHz Burst)
Memory (RAM)	4 GB, DDR3
Memory	60 GB mSATA SSD
Operating system	no pre-installed operating System
Interfaces above	2 x Ethernet 10/100/1000 MBit/s (RJ45), 1x USB 2.0, 1x USB 3.0, 1x DVI-D
Interfaces in front	1x Cfast slot
Note	

Ordering data

Compact PC - 2000
Note

Type	Qty.	Order No.
UV20-B-IPC-2001.01	1	2676370000
Note		

Type	Qty.	Order No.
UV20-B-IPC-2001.02	1	2665810000
Note		

UV20-B-IPC-2001.03



48 / 185 / 182 mm
1000 g
IP20
24 V DC (18-32 V DC) isolated
80 % relative humidity (without condensation)
0 °C ... +50 °C
-10 °C ... +60 °C
CE, EN 61000-3-2,-3, EN 55022, EN 55024, EN 60950-1, cULus LISTED (UL 61010)
Intel® Celeron® J1900 - Quad Core 2.0 GHz (2.42 GHz Burst)
4 GB, DDR3
120 GB mSATA SSD
Windows 10 IoT Enterprise LTSC 2019 64bit
2 x Ethernet 10/100/1000 MBit/s (RJ45), 1x USB 2.0, 1x USB 3.0, 1x DVI-D
1x Cfast slot

Type	Qty.	Order No.
UV20-B-IPC-2001.03	1	2676380000

UV20-B-IPC-2002.02



48 / 185 / 182 mm
1000 g
IP20
24 V DC (18-32 V DC) isolated
80 % relative humidity (without condensation)
0 °C ... +50 °C
-10 °C ... +60 °C
CE, EN 61000-3-2,-3, EN 55022, EN 55024, EN 60950-1, cULus LISTED (UL 61010)
Intel® Celeron® J1900 - Quad Core 2.0 GHz (2.42 GHz Burst)
8 GB, DDR3
240 GB mSATA SSD
Windows 10 IoT Enterprise LTSC 2019 64bit
2 x Ethernet 10/100/1000 MBit/s (RJ45), 1x USB 2.0, 1x USB 3.0, 1x DVI-D
1x Cfast slot

Type	Qty.	Order No.
UV20-B-IPC-2002.02	1	2763410000



Industrial PCs

Box PCs - 3000

UV20-B-IPC-3000.01

UV20-B-IPC-3010.01



Technical data

General data

Width / Height / Depth
Weight
Protection degree
Voltage supply
Humidity
Operating temperature
Storage temperature
Approvals

71 / 220 / 159.5 mm
1800 g
IP20
24 V DC (18-32 V DC) isolated
80 % relative humidity (without condensation)
0 °C ... +50 °C
-10 °C ... +60 °C
CE, EN 61000-3-2,-3, EN 55022, EN 55024, EN 60950-1, cULus LISTED (UL 61010)

71 / 220 / 159.5 mm
1800 g
IP20
24 V DC (18-32 V DC) isolated
80 % relative humidity (without condensation)
0 °C ... +50 °C
-10 °C ... +60 °C
CE, EN 61000-3-2,-3, EN 55022, EN 55024, EN 60950-1, cULus LISTED (UL 61010)

System data

Processor
Memory (RAM)
Memory
Operating system
Interfaces above
Interfaces in front
Security features

Intel® Celeron® 3955U - Dual Core 2.0 GHz
4 GB, DDR4
60 GB mSATA SSD
Windows 10 IoT Enterprise LTSC 2019 64bit
3x Ethernet 10/100/1000 MBit/s (RJ45), 2x USB 3.0, 1x DVI-D
1x Cfast slot, 1x USB 3.0

Intel® Core™ i3-6100U - Dual Core 2.3 GHz
4 GB, DDR4
60 GB mSATA SSD
Windows 10 IoT Enterprise LTSC 2019 64bit
3x Ethernet 10/100/1000 MBit/s (RJ45), 2x USB 3.0, 1x DVI-D
1x Cfast slot, 1x USB 3.0

Note

Note

Note

Ordering data

Box PC - 3000
Note

Type	Qty.	Order No.
UV20-B-IPC-3000.01	1	2676390000
Note		

Type	Qty.	Order No.
UV20-B-IPC-3010.01	1	2676400000
Note		

UV20-B-IPC-3021.01



71 / 220 / 159.5 mm
1800 g
IP20
24 V DC (18-32 V DC) isolated
80 % relative humidity (without condensation)
0 °C ... +50 °C
-10 °C ... +60 °C
CE, EN 61000-3-2,-3, EN 55022, EN 55024, EN 60950-1, cULus LISTED (UL 61010)
Intel® Core™ i5-6300U - Dual Core 2.4 GHz (3.0 GHz Turbo)
8 GB, DDR4
120 GB mSATA SSD
Windows 10 IoT Enterprise LTSC 2019 64bit
3x Ethernet 10/100/1000 MBit/s (RJ45), 2x USB 3.0, 1x DVI-D
1x Cfast slot, 1x USB 3.0

Type	Qty.	Order No.
UV20-B-IPC-3021.01	1	2676410000

UV20-B-IPC-3021.02



71 / 220 / 159.5 mm
1800 g
IP20
24 V DC (18-32 V DC) isolated
80 % relative humidity (without condensation)
0 °C ... +50 °C
-10 °C ... +60 °C
CE, EN 61000-3-2,-3, EN 55022, EN 55024, EN 60950-1, cULus LISTED (UL 61010)
Intel® Core™ i5-6300U - Dual Core 2.4 GHz (3.0 GHz Turbo)
8 GB, DDR4
120 GB mSATA SSD, 256 GB 2,5" SSD
no pre-installed operating System
3x Ethernet 10/100/1000 MBit/s (RJ45), 2x USB 3.0, 1x DVI-D
1x Cfast slot, 1x USB 3.0
TPM 2.0 compatible hardware plugin

Type	Qty.	Order No.
UV20-B-IPC-3021.02	1	2815590000

UV20-B-IPC-3031.01



71 / 220 / 159.5 mm
1800 g
IP20
24 V DC (18-32 V DC) isolated
80 % relative humidity (without condensation)
0 °C ... +50 °C
-10 °C ... +60 °C
CE, EN 61000-3-2,-3, EN 55022, EN 55024, EN 60950-1, cULus LISTED (UL 61010)
Intel® Core™ i7-6600U - Dual Core 2.6 GHz (3.4 GHz Turbo)
8 GB, DDR4
120 GB mSATA SSD
Windows 10 IoT Enterprise LTSC 2019 64bit
3x Ethernet 10/100/1000 MBit/s (RJ45), 2x USB 3.0, 1x DVI-D
1x Cfast slot, 1x USB 3.0

Type	Qty.	Order No.
UV20-B-IPC-3031.01	1	2665820000



Industrial PCs

Box PCs - 3000

UV20-B-IPC-3032.01



Technical data

General data	
Width / Height / Depth	71 / 220 / 159.5 mm
Weight	1800 g
Protection degree	IP20
Voltage supply	24 V DC (18-32 V DC) isolated
Humidity	80 % relative humidity (without condensation)
Operating temperature	0 °C ... +50 °C
Storage temperature	-10 °C ... +60 °C
Approvals	CE, EN 61000-3-2,-3, EN 55022, EN 55024, EN 60950-1, cULus LISTED (UL 61010)
System data	
Processor	Intel® Core™ i7-6600U - Dual Core 2.6 GHz (3.4 GHz Turbo)
Memory (RAM)	16 GB, DDR4
Memory	120 GB mSATA SSD
Operating system	no pre-installed operating System
Interfaces above	3x Ethernet 10/100/1000 MBit/s (RJ45), 2x USB 3.0, 1x DVI-D
Interfaces in front	1x Cfast slot, 1x USB 3.0
Security features	
Note	

Ordering data

Type	Qty.	Order No.
UV20-B-IPC-3032.01	1	2676420000
Note		

Box PC - 3000

Panel PCs - 1000 Basic

UV66-BAS-XX-IPPC-1001.01



Technical data

General data	
Width	7": 215 mm 10.1": 293 mm 12.1": 335 mm 15.6": 390 mm
Height	7": 167 mm 10.1": 212 mm 12.1": 270 mm 15.6": 315 mm
Depth	7": 79 mm 10.1": 79 mm 12.1": 79 mm 15.6": 80 mm
Weight	7": 1800 g 10.1": 2200 g 12.1": 2600 g 15.6": 3700 g
Protection degree	IP66
Voltage supply	24 V DC (18-32 V DC) isolated
Humidity	80 % relative humidity (without condensation)
Operating temperature	0 °C ... +50 °C
Storage temperature	-20 °C ... +60 °C
Approvals	CE, EN 61000-3-2,-3, EN 55022, EN 55024, EN 60950-1, cULus LISTED (UL 61010)
System data	
Processor	Intel® Celeron® J1900 - Quad Core 2.0 GHz (2.42 GHz Burst)
Memory (RAM)	4 GB, DDR3
Memory	60 GB mSATA SSD
Operating system	Windows 10 IoT Enterprise LTSC 2019 64bit
Interfaces in front	1x USB 2.0
Interfaces behind	2 x Ethernet 10/100/1000 MBit/s (RJ45), 1x USB 3.0, 1x USB 2.0, 1x Cfast slot
Equipment	
Number of displayable colours	16 M
Luminance	400 cd/m²
Material display	Plastic
Material frame	Aluminium
Touch-Screen	resistive
Note	

Ordering data

Type	Qty.	Order No.
Display size: 7", Resolution: 800 x 480	1	2676430000
Display size: 10.1", Resolution: 1280 x 800	1	2676450000
Display size: 12.1", Resolution: 1280 x 800	1	2676470000
Display size: 15.6", Resolution: 1366 x 768	1	2676490000
Note		



Industrial Panel PCs

Panel PCs - 1000 Advanced

UV66-ADV-XX-IPPC-1001.01



Technical data

General data	
Width	7": 204 mm 10.1": 293 mm 12.1": 331 mm 15.6": 433 mm
Height	7": 148 mm 10.1": 212 mm 12.1": 234 mm 15.6": 280.5 mm
Depth	7": 77.6 mm 10.1": 80 mm 12.1": 82 mm 15.6": 97 mm
Weight	7": 1800 g 10.1": 2200 g 12.1": 2600 g 15.6": 3700 g
Protection degree	IP66
Voltage supply	24 V DC (18-32 V DC) isolated
Humidity	80 % relative humidity (without condensation)
Operating temperature	0 °C ... +50 °C
Storage temperature	-20 °C ... +60 °C
Approvals	CE, EN 61000-3-2,-3, EN 55022, EN 55024, EN 60950-1, cULus LISTED (UL 61010)
System data	
Processor	Intel® Celeron® J1900 - Quad Core 2.0 GHz (2.42 GHz Burst)
Memory (RAM)	4 GB, DDR3
Memory	60 GB mSATA SSD
Operating system	Windows 10 IoT Enterprise LTSC 2019 64bit
Interfaces in front	
Interfaces behind	2 x Ethernet 10/100/1000 MBit/s (RJ45), 1x USB 3.0, 3x USB 2.0, 1x Cfast slot
Equipment	
Number of displayable colours	16 M
Luminance	400 cd/m ²
Material display	Glass
Material frame	Aluminium
Touch-Screen	capacitive, MultiTouch
Note	

Ordering data

Display size: 7", Resolution: 800 x 480, add. 2x USB 2.0 ports	Type	Qty.	Order No.
Display size: 10.1", Resolution: 1280 x 800	UV66-ADV-7-IPPC-1001.01	1	2665830000
Display size: 12.1", Resolution: 1280 x 800	UV66-ADV-10-IPPC-1001.01	1	2676460000
Display size: 15.6", Resolution: 1366 x 768	UV66-ADV-12-IPPC-1001.01	1	2676480000
	UV66-ADV-15-IPPC-1001.01	1	2676500000
Note			

Panel PCs - 3000 Advanced

UV66-ADV-XX-IPPC-3001.01

UV66-ADV-XX-IPPC-3022.01



Technical data

General data

Width	12.1": 331 mm 15.6": 433 mm 18.5": 503 mm 21.5": 581.5 mm
Height	12.1": 234 mm 15.6": 280.5 mm 18.5": 320.5 mm 21.5": 367.5 mm
Depth	12.1": 83 mm 15.6": 98 mm 18.5": 97 mm 21.5": 99 mm
Weight	12.1": 3800 g 15.6": 4900 g 18.5": 6400 g 21.5": 7800 g
Protection degree	IP66
Voltage supply	24 V DC (18-32 V DC) isolated
Humidity	80 % relative humidity (without condensation)
Operating temperature	0 °C ... +50 °C
Storage temperature	-20 °C ... +60 °C
Approvals	CE, EN 61000-3-2,-3, EN 55022, EN 55024, EN 60950-1, cULus LISTED (UL 61010)

General data

Width	12.1": 331 mm 15.6": 433 mm 18.5": 503 mm 21.5": 581.5 mm
Height	12.1": 234 mm 15.6": 280.5 mm 18.5": 320.5 mm 21.5": 367.5 mm
Depth	12.1": 83 mm 15.6": 98 mm 18.5": 97 mm 21.5": 99 mm
Weight	12.1": 3800 g 15.6": 4900 g 18.5": 6400 g 21.5": 7800 g
Protection degree	IP66
Voltage supply	24 V DC (18-32 V DC) isolated
Humidity	80 % relative humidity (without condensation)
Operating temperature	0 °C ... +50 °C
Storage temperature	-20 °C ... +60 °C
Approvals	CE, EN 61000-3-2,-3, EN 55022, EN 55024, EN 60950-1, cULus LISTED (UL 61010)

General data

Width	12.1": 581.5 mm 15.6": 433 mm 18.5": 503 mm 21.5": 581.5 mm
Height	12.1": 367.5 mm 15.6": 280.5 mm 18.5": 320.5 mm 21.5": 367.5 mm
Depth	12.1": 84 mm 15.6": 83 mm 18.5": 97 mm 21.5": 84 mm
Weight	12.1": 3800 g 15.6": 4900 g 18.5": 6400 g 21.5": 7800 g
Protection degree	IP66
Voltage supply	24 V DC (18-32 V DC) isolated
Humidity	80 % relative humidity (without condensation)
Operating temperature	0 °C ... +50 °C
Storage temperature	-20 °C ... +60 °C
Approvals	CE, EN 61000-3-2,-3, EN 55022, EN 55024, EN 60950-1, cULus LISTED (UL 61010)

System data

Processor	Intel® Celeron® 3765U - Dual Core 1.9 GHz
Memory (RAM)	4 GB, DDR3
Memory	60 GB mSATA SSD
Operating system	Windows 10 IoT Enterprise LTSC 2019 64bit
Interfaces in front	
Interfaces behind	3x Ethernet 10/100/1000 MBit/s (RJ45), 2x USB 3.0, 1x USB 2.0, 1x DVI-I, 1x RS232 (DB9M)

System data

Processor	Intel® Core™ i5-5350U - Dual Core 1.8 GHz (2.9 GHz Turbo)
Memory (RAM)	8 GB, DDR3
Memory	120 GB mSATA SSD
Operating system	Windows 10 IoT Enterprise LTSC 2019 64bit
Interfaces in front	
Interfaces behind	3x Ethernet 10/100/1000 MBit/s (RJ45), 2x USB 3.0, 1x USB 2.0, 1x DVI-I, 1x RS232 (DB9M)

System data

Processor	Intel® Core™ i5-5350U - Dual Core 1.8 GHz (2.9 GHz Turbo)
Memory (RAM)	8 GB, DDR3
Memory	120 GB mSATA SSD
Operating system	Windows 10 IoT Enterprise LTSC 2019 64bit
Interfaces in front	
Interfaces behind	3x Ethernet 10/100/1000 MBit/s (RJ45), 2x USB 3.0, 1x USB 2.0, 1x DVI-I, 1x RS232 (DB9M)

Equipment

Number of displayable colours	16 M
Material display	Glass
Material frame	Aluminium
Touch-Screen	capacitive, MultiTouch

Equipment

Number of displayable colours	16 M
Material display	Glass
Material frame	Aluminium
Touch-Screen	capacitive, MultiTouch

Equipment

Number of displayable colours	16 M
Material display	Glass
Material frame	Aluminium
Touch-Screen	capacitive, MultiTouch

Note

Ordering data

Display size: 12.1", Resolution: 1280 x 800, Luminance: 400 cd/m ²	
Display size: 15.6", Resolution: 1366 x 768, Luminance: 400 cd/m ²	
Display size: 18.5", Resolution: 1366 x 768, Luminance: 300 cd/m ²	
Display size: 21.5", Resolution: 1920 x 1080, Luminance: 300 cd/m ²	

Type	Qty.	Order No.
UV66-ADV-12-IPPC-3001.01	1	2676510000
UV66-ADV-15-IPPC-3001.01	1	2676530000
UV66-ADV-18-IPPC-3001.01	1	2676550000
UV66-ADV-21-IPPC-3001.01	1	2676570000

Type	Qty.	Order No.
UV66-ADV-12-IPPC-3022.01	1	2676520000
UV66-ADV-15-IPPC-3022.01	1	2676540000
UV66-ADV-18-IPPC-3022.01	1	2676560000
UV66-ADV-21-IPPC-3022.01	1	2676580000

Note

Industrial Panel PCs

Panel PCs - 3000 Advanced

UV66-ADV-XX-IPPC-3022.02



Technical data

General data	
Width	15.6": 433 mm 21.5": 581.5 mm
Height	15.6": 280.5 mm 21.5": 367.5 mm
Depth	15.6": 98 mm 21.5": 84 mm
Weight	15.6": 4900 g 21.5": 7800 g
Protection degree	IP66
Voltage supply	24 V DC (18-32 V DC) isolated
Humidity	80 % relative humidity (without condensation)
Operating temperature	0 °C ... +50 °C
Storage temperature	-20 °C ... +60 °C
Approvals	CE, EN 61000-3-2,-3, EN 55022, EN 55024, EN 60950-1, cULus LISTED (UL 61010)
System data	
Processor	Intel® Core™ i5-5350U - Dual Core 1.8 GHz (2.9 GHz Turbo)
Memory (RAM)	8 GB, DDR3
Memory	240 GB mSATA SSD
Operating system	Windows 10 IoT Enterprise LTSC 2019 64bit
Interfaces in front	3x Ethernet 10/100/1000 MBit/s (RJ45), 2x USB 3.0, 1x USB 2.0, 1x DVI-I, 1x RS232 (DB9M)
Interfaces behind	
Equipment	
Number of displayable colours	16 M
Luminance	400 cd/m ²
Material display	Glass
Material frame	Aluminium
Touch-Screen	capacitive, MultiTouch
Note	

Ordering data

Display size: 15.6", Resolution: 1366 x 768, Luminance: 400 cd/m ²	Type	Qty.	Order No.
Display size: 21.5", Resolution: 1920 x 1080, Luminance: 300 cd/m ²	UV66-ADV-15-IPPC-3022.02	1	2812790000
	UV66-ADV-21-IPPC-3022.02	1	2812760000
Note			

Panel PCs - 4000 Advanced

UV66-ADV-21-IPPC-4032.01



Similar to illustration

Technical data

General data	
Width	21.5": 581.5 mm
Height	21.5": 367.5 mm
Depth	21.5": 113 mm
Weight	21.5": 12280 g
Protection degree	IP66
Voltage supply	24 V DC (18-32 V DC) isolated
Humidity	80 % relative humidity (without condensation)
Operating temperature	0 °C ... +50 °C
Storage temperature	-20 °C ... +60 °C
Approvals	CE, EN 61000-3-2,-3, EN 55022, EN 55024, EN 60950-1, cULus LISTED (UL 61010)
System data	
Processor	Intel® Core™ i3-7100E - Dual Core 2.90 GHz
Memory (RAM)	4 GB
Memory	60 GB mSATA SSD
Operating system	Windows 10 IoT Enterprise LTSC 2019 64bit
Interfaces in front	1x USB 2.0
Interfaces behind	4x Ethernet 10/100/1000 MBit/s (RJ45), 3x USB 3.0, 2x USB 2.0, 1x RS232 (DB9M), 1x DVI-D
Equipment	
Number of displayable colours	16 M
Luminance	300 cd/m ²
Material display	Glass
Material frame	Aluminium
Touch-Screen	capacitive, MultiTouch
Note	

Ordering data

Display size: 21.5", Resolution: 1920 x 1080, Luminance: 300 cd/m ²		
Type	Qty.	Order No.
UV66-ADV-21-IPPC-4032.01	1	2796790000
Note		



Industrial Monitors

Monitore - 10

UV66-ADV-XX-IPM-10



Technical data

General data	
Width	12.1": 331 mm 15.6": 433 mm 18.5": 503 mm 21.5": 581.5 mm
Height	12.1": 234 mm 15.6": 280.5 mm 18.5": 320.5 mm 21.5": 367.5 mm
Depth	12.1": 73 mm 15.6": 87 mm 18.5": 86 mm 21.5": 88 mm
Weight	12.1": 5200 g 15.6": 6000 g 18.5": 7300 g 21.5": 8400 g
Protection degree	IP66
Voltage supply	24 V DC isolated
Humidity	80 % relative humidity (without condensation)
Operating temperature	0 °C ... +50 °C
Storage temperature	-5 °C ... +60 °C
Approvals	CE, EN 61000-3-2,-3, EN 55022, EN 55024, EN 60950-1, cULus, UL 508
Equipment	
Number of displayable colours	16 M
Material display	Glass
Material frame	Aluminium
Touch-Screen	capacitive, MultiTouch
Interfaces behind	1x VGA, 1x DVI-D, 2x USB 2.0
Note	

Ordering data

Type	Qty.	Order No.
Display size: 12.1", Resolution: 1280 x 800, Luminance: 400 cd/m ²	1	2676670000
Display size: 15.6", Resolution: 1366 x 768, Luminance: 400 cd/m ²	1	2676680000
Display size: 18.5", Resolution: 1366 x 768, Luminance: 300 cd/m ²	1	2676690000
Display size: 21.5", Resolution: 1920 x 1080, Luminance: 300 cd/m ²	1	2676700000
Note		

Visualisation software

u-create

Visualisation software	u-create PROCON-WEB embedded systems	G.2
u-create	u-create PROCON-WEB SCADA	G.4

Future-proof visualisations for IIoT applications

u-create PROCON-WEB Embedded Systems – the platform-independent HMI software

In modern IIoT and automation applications, machine data must be available locally and in the cloud for all users. To ensure task-oriented provision and intuitive use, the relevant information needs to be collected and visually prepared.

PROCON-WEB Embedded Systems is a platform-independent visualisation solution ideally suited for use in modern IIoT applications. Due to its low system requirements, it can be integrated on all embedded devices up to the cloud level. This is enabled by container technologies, for example. The HMI is conveniently accessed via HTML5-compatible browsers and can therefore be accessed from a wide variety of end devices.

Your special advantage:

- Portable and easy-to-parametrise HMI and IIoT solution
- High performance with low resource requirements
- Compatible with devices with OPC UA server, Modbus interface, u-control and others. Dynamic web interface with adaptive design and customisable control elements



Many visualisation features

Predefined control elements, user and rights management, multilingualism, data recording, recipe management, alarm and message processing, and many other features make PROCON-WEB Embedded Systems versatile.

Maximum flexibility

PROCON-WEB Embedded Systems can be implemented independently of hardware and operating system. Web-based visualisation, support for mobile devices, and open communication standards increase flexibility.



Efficient project planning

Features such as the class-instance concept and automation objects with structure support speed up project planning. Scripting and customisable control elements increase flexibility for special requirements.



Ordering data

Type	Number of process variables, max.	Configurable target systems	Operating system	Order No.
PWEB-DESIGNER-ES-COMPACT	2000	Embedded Systems	Windows	Free to use
PWEB-DESIGNER-PRO	Unlimited	Embedded Systems + SCADA	Windows	2857650000

Operate machines and systems via browser interfaces

u-create PROCON-WEB SCADA – the future-proof visualisation solution

Easily scalable and platform-independent HMI and SCADA solutions can be used flexibly and make relevant machine data available everywhere. They facilitate fault processing as well as data recording and management to support the control of complex processes.

PROCON-WEB SCADA simplifies the project planning of modern multi-touch-capable user interfaces for automation. The integrated web server enables the use of all HTML5-capable browsers without special plug-ins. The comprehensive portfolio of communication drivers facilitates the connection with all common control systems. Standardised open interfaces guarantee problem-free integration into any IT surroundings.

Your special advantage:

- Easy creation of modern user interfaces without knowledge of web technologies
- Dynamic web interface with adaptive design and customisable control elements
- User and rights management including geographical rights assignment
- Multilingualism thanks to Unicode standard



G



Future-proof solution

Intuitive user interfaces, configurable elements for gesture control and the use of state-of-the-art web technologies make the solution particularly future-proof.

Efficient project planning

The class-instance concept and automation objects with structure support accelerate project planning. Scripting and customisable control elements increase flexibility for special requirements.



Simple scalability

PROCON-WEB SCADA is easily scalable – from HMI applications on embedded hardware to complex SCADA applications integrated into the IT surroundings.



Ordering data

Type	Number of process variables, max.	Number of devices	Platform for runtime system	Order No.
SCADA runtime licences				
PWEB-SCADA-RT-500/2	500	2	Windows	2857420000
PWEB-SCADA-RT-500/5	500	5	Windows	2857430000
PWEB-SCADA-RT-500/10	500	10	Windows	2857470000
PWEB-SCADA-RT-500/20	500	20	Windows	2875360000
PWEB-SCADA-RT-1000/2	1000	2	Windows	2857480000
PWEB-SCADA-RT-1000/5	1000	5	Windows	2857520000
PWEB-SCADA-RT-1000/10	1000	10	Windows	2857530000
PWEB-SCADA-RT-1000/20	1000	20	Windows	2875350000
PWEB-SCADA-RT-2000/2	2000	2	Windows	2857540000
PWEB-SCADA-RT-2000/5	2000	5	Windows	2857550000
PWEB-SCADA-RT-2000/10	2000	10	Windows	2857560000
PWEB-SCADA-RT-2000/20	2000	20	Windows	2875370000
PWEB-SCADA-RT-5000/2	5000	2	Windows	2857570000
PWEB-SCADA-RT-5000/5	5000	5	Windows	2857580000
PWEB-SCADA-RT-5000/10	5000	10	Windows	2857600000
PWEB-SCADA-RT-5000/20	5000	20	Windows	2875380000
PWEB-SCADA-RT-10000/2	10000	2	Windows	2857610000
PWEB-SCADA-RT-10000/5	10000	5	Windows	2857620000
PWEB-SCADA-RT-10000/10	10000	10	Windows	2857630000
PWEB-SCADA-RT-10000/20	10000	20	Windows	2875390000
PWEB-SCADA-RT-30000/2	30000	2	Windows	2862170000
PWEB-SCADA-RT-30000/5	30000	5	Windows	2862180000
PWEB-SCADA-RT-30000/10	30000	10	Windows	2862190000
PWEB-SCADA-RT-30000/20	30000	20	Windows	2875400000
PWEB-SCADA-RT-60000/2	60000	2	Windows	2862200000
PWEB-SCADA-RT-60000/5	60000	5	Windows	2862210000
PWEB-SCADA-RT-60000/10	60000	10	Windows	2862220000
PWEB-SCADA-RT-60000/20	60000	20	Windows	2875410000
PWEB-SCADA-RT-PRO/2	Unlimited	2	Windows	2862230000
PWEB-SCADA-RT-PRO/5	Unlimited	5	Windows	2862240000
PWEB-SCADA-RT-PRO/10	Unlimited	10	Windows	2862250000
PWEB-SCADA-RT-PRO/20	Unlimited	20	Windows	2875900000
Embedded Systems runtime license for u-control studio				
PWEB-ES-RT-50/2	50	2	Embedded systems	2857250000
PWEB-ES-RT-50/5	50	5	Embedded systems	2857260000
PWEB-ES-RT-50/10	50	10	Embedded systems	2857270000
PWEB-ES-RT-100/2	100	2	Embedded systems	2857280000
PWEB-ES-RT-100/5	100	5	Embedded systems	2857290000
PWEB-ES-RT-100/10	100	10	Embedded systems	2857300000
PWEB-ES-RT-500/2	500	2	Embedded systems	2857310000
PWEB-ES-RT-500/5	500	5	Embedded systems	2857320000
PWEB-ES-RT-500/10	500	10	Embedded systems	2857330000
PWEB-ES-RT-1000/2	1000	2	Embedded systems	2857340000
PWEB-ES-RT-1000/5	1000	5	Embedded systems	2857350000
PWEB-ES-RT-1000/10	1000	10	Embedded systems	2857360000
PWEB-ES-RT-2000/2	2000	2	Embedded systems	2857380000
PWEB-ES-RT-2000/5	2000	5	Embedded systems	2857390000
PWEB-ES-RT-2000/10	2000	10	Embedded systems	2857400000
PWEB-ES-RT-5000/2	5000	2	Embedded systems	2875320000
PWEB-ES-RT-5000/5	5000	5	Embedded systems	2875330000
PWEB-ES-RT-5000/10	5000	10	Embedded systems	2875340000
Runtime licenses for u-control				
U-CREATE-PROCON-WEB-RT-ES-2000	2000	2	u-control	2708630000

Continue Softwaretools

Continue Softwaretools	u-link Remote Access Service	H.2
	Automated Machine Learning	H.4
	Energy management and Industrial IoT	H.6

u-link Remote Access Service – one tool for all cases

Advanced functions for convenient remote access management

The remote maintenance of machines and system facilitates is often laborious and time-consuming. In addition, there is the demand for a targeted and secured functional connection to the associated IT systems. For many users these two challenges are a major obstacle for the global connection of systems.

u-link guarantees fast and secure access to machines and system facilitates and at the same time enables efficient management of production facilities, user clients, access rights or firmware versions. The intuitive u-link Web portal can be configured quickly and easily without expert knowledge and adapt it to specific processes. Secured servers in Europe provide a online platform that monitors the conformity between different IT systems during remote maintenance.

H



Individual system management

u-link can manage users and groups as well as their access rights according to individual specifications. These include group allocation and access permission to production facilities.



Low configuration effort

With the intuitive user interface and without specific IT knowledge, you can easily connect routers and clients to each other. With u-link, you can quickly establish a several systems network.



Secure remote access and remote diagnosis

Remote access to machines and systems is provided worldwide everywhere via secure VPN connection. The high availability of the servers grants secure access to your systems at all times.



Status monitoring and status message

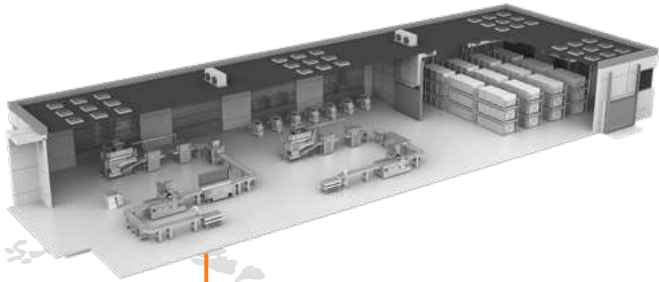
Weidmüller Heartbeat can be used to report the availability of a router to u-link. It facilitates status monitoring and enables status messages from the installed router.

Remote Access head office of manufacturers

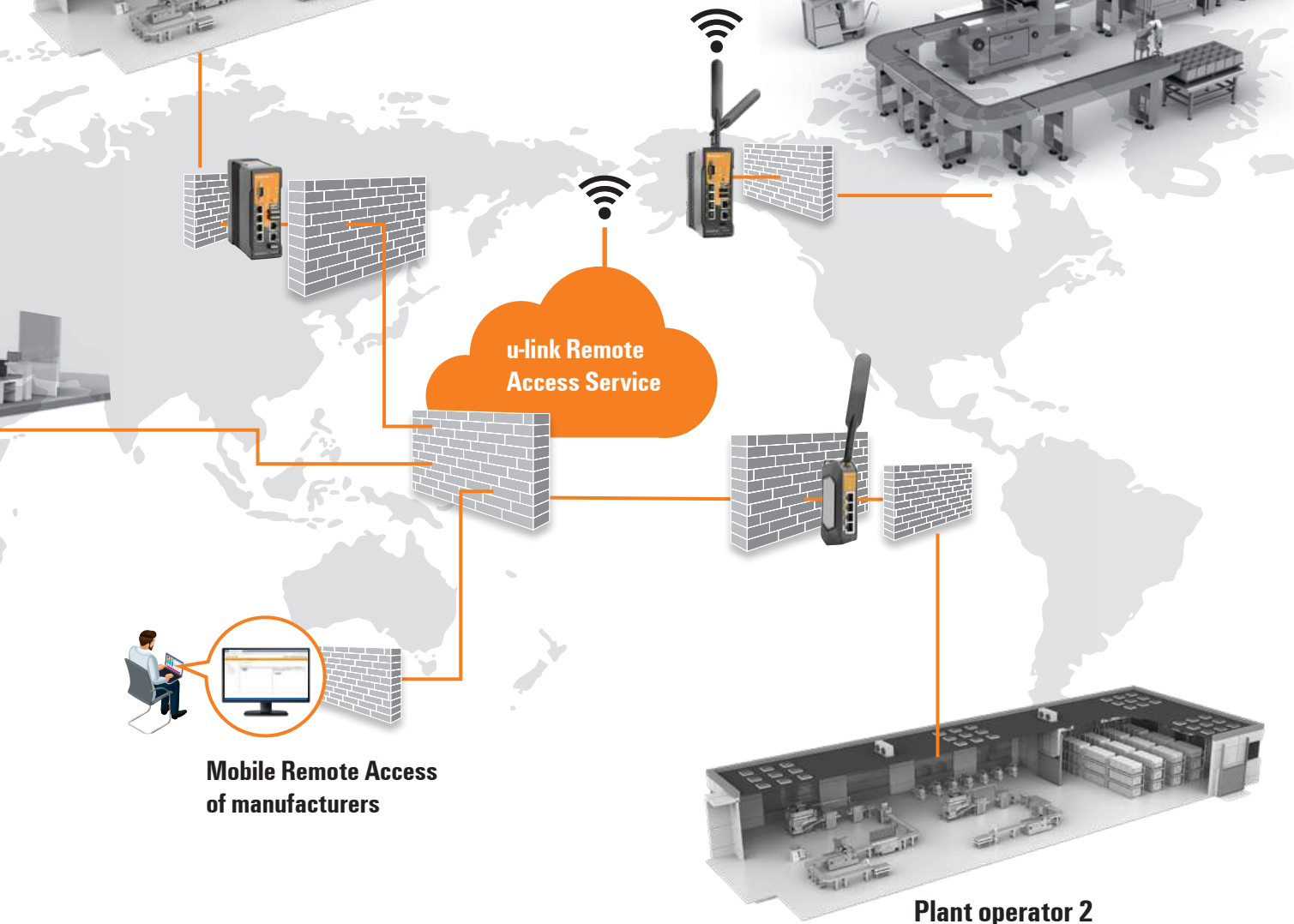
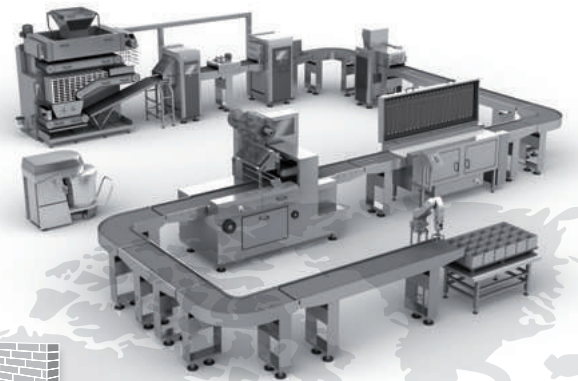


u-link.weidmueller.com

Plant operator 3



Plant operator 1



u-link Remote Access Service

Mobile Remote Access of manufacturers

H

Weidmüller Industrial AutoML

The most important facts at a glance

Build and deploy end-to-end machine learning model solutions faster. You only need your domain knowledge!

With Weidmüller Industrial AutoML, you can easily use advanced analytic functions to optimise operations, improve product quality and enable new business models. As a machine or process expert, you can build and run machine learning models quickly and easily without expert knowledge in data science. As machine builder, the AutoML tool enables you to transform your data and domain knowledge into ML models that add value to your business. In manufacturing environments, the models can be used in order to provide machine operators with real-time analysis and insight during operation, for example. The tool consists of 2 modules: ModelBuilder, which is used to build the models, and ModelRuntime, which is used to run and configure the models.



H

The benefits for you



Accelerated innovation

Leverage your existing machine data and domain knowledge and benefit directly from advanced analytics. Maintain sovereignty over your own data.



End-to-end solution

Build and continuously improve ML models with AutoML ModelBuilder. Make these ML models run with AutoML ModelRuntime, on-premises or in the cloud.



Build customer relationships and new business models

Increase customer satisfaction with improved products and services. Get a better understanding of your customers' needs.

Benefit from Machine Learning without prior knowledge in data science

Weidmüller Industrial AutoML in a two-minute animation - get a compact overview, a brief explanation of how it works and the key benefits.



Weidmüller Industrial AutoML ModelBuilder

From data to model in just a few steps

Feature of the ModelBuilder

The AutoML service is available as a cloud-based solution. On the basis of prepared data, the user is guided through the following essential building blocks of the tool.



- Import and explore your machine and process data
- Assess your data based on automatically generated quality indicators (e.g. missing values)
- Enrich your data by creating custom features
- Contextualize your data e.g. by defining what's normal behavior and what isn't
- Choose the kind of machine learning model to create e.g. anomaly detection or classification
- The tool then automates the model creation process, including feature engineering, required preprocessing and post processing operations
- Select the most appropriate model of those created, based on criteria such as model performance and plausibility based on model explanation

H

Weidmüller Industrial AutoML ModelRuntime

For flexible use in the cloud or on-premise

Features of ModelRuntime

AutoML ModelRuntime makes it easy for an organization's machine or process experts to bring ML models directly into the application - with complete flexibility in the cloud or on-premise.

- Deploy your models where you need them: on-premise or in the cloud
- Connect your machine to ModelRuntime by configuring data sources e.g. a database
- Import the created models and assign them to the specific machine. Multiple models can be used for the same machine
- Schedule the model execution according to your requirements
- Visualize results using the embedded GUI
- Use and configure ModelRuntime programmatically by using the provided interfaces
- Put model results into actions by importing model outputs into the existing machine or manufacturing systems



Energy Management and process optimization

Two pieces of the puzzle for your Industrial IoT

Are you already networking your machines, systems and processes? With ResMa® (resource management), we transform your individual data points into a coherent overall picture. This transparency enables you to track your business more sustainably and economically. No matter whether it's for local or global production or in the branch business. Prepare energy data in compliance with ISO 50001 and reduce wasted energy. That's our mission!

The good news: if the networking or the energy measuring points do not exist yet, we also have a variety of solutions in our portfolio. We'll approach your project individually and discuss with you which solutions make sense. This flexibility ensures a long-term concept consisting of a wide variety of expansion stages.



ResMa® Compact

Offers the economical introduction of a ready-installed solution on an industrial PC. The variation enables you to connect counters from a wide range of manufacturers. Obtain unrestricted evaluation options.



ResMa® Server

A scalable solution for installation on a dedicated or virtual server. With this variation, you have no restrictions on the range of functions and receive extensive options for integrating third-party systems. In addition, the ResMa server has a plug-in concept for customer-specific extensions.

H

So that you can concentrate on your business



Monitoring

Monitoring and optimisation of consumption values on a dashboard.



Data acquisition

Acquisition of relevant data points via existing controls as well as new measurement technology and sensors.



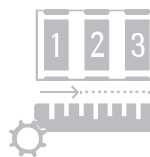
Reports

Create energy costs or order- and batch-oriented recording easily and regularly.



System integration

ERP | MES | integrate other databases - our connectors make it possible.



Scalable

Data points and range of functions can be flexibly expanded at any time.



ISO 50001 certified

Certified by the TÜV-Süd and listed at the BaFa. Thus up to 40% eligible and tax-deductible.

Service and support

Service and support	Service connects - worldwide	V.2
	Engineering services and customised products	V.3
	easyConnect - Your Industrial Service Platform	V.4
	Support Center	V.6
	Additional support services	V.7
	Weidmüller Configurator: intuitive, uncomplicated & fast digital engineering	V.8

Our expertise for your requirements

Service connects – worldwide



Automation technology functions are becoming more complex in a globally-oriented world facing ambitious targets in terms of energy efficiency and smart production. We are your equal partners for the best connections in Industrial Connectivity.

Our personal support answers all questions reliably and expertly. During planning, installation or operation our service and support offer is your best companion.

In short: Weidmüller's global service combines our expertise with your requirements.

V



Your way to our service
www.weidmueller.com/service

Engineering services and customised products

Automation engineering and connectivity consulting belongs to our services as well as assembly of engineered products. We also support the process from the idea to the product with our Weidmüller Configurator and the Configure-to-Order process.



Consulting and engineering

The challenge for you is reducing costs and increasing efficiency. This requires intelligent, individual solutions. Whether it is modified products, pre-fitted mounting rails or complete small cabinets – our application centres provide a highly qualified custom-made engineering and production service.



Connectivity Consulting

Increase your competitiveness - supported by our experts. Our drive is to optimise your competitiveness. That's why our team of experts supports you in significantly increasing your efficiency in electrical machine design and control cabinet construction. With proven products and services from the Weidmüller portfolio – and with the experience gained from over 300 projects worldwide.



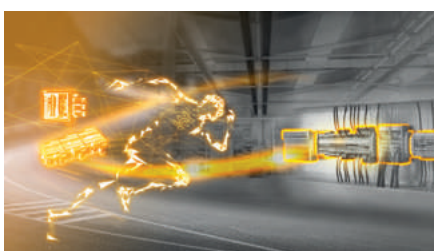
Assembled terminal rails - Flexibly designed to suit your requirements

Your processes in panel building have to be fast, flexible and productive. This is the only way you can cut your costs and increase efficiency. Depending on the application in question, you will have different requirements with respect to the engineering service, delivery speed and flexibility to be provided.



Modified and assembled enclosures - Competitive advantages included

To compete internationally, your plants need to satisfy high standards of safety, quality and performance. The smart combination of consultation, application expertise and industry know-how is our key to finding a custom-fit solution for your application. Reduce costs and increase efficiency.



Fast Delivery Service - Your ideas deserve a quick realisation

Obtain offers 24/7 and within minutes, including directly orderable article numbers with our Fast Delivery Service. The Weidmüller Configurator (WMC) for planning and configuration is key for consistent processes. Dispatch your orders in 5 days. Assemble individual terminal strips and enclosures from batch size 1!

Your ticket to the world of digital service

easyConnect – Your Industrial Service Platform



Our cloud-based platform is your ticket to the world of digital services from Weidmüller, and the intuitive and future-proof tool for your way to the Industrial IoT. Realise your use cases easily, consistently and without any relevant prior knowledge, thanks to the perfect interaction of platform, devices and diverse software services.

As an open, modular and perfectly integrable system, the platform is your enabler for a wide range of use cases. Increase your efficiency and unleash your full innovation potential with easyConnect.

V



Interested in using easyConnect?

Learn how to get started with easyConnect step-by-step.

www.weidmueller.com/easyconnect

Why should you use easyConnect?

- You want to enter your digital transformation step-by-step?
- You want to make the step into Industrial IOT, but have no or little IT expertise?
- You want to use your digital data for smart & scalable services?
- You want to offer digital services (such as customised dashboard) to your customers?
- You want to improve your service offering and efficiency, e.g. through remote access?
- You feel Weidmüller's digital services are interesting, but you have „your cloud“ already?



Weidmüller comes up with the solution: easyConnect, the new digitalisation platform. It bundles Weidmüller's digital services at one place in the cloud and connects them with various Weidmüller devices.

With easyConnect you start digitalising your application step-by-step without ballast in a secure way.

The following services are initially available on easyConnect:



Device management

Adding and managing cloud-connected devices is typically the first step in any Industrial IoT use case.

Asset management

The asset management service is a modelling tool that allows users to model their assets and processes and link them to relevant time series data.

Remote access (u-link)

u-link guarantees a quick and secure access to machines and plants while also allowing for efficient management.

Data visualisation

easyConnect data visualisation services enable users to view, monitor and display live and historical data.

AutoML

With Weidmüller Industrial AutoML, you can optimize operations, increase product quality and develop new business models by benefiting from advanced analytics.

Expand the possibilities of our products

Our Support Center provides you with comprehensive, clear and personal assistance



Receive fast and intuitive support to get the most out of our products in your application. In our new Support Center you can search or navigate to the many application notes, product information, video tutorials or software downloads of our products.

- **Everything at a glance** – One central support hub, where all relevant information is available
- **Powerful search** – Provides filter functions for various types of information and products
- **Different views and navigations** – Content provided in views product information, engineering support or software downloads
- **More than 170,000 downloads** – Application notes, video tutorials, templates and examples, user documentation, engineering data, ...
- **Personal contact** – Direct access to your personal technical contact in your country



Explore the world of our new Support Center
support.weidmueller.com

Additional support services



Training and Webinars

Stay tuned in a world that is accelerating. In our entertaining interactive webinars, we offer you the opportunity to learn about new products and technology topics and to interact with our experts.



Repairs and replacement parts

We offer repair and components for our Workplace Solutions as well as assistance for other Weidmüller products. Find out how our experts can help you with your repair request.



Security advisory board

Our Product Security Incident Response Team (PSIRT) continuously informs you about possible security-related vulnerabilities of our products.



Engineering data

For the quick integration of our products into your design, there are a lot of digital product data for engineering systems like EPLAN, Zuken E3.series, WSCAD and many others available for download.



Product change notifications

Technical modifications of our products always available online.



Technical product catalogues

Technical data for our entire program in Industrial Connectivity for download in PDF-format.

From the idea to the finished solution

Weidmüller Configurator: intuitive, uncomplicated & fast digital engineering

Digital engineering can be so easy – with the Weidmüller Configurator!

It's a **free to use** software application to easily configure industrial solutions. It features more than **12,000 articles** from multiple product families including rail-mounted components, industrial and ex-certified enclosures, Heavy Duty Connectors, remote I/O-systems and PCB connectors.

Unleash the full power of digital engineering:

Our application wizards help you choose the right articles.

Place, mark or modify them to your needs and get your solution **visualized in 3D** – what you see is what you get!

Our promise: Speed up your solution planning process by up to 70%!

Your benefits:

- **Proven configuration designs in real 3D:** The plausibility and collision check with the complete digital documentation ensures that you can rely 100% on your configuration.
- **Seamless E-CAD Roundtrip:** Interfaces enable the simple exchange of product data between the WMC and all common engineering tools, such as Zuken E3 or EPLAN Electric P8.
- **Sample Service & Fast Delivery Service:** to support your design-in process, we offer a **3-day sample service** for many products. Inquire them directly online – for free!
You want your solution right away? Our **Fast Delivery Service** guarantees delivery of individually assembled terminal strips or enclosures within a few days.

Get started online now!

The Weidmüller Configurator makes solution planning easy. Visit our website for more information, tutorials and download it for free:



www.weidmueller.com/wmc

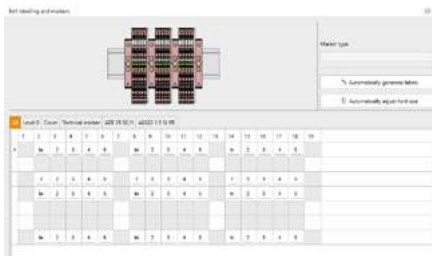


or register on easyconnect.weidmueller.com and use it online.



Wizards:

Design complete applications within few clicks – even without detailed product knowledge – for signal wiring, load monitoring, instrument transformers, enclosures, remote I/O-systems and many more.



Assistants:

Finalize your solutions with supporting assistants to add cross-connectors, markers or colors and verify the faultlessness. Automatic modes save valuable time!



1-click documentation:

Get assembly drawings for production – only 1 click. Bill of material – only 1 click. The complete solution documentation including all component data sheets – you’re right, only 1 click!



Index

Index	Index Type	X.2
	Index Order No.	X.8
	Addresses worldwide	X.16

Type	Order No.	Page
SAIL-M12G-5-1.5U	9457610150	D.7
SAIL-M12G-5-1.5U	9457610150	D.8
SAIL-M12W-5-1.5U	9457670150	D.4
SAIL-M12W-5-1.5U	9457670150	D.5
SAIL-M12W-5-1.5U	9457670150	D.6
SAIL-M12W-5-1.5U	9457670150	D.7
SAIL-M12W-5-1.5U	9457670150	D.8
SAIL-M8BG-3-1.5U	9457450150	D.21
SAIL-M8BG-3-1.5UGE	1093190150	D.21
SAIL-M8BG-3-1.5V	1927240150	D.21
SAIL-M8BG-4-1.5U	9457850150	D.21
SAIL-M8BG-4-1.5UGE	1093200150	D.21
SAIL-M8BG-4-1.5V	1927260150	D.21
SAIL-M8BW-3-1.5U	9457380150	D.21
SAIL-M8BW-3-1.5UGE	1093220150	D.21
SAIL-M8BW-3-1.5V	1927320150	D.21
SAIL-M8BW-3L1.5U	9457460150	D.22
SAIL-M8BW-3L1.5UGE	1093210150	D.22
SAIL-M8BW-3L1.5V	1927350150	D.22
SAIL-M8BW-4-1.5U	9456150150	D.21
SAIL-M8BW-4-1.5UGE	1093240150	D.21
SAIL-M8BW-4-1.5V	1927340150	D.21
SAIL-M8BW-4L1.5U	1906400150	D.22
SAIL-M8BW-4L1.5UGE	1093230150	D.22
SAIL-M8BW-4L1.5V	1927360150	D.22
SAIL-URPM12G-2L-1.5U	1475130150	D.19
SAIL-URPM12G-4-1.5U	1475320150	D.19
SAIL-URPM12G-C-1.5U	1475070150	D.19
SAIL-URPM12G-C-1.5V	1475280150	D.19
SAIL-URPM12G-O-1.5U	1475090150	D.19
SAIL-URPM12G-O-1.5V	1475300150	D.19
SAIL-URPM12W-2L-1.5U	1475450150	D.19
SAIL-URPM12W-2L-1.5V	1475500150	D.19
SAIL-URPM12W-4-1.5U	1475140150	D.19
SAIL-URPM12W-4-1.5V	1475330150	D.19
SAIL-URPM12W-C-1.5U	1475080150	D.19
SAIL-URPM12W-C-1.5V	1475290150	D.19
SAIL-URPM12W-O-1.5U	1475120150	D.19
SAIL-URPM12W-O-1.5V	1475310150	D.19
SAIL-URPM8G-3-1.5U	1475160150	D.19
SAIL-URPM8G-3-1.5V	1475340150	D.19
SAIL-URPM8W-2L-1.5U	1475470150	D.19
SAIL-URPM8W-2L-1.5V	1475510150	D.19
SAIL-URPM8W-3-1.5U	1475170150	D.19
SAIL-URPM8W-C-1.5U	1475350150	D.19
SAIL-URZM12G-C-1.5U	1475030150	D.19
SAIL-URZM12W-C-1.5U	1475040150	D.19
SAIL-URZM8G-3-1.5U	1475050150	D.19
SAIL-URZM8W-3-1.5U	1475060150	D.19
SAI-SCREWTY BOX	1939180000	D.20
SAI-SCREWTY BOX	1939180000	D.21
SAI-SCREWTY BOX	1939180000	D.22
SAI-SK M8	1802760000	D.13
SAI-SK M8	1802760000	D.14
SAI-SK M8	1802760000	D.15
SAI-SK M8	1802760000	D.16
SAI-SK M8	1802760000	D.17
SAI-SK-M12-UNI 2029	2330260000	D.13
SAI-SK-M12-UNI 2029	2330260000	D.14
SAI-SK-M12-UNI 2029	2330260000	D.15
SAI-SK-M12-UNI 2029	2330260000	D.16
SAI-SK-M12-UNI 2029	2330260000	D.17
SAISM-4/8S-M12-4P-D-CDD	1892120000	D.4
SAISM-4/8S-M12-4P-D-CDD	1892120000	D.5
SAISM-4/8S-M12-4P-D-CDD	1892120000	D.6
SCREWTY SET_DM	1920000000	D.19
SCREWTY SET_DM	1920000000	D.23
SCREWTY-M12-DM	1900001000	D.20
SCREWTY-M12-DM	1900001000	D.21
SCREWTY-M12-DM	1900001000	D.22
SD-CARD-8GB	2684400000	A.4
SD-CARD-8GB	2684400000	A.5
SD-CARD-8GB	2684400000	A.6
STRIPPER 6-16 RED-LINE	9203110000	D.20
STRIPPER 6-16 RED-LINE	9203110000	D.21
STRIPPER 6-16 RED-LINE	9203110000	D.22

T

THM UR20 GE	1429910000	A.4
THM UR20 GE	1429910000	A.5
THM UR20 GE	1429910000	A.6
THM UR20 GE	1429910000	C.101
THM UR20 GE	1429910000	C.102
THM UR20 GE	1429910000	C.103
THM UR20 GE	1429910000	C.104
THM UR20 GE	1429910000	C.105
THM UR20 GE	1429910000	C.106
THM UR20 GE	1429910000	C.107
THM UR20 GE	1429910000	C.108
THM UR20 GE	1429910000	C.109
THM UR20 GE	1429910000	C.11
THM UR20 GE	1429910000	C.111
THM UR20 GE	1429910000	C.112
THM UR20 GE	1429910000	C.113
THM UR20 GE	1429910000	C.114
THM UR20 GE	1429910000	C.115
THM UR20 GE	1429910000	C.116
THM UR20 GE	1429910000	C.117

Type	Order No.	Page
THM UR20 GE	1429910000	C.118
THM UR20 GE	1429910000	C.119
THM UR20 GE	1429910000	C.121
THM UR20 GE	1429910000	C.122
THM UR20 GE	1429910000	C.123
THM UR20 GE	1429910000	C.124
THM UR20 GE	1429910000	C.125
THM UR20 GE	1429910000	C.126
THM UR20 GE	1429910000	C.127
THM UR20 GE	1429910000	C.129
THM UR20 GE	1429910000	C.13
THM UR20 GE	1429910000	C.130
THM UR20 GE	1429910000	C.133
THM UR20 GE	1429910000	C.134
THM UR20 GE	1429910000	C.137
THM UR20 GE	1429910000	C.13
THM UR20 GE	1429910000	C.19
THM UR20 GE	1429910000	C.17
THM UR20 GE	1429910000	C.19
THM UR20 GE	1429910000	C.20
THM UR20 GE	1429910000	C.23
THM UR20 GE	1429910000	C.25
THM UR20 GE	1429910000	C.23
THM UR20 GE	1429910000	C.27
THM UR20 GE	1429910000	C.29
THM UR20 GE	1429910000	C.31
THM UR20 GE	1429910000	C.33
THM UR20 GE	1429910000	C.35
THM UR20 GE	1429910000	C.37
THM UR20 GE	1429910000	C.42
THM UR20 GE	1429910000	C.38
THM UR20 GE	1429910000	C.39
THM UR20 GE	1429910000	C.40
THM UR20 GE	1429910000	C.41
THM UR20 GE	1429910000	C.43
THM UR20 GE	1429910000	C.42
THM UR20 GE	1429910000	C.48
THM UR20 GE	1429910000	C.49
THM UR20 GE	1429910000	C.5
THM UR20 GE	1429910000	C.50
THM UR20 GE	1429910000	C.51
THM UR20 GE	1429910000	C.53
THM UR20 GE	1429910000	C.58
THM UR20 GE	1429910000	C.59
THM UR20 GE	1429910000	C.60
THM UR20 GE	1429910000	C.61
THM UR20 GE	1429910000	C.62
THM UR20 GE	1429910000	C.63
THM UR20 GE	1429910000	C.64
THM UR20 GE	1429910000	C.65
THM UR20 GE	1429910000	C.66
THM UR20 GE	1429910000	C.67
THM UR20 GE	1429910000	C.69
THM UR20 GE	1429910000	C.7
THM UR20 GE	1429910000	C.72
THM UR20 GE	1429910000	C.73
THM UR20 GE	1429910000	C.75
THM UR20 GE	1429910000	C.76
THM UR20 GE	1429910000	C.78
THM UR20 GE	1429910000	C.77
THM UR20 GE	1429910000	C.72
THM UR20 GE	1429910000	C.79
THM UR20 GE	1429910000	C.80
THM UR20 GE	1429910000	C.81
THM UR20 GE	1429910000	C.81
THM UR20 GE	1429910000	C.82
THM UR20 GE	1429910000	C.83
THM UR20 GE	1429910000	C.84
THM UR20 GE	1429910000	C.85
THM UR20 GE	1429910000	C.86
THM UR20 GE	1429910000	C.87
THM UR20 GE	1429910000	C.87
THM UR20 GE	1429910000	C.89
THM UR20 GE	1429910000	C.9
THM UR20 GE	1429910000	C.90
THM UR20 GE	1429910000	C.91
THM UR20 GE	1429910000	C.92
THM UR20 GE	1429910000	C.92
THM UR20 GE	1429910000	C.93
THM UR20 GE	1429910000	C.94
THM UR20 GE	1429910000	C.97
THM UR20 GE	1429910000	C.99
THM UR20 WS	1429420000	A.4
THM UR20 WS	1429420000	A.5
THM UR20 WS	1429420000	A.6
THM UR20 WS	1429420000	C.101
THM UR20 WS	1429420000	C.102
THM UR20 WS	1429420000	C.103
THM UR20 WS	1429420000	C.104
THM UR20 WS	1429420000	C.105
THM UR20 WS	1429420000	C.106
THM UR20 WS	1429420000	C.107
THM UR20 WS	1429420000	C.108
THM UR20 WS	1429420000	C.109
THM UR20 WS	1429420000	C.11
THM UR20 WS	1429420000	C.111
THM UR20 WS	1429420000	C.112

Type	Order No.	Page
THM UR20 WS	1429420000	C.113
THM UR20 WS	1429420000	C.114
THM UR20 WS	1429420000	C.115
THM UR20 WS	1429420000	C.116
THM UR20 WS	1429420000	C.117
THM UR20 WS	1429420000	C.118
THM UR20 WS	1429420000	C.119
THM UR20 WS	1429420000	C.121
THM UR20 WS	1429420000	C.122
THM UR20 WS	1429420000	C.123
THM UR20 WS	1429420000	C.124
THM UR20 WS	1429420000	C.125
THM UR20 WS	1429420000	C.126
THM UR20 WS	1429420000	C.127
THM UR20 WS	1429420000	C.129
THM UR20 WS	1429420000	C.13
THM UR20 WS	1429420000	C.130
THM UR20 WS	1429420000	C.133
THM UR20 WS	1429420000	C.134
THM UR20 WS	1429420000	C.137
THM UR20 WS	1429420000	C.15
THM UR20 WS	1429420000	C.19
THM UR20 WS	1429420000	C.17
THM UR20 WS	1429420000	C.19
THM UR20 WS	1429420000	C.20
THM UR20 WS	1429420000	C.23
THM UR20 WS	1429420000	C.25
THM UR20 WS	1429420000	C.27
THM UR20 WS	1429420000	C.29
THM UR20 WS	1429420000	C.31
THM UR20 WS	1429420000	C.33
THM UR20 WS	1429420000	C.35
THM UR20 WS	1429420000	C.37
THM UR20 WS	1429420000	C.38
THM UR20 WS	1429420000	C.39
THM UR20 WS	1429420000	C.40
THM UR20 WS	1429420000	C.41
THM UR20 WS	1429420000	C.42
THM UR20 WS	1429420000	C.43
THM UR20 WS	1429420000	C.44
THM UR20 WS	1429420000	C.45
THM UR20 WS	1429420000	C.46
THM UR20 WS	1429420000	C.47
THM UR20 WS	1429420000	C.48
THM UR20 WS	1429420000	C.49
THM UR20 WS	1429420000	C.5
THM UR20 WS	1429420000	C.50
THM UR20 WS	1429420000	C.51
THM UR20 WS	1429420000	C.53
THM UR20 WS	1429420000	C.54
THM UR20 WS	1429420000	C.55
THM UR20 WS	1429420000	C.56
THM UR20 WS	1429420000	C.57
THM UR20 WS	1429420000	C.58
THM UR20 WS	1429420000	C.59
THM UR20 WS	1429420000	C.60
THM UR20 WS	1429420000	C.61
THM UR20 WS	1429420000	C.62
THM UR20 WS	1429420000	C.63
THM UR20 WS	1429420000	C.64
THM UR20 WS	1429420000	C.65
THM UR20 WS	1429420000	C.66
THM UR20 WS	1429420000	C.67
THM UR20 WS	1429420000	C.69
THM UR20 WS	1429420000	C.7
THM UR20 WS	1429420000	C.72
THM UR20 WS	1429420000	C.73
THM UR20 WS	1429420000	C.75
THM UR20 WS	1429420000	C.76
THM UR20 WS	1429420000	C.77
THM UR20 WS	1429420000	C.72
THM UR20 WS	1429420000	C.79
THM UR20 WS	1429420000	C.80
THM UR20 WS	1429420000	C.81
THM UR20 WS	1429420000	C.82
THM UR20 WS	1429420000	C.83
THM UR20 WS	1429420000	C.84
THM UR20 WS	1429420000	C.85
THM UR20 WS	1429420000	C.86
THM UR20 WS	1429420000	C.87
THM UR20 WS	1429420000	C.89
THM UR20 WS	1429420000	C.9
THM UR20 WS	1429420000	C.90
THM UR20 WS	1429420000	C.91
THM UR20 WS	1429420000	C.92
THM UR20 WS	1429420000	C.93
THM UR20 WS	1429420000	C.94
THM UR20 WS	1429420000	C.97
THM UR20 WS	1429420000	C.99
TMH 18 MC NE GE	1718431687	D.20
TMH 18 MC NE GE	1718431687	D.21
TMH 18 MC NE GE	1718431687	D.22
TMH 18 MC NE WS	1718431044	D.20
TMH 18 MC NE WS	1718431044	D.21
TMH 18 MC NE WS	1718431044	D.22

U

UC20-SL2000-EC	2674520000	A.4
----------------	------------	-----

Type	Order No.	Page
UC20-SL2000-EC-CAN	2674620000	A.5
UC20-SL2000-OLAC-EC	2638920000	A.4

Type	Order No.	Page
UR20-2FCNT-100	1508080000	C.136
UR20-2PVM-PN-0.5A	1315600000	C.135
UR20-2PVM-PN-0.5A	1315600000	C.136
UR20-2PVM-PN-0.5A	1315600000	C.71
UR20-2PVM-PN-2A	1315610000	C.135
UR20-2PVM-PN-2A	1315610000	C.136
UR20-2PVM-PN-2A	1315610000	C.72
UR20-3EM-230V-AC	2007420000	C.135
UR20-3EM-230V-AC	2007420000	C.136
UR20-3EM-230V-AC	2007420000	C.99
UR20-4AI-HART-16-DIAG	2617520000	C.135
UR20-4AI-HART-16-DIAG	2617520000	C.136
UR20-4AI-HART-16-DIAG	2617520000	C.94
UR20-4AI-RHS-16-DIAG	2001670000	C.135
UR20-4AI-RHS-16-DIAG	2001670000	C.136
UR20-4AI-RHS-16-DIAG	2001670000	C.93
UR20-4AI-RTD-DIAG	1315700000	C.135
UR20-4AI-RTD-DIAG	1315700000	C.136
UR20-4AI-RTD-DIAG	1315700000	C.89
UR20-4AI-RTD-HP-DIAG	2456540000	C.135
UR20-4AI-RTD-HP-DIAG	2456540000	C.136
UR20-4AI-RTD-HP-DIAG	2456540000	C.90
UR20-4AI-TC-DIAG	1315710000	C.135
UR20-4AI-TC-DIAG	1315710000	C.136
UR20-4AI-TC-DIAG	1315710000	C.92
UR20-4AI-UI-12	1394390000	C.135
UR20-4AI-UI-12	1394390000	C.136
UR20-4AI-UI-12	1394390000	C.76
UR20-4AI-UI-16	1315620000	C.135
UR20-4AI-UI-16	1315620000	C.136
UR20-4AI-UI-16	1315620000	C.77
UR20-4AI-UI-16-DIAG	1315690000	C.135
UR20-4AI-UI-16-DIAG	1315690000	C.136
UR20-4AI-UI-16-DIAG	1315690000	C.79
UR20-4AI-UI-16-DIAG-HD	1506910000	C.135
UR20-4AI-UI-16-DIAG-HD	1506910000	C.136
UR20-4AI-UI-16-DIAG-HD	1506910000	C.82
UR20-4AI-UI-16-HD	1506920000	C.135
UR20-4AI-UI-16-HD	1506920000	C.136
UR20-4AI-UI-16-HD	1506920000	C.81
UR20-4AI-UI-DIF-16-DIAG	1993880000	C.135
UR20-4AI-UI-DIF-16-DIAG	1993880000	C.136
UR20-4AI-UI-DIF-16-DIAG	1993880000	C.86
UR20-4AI-UI-DIF-32-DIAG	2544660000	C.87
UR20-4AI-UI-HSD-16-DIAG	2566960000	C.135
UR20-4AI-UI-HSD-16-DIAG	2566960000	C.136
UR20-4AI-UI-HSD-16-DIAG	2566960000	C.80
UR20-4AO-UI-16	1315680000	C.102
UR20-4AO-UI-16	1315680000	C.135
UR20-4AO-UI-16	1315680000	C.136
UR20-4AO-UI-16-DIAG	1315730000	C.106
UR20-4AO-UI-16-DIAG	1315730000	C.135
UR20-4AO-UI-16-DIAG	1315730000	C.136
UR20-4AO-UI-16-DIAG-HD	1506930000	C.109
UR20-4AO-UI-16-DIAG-HD	1506930000	C.135
UR20-4AO-UI-16-DIAG-HD	1506930000	C.136
UR20-4AO-UI-16-HD	1510690000	C.135
UR20-4AO-UI-16-HD	1510690000	C.136
UR20-4AO-UI-16-M	2453880000	C.103
UR20-4AO-UI-16-M	2453880000	C.135
UR20-4AO-UI-16-M-DIAG	2453870000	C.107
UR20-4AO-UI-16-M-DIAG	2453870000	C.135
UR20-4AO-UI-16-M-DIAG	2453870000	C.136
UR20-4COM-IO-LINK	1315740000	C.119
UR20-4COM-IO-LINK	1315740000	C.135
UR20-4COM-IO-LINK	1315740000	C.136
UR20-4DI-2W-230V-AC	1550070000	C.135
UR20-4DI-2W-230V-AC	1550070000	C.136
UR20-4DI-2W-230V-AC	1550070000	C.51
UR20-4DI-400-PN-FS0E-V2	2464580000	C.121
UR20-4DI-400-PN-FS0E-V2	2464580000	C.135
UR20-4DI-400-PN-FS0E-V2	2464580000	C.136
UR20-4DI-400-PN-FSPS-V2	2464570000	C.123
UR20-4DI-400-PN-FSPS-V2	2464570000	C.135
UR20-4DI-400-PN-FSPS-V2	2464570000	C.136
UR20-4DI-N	1315350000	C.135
UR20-4DI-N	1315350000	C.136
UR20-4DI-N	1315350000	C.46
UR20-4DI-P	1315170000	C.135
UR20-4DI-P	1315170000	C.136
UR20-4DI-P	1315170000	C.37
UR20-4DI-P-3W	2009360000	C.135
UR20-4DI-P-3W	2009360000	C.136
UR20-4DI-P-3W	2009360000	C.38
UR20-4DI-P-TS	1460150000	C.135
UR20-4DI-P-TS	1460150000	C.136
UR20-4DI-P-TS	1460150000	C.45
UR20-4DI-ISO-4A	2457250000	C.135
UR20-4DI-ISO-4A	2457250000	C.136
UR20-4DI-ISO-4A	2457250000	C.65
UR20-4DI-N	1315410000	C.135
UR20-4DI-N	1315410000	C.136
UR20-4DI-N-2A	1315420000	C.135
UR20-4DI-N-2A	1315420000	C.136
UR20-4DI-N-2A	1315420000	C.61
UR20-4DI-N-2A	1315420000	C.135

Type	Order No.	Page
UR20-4DO-P	1315220000	C.136
UR20-4DO-P	1315220000	C.53
UR20-4DO-P-2A	1315230000	C.135
UR20-4DO-P-2A	1315230000	C.136
UR20-4DO-P-2A	1315230000	C.54
UR20-4DO-PN-2A	1394420000	C.135
UR20-4DO-PN-2A	1394420000	C.136
UR20-4DO-PN-2A	1394420000	C.55
UR20-4RO-CD-255	1315550000	C.135
UR20-4RO-CD-255	1315550000	C.136
UR20-4RO-CD-255	1315550000	C.67
UR20-4RO-SSR-255	1315540000	C.135
UR20-4RO-SSR-255	1315540000	C.136
UR20-4RO-SSR-255	1315540000	C.66
UR20-8AIH-16-DIAG-HD	1315720000	C.135
UR20-8AIH-16-DIAG-HD	1315720000	C.136
UR20-8AIH-16-DIAG-HD	1315720000	C.84
UR20-8AIH-16-HD	1315650000	C.135
UR20-8AIH-16-HD	1315650000	C.136
UR20-8AIH-16-HD	1315650000	C.83
UR20-8AIH-PLC-INT	1315670000	C.135
UR20-8AIH-PLC-INT	1315670000	C.136
UR20-8AIH-PLC-INT	1315670000	C.85
UR20-8AIRTD-DIAG-2W	2555940000	C.135
UR20-8AIRTD-DIAG-2W	2555940000	C.136
UR20-8AIRTD-DIAG-2W	2555940000	C.91
UR20-8DIHSO-2W	2457240000	C.135
UR20-8DIHSO-2W	2457240000	C.136
UR20-8DIHSO-2W	2457240000	C.50
UR20-8DIH-3W	1315370000	C.135
UR20-8DIH-3W	1315370000	C.136
UR20-8DIH-3W	1315370000	C.47
UR20-8DIOP-3W-DIAG	2456530000	C.135
UR20-8DIOP-3W-DIAG	2456530000	C.136
UR20-8DIOP-3W-DIAG	2456530000	C.69
UR20-8DIP-2W	1315180000	C.135
UR20-8DIP-2W	1315180000	C.136
UR20-8DIP-2W	1315180000	C.39
UR20-8DI-P-3W	1394400000	C.135
UR20-8DI-P-3W	1394400000	C.136
UR20-8DI-P-3W	1394400000	C.40
UR20-8DI-P-3W-HD	1315190000	C.135
UR20-8DI-P-3W-HD	1315190000	C.136
UR20-8DI-P-3W-HD	1315190000	C.41
UR20-8DI-PN-FS0E-V2	2464600000	C.122
UR20-8DI-PN-FS0E-V2	2464600000	C.135
UR20-8DI-PN-FS0E-V2	2464600000	C.136
UR20-8DI-PN-FS0E-V2	2464590000	C.124
UR20-8DI-PN-FS0E-V2	2464590000	C.135
UR20-8DI-PN-FS0E-V2	2464590000	C.136
UR20-8DI-PN-FS0E-V2	2464590000	C.124
UR20-8DI-PN-FS0E-V2	2464590000	C.135
UR20-8DI-PN-FS0E-V2	2464590000	C.136
UR20-8DI-PN-FS0E-V2	2464590000	C.101
UR20-8DI-PN-FS0E-V2	2464590000	C.102
UR20-8DI-PN-FS0E-V2	2464590000	C.103
UR20-8DI-PN-FS0E-V2	2464590000	C.104
UR20-8DI-PN-FS0E-V2	2464590000	C.105
UR20-8DI-PN-FS0E-V2	2464590000	C.106
UR20-8DI-PN-FS0E-V2	2464590000	C.107
UR20-8DI-PN-FS0E-V2	2464590000	C.108
UR20-8DI-PN-FS0E-V2	2464590000	C.109
UR20-8DI-PN-FS0E-V2	2464590000	C.110
UR20-8DI-PN-FS0E-V2	2464590000	C.111
UR20-8DI-PN-FS0E-V2	2464590000	C.112
UR20-8DI-PN-FS0E-V2	2464590000	C.113
UR20-8DI-PN-FS0E-V2	2464590000	C.114
UR20-8DI-PN-FS0E-V2	2464590000	C.115
UR20-8DI-PN-FS0E-V2	2464590000	C.116
UR20-8DI-PN-FS0E-V2	2464590000	C.117
UR20-8DI-PN-FS0E-V2	2464590000	C.118
UR20-8DI-PN-FS0E-V2	2464590000	C.119
UR20-8DI-PN-FS0E-V2	2464590000	C.120
UR20-8DI-PN-FS0E-V2	2464590000	C.121
UR20-8DI-PN-FS0E-V2	2464590000	C.122
UR20-8DI-PN-FS0E-V2	2464590000	C.123
UR20-8DI-PN-FS0E-V2	2464590000	C.124
UR20-8DI-PN-FS0E-V2	2464590000	C.125
UR20-8DI-PN-FS0E-V2	2464590000	C.126
UR20-8DI-PN-FS0E-V2	2464590000	C.127
UR20-8DI-PN-FS0E-V2	2464590000	C.128
UR20-8DI-PN-FS0E-V2	2464590000	C.129
UR20-8DI-PN-FS0E-V2	2464590000	C.130
UR20-8DI-PN-FS0E-V2	2464590000	C.131
UR20-8DI-PN-FS0E-V2	2464590000	C.132
UR20-8DI-PN-FS0E-V2	2464590000	C.133
UR20-8DI-PN-FS0E-V2	2464590000	C.134
UR20-8DI-PN-FS0E-V2	2464590000	C.135
UR20-8DI-PN-FS0E-V2	2464590000	C.37
UR20-8DI-PN-FS0E-V2	2464590000	C.38
UR20-8DI-PN-FS0E-V2	2464590000	C.39
UR20-8DI-PN-FS0E-V2	2464590000	C.40
UR20-8DI-PN-FS0E-V2	2464590000	C.41
UR20-8DI-PN-FS0E-V2	2464590000	C.42
UR20-8DI-PN-FS0E-V2	2464590000	C.43
UR20-8DI-PN-FS0E-V2	2464590000	C.44

Type	Order No.	Page
UR20-8DI-PN-FS0E-V2	2464590000	C.135
UR20-8DI-PN-FS0E-V2	2464590000	C.136
UR20-8DI-PN-FS0E-V2	2464590000	C.101
UR20-8DI-PN-FS0E-V2	2464590000	C.102
UR20-8DI-PN-FS0E-V2	2464590000	C.103
UR20-8DI-PN-FS0E-V2	2464590000	C.104
UR20-8DI-PN-FS0E-V2	2464590000	C.105
UR20-8DI-PN-FS0E-V2	2464590000	C.106
UR20-8DI-PN-FS0E-V2	2464590000	C.107
UR20-8DI-PN-FS0E-V2	2464590000	C.108
UR20-8DI-PN-FS0E-V2	2464590000	C.109
UR20-8DI-PN-FS0E-V2	2464590000	C.110
UR20-8DI-PN-FS0E-V2	2464590000	C.111
UR20-8DI-PN-FS0E-V2	2464590000	C.112
UR20-8DI-PN-FS0E-V2	2464590000	C.113
UR20-8DI-PN-FS0E-V2	2464590000	C.114
UR20-8DI-PN-FS0E-V2	2464590000	C.115
UR20-8DI-PN-FS0E-V2	2464590000	C.116
UR20-8DI-PN-FS0E-V2	2464590000	C.117
UR20-8DI-PN-FS0E-V2	2464590000	C.118
UR20-8DI-PN-FS0E-V2	2464590000	C.119
UR20-8DI-PN-FS0E-V2	2464590000	C.120
UR20-8DI-PN-FS0E-V2	2464590000	C.121
UR20-8DI-PN-FS0E-V2	2464590000	C.122
UR20-8DI-PN-FS0E-V2	2464590000	C.123
UR20-8DI-PN-FS0E-V2	2464590000	C.124
UR20-8DI-PN-FS0E-V2	2464590000	C.125
UR20-8DI-PN-FS0E-V2	2464590000	C.126
UR20-8DI-PN-FS0E-V2	2464590000	C.127
UR20-8DI-PN-FS0E-V2	2464590000	C.128
UR20-8DI-PN-FS0E-V2	2464590000	C.129
UR20-8DI-PN-FS0E-V2	2464590000	C.130
UR20-8DI-PN-FS0E-V2	2464590000	C.131
UR20-8DI-PN-FS0E-V2	2464590000	C.132
UR20-8DI-PN-FS0E-V2	2464590000	C.133
UR20-8DI-PN-FS0E-V2	2464590000	C.134
UR20-8DI-PN-FS0E-V2	2464590000	C.135
UR20-8DI-PN-FS0E-V2	2464590000	C.37
UR20-8DI-PN-FS0E-V2	2464590000	C.38
UR20-8DI-PN-FS0E-V2	2464590000	C.39
UR20-8DI-PN-FS0E-V2	2464590000	C.40
UR20-8DI-PN-FS0E-V2	2464590000	C.41
UR20-8DI-PN-FS0E-V2	2464590000	C.42
UR20-8DI-PN-FS0E-V2	2464590000	C.43
UR20-8DI-PN-FS0E-V2	2464590000	C.44

Type	Order No.	Page
UR20-8DI-PN-FS0E-V2	2464590000	C.135
UR20-8DI-PN-FS0E-V2	2464590000	C.136
UR20-8DI-PN-FS0E-V2	2464590000	C.101
UR20-8DI-PN-FS0E-V2	2464590000	C.102
UR20-8DI-PN-FS0E-V2	2464590000	C.103
UR20-8DI-PN-FS0E-V2	2464590000	C.104
UR20-8DI-PN-FS0E-V2	2464590000	C.105
UR20-8DI-PN-FS0E-V2	2464590000	C.106
UR20-8DI-PN-FS0E-V2	2464590000	C.107
UR20-8DI-PN-FS0E-V2	2464590000	C.108
UR20-8DI-PN-FS0E-V2	2464590000	C.109
UR20-8DI-PN-FS0E-V2	2464590000	C.110
UR20-8DI-PN-FS0E-V2	2464590000	C.111
UR20-8DI-PN-FS0E-V2	2464590000	C.112
UR20-8DI-PN-FS0E-V2	2464590000	C.113
UR20-8DI-PN-FS0E-V2	2464590000	C.114
UR20-8DI-PN-FS0E-V2	2464590000	C.115
UR20-8DI-PN-FS0E-V2	2464590000	C.116
UR20-8DI-PN-FS0E-V2	2464590000	C.117
UR20-8DI-PN-FS0E-V2	2464590000	C.118
UR20-8DI-PN-FS0E-V2	246	

Type	Order No.	Page	Type	Order No.	Page	Type	Order No.	Page	Type	Order No.	Page
UR20-EM-131560000-SP	1347180000	C.71	UR20-EM-2464580000-SP	2466020000	C.121	UR20-PG0.35	1469340000	C.83	UR20-PK-1334910000-SP	1484440000	C.135
UR20-EM-131561000-SP	1347190000	C.135	UR20-EM-2464580000-SP	2466020000	C.135	UR20-PG0.35	1469340000	C.84	UR20-PK-1334920000-SP	1541290000	C.135
UR20-EM-131561000-SP	1347190000	C.72	UR20-EM-2464590000-SP	2466010000	C.124	UR20-PK1-2489830000-SP	2573750000	C.135	UR20-PK-1334920000-SP	1541290000	C.19
UR20-EM-131562000-SP	1347200000	C.135	UR20-EM-2464590000-SP	2466010000	C.135	UR20-PK1-2489830000-SP	2573750000	C.73	UR20-PK-1334940000-SP	2425170000	C.135
UR20-EM-131562000-SP	1347200000	C.77	UR20-EM-2464600000-SP	2465960000	C.122	UR20-PK-1315170000-SP	1346440000	C.135	UR20-PK-1334940000-SP	2425170000	C.29
UR20-EM-1315650000-SP	1347240000	C.135	UR20-EM-2464600000-SP	2465960000	C.135	UR20-PK-1315170000-SP	1346440000	C.37	UR20-PK-1334950000-SP	2605360000	A.6
UR20-EM-1315650000-SP	1347240000	C.83	UR20-EM-2489830000-SP	2585660000	C.135	UR20-PK-1315180000-SP	1346430000	C.135	UR20-PK-1335030000-SP	1346560000	C.125
UR20-EM-1315670000-SP	1347250000	C.135	UR20-EM-2489830000-SP	2585660000	C.73	UR20-PK-1315180000-SP	1346430000	C.39	UR20-PK-1335030000-SP	1346560000	C.135
UR20-EM-1315670000-SP	1347250000	C.85	UR20-EM-2544660000-SP	2550610000	C.87	UR20-PK-1315190000-SP	1518800000	C.135	UR20-PK-1335040000-SP	1484100000	C.127
UR20-EM-1315680000-SP	1347270000	C.102	UR20-EM-2555940000-SP	2593310000	C.135	UR20-PK-1315190000-SP	1518800000	C.41	UR20-PK-1335040000-SP	1484100000	C.135
UR20-EM-1315680000-SP	1347270000	C.135	UR20-EM-2555940000-SP	2593310000	C.91	UR20-PK-1315200000-SP	1346400000	C.135	UR20-PK-1335050000-SP	1346570000	C.126
UR20-EM-1315690000-SP	1347280000	C.135	UR20-EM-2566090000-SP	2568080000	C.135	UR20-PK-1315200000-SP	1346400000	C.42	UR20-PK-1335050000-SP	1346570000	C.135
UR20-EM-1315690000-SP	1347280000	C.79	UR20-EM-2566090000-SP	2568080000	C.78	UR20-PK-1315210000-SP	1346590000	C.135	UR20-PK-13394390000-SP	1484030000	C.135
UR20-EM-1315700000-SP	1347290000	C.135	UR20-EM-2566100000-SP	2568380000	C.104	UR20-PK-1315210000-SP	1346590000	C.43	UR20-PK-1339440000-SP	1484030000	C.76
UR20-EM-1315700000-SP	1347290000	C.89	UR20-EM-2566100000-SP	2568380000	C.135	UR20-PK-1315220000-SP	1483960000	C.135	UR20-PK-1394400000-SP	1411430000	C.135
UR20-EM-1315710000-SP	1435740000	C.135	UR20-EM-2566960000-SP	2568360000	C.135	UR20-PK-1315220000-SP	1483960000	C.53	UR20-PK-1394400000-SP	1411430000	C.40
UR20-EM-1315710000-SP	1435740000	C.92	UR20-EM-2566960000-SP	2568360000	C.80	UR20-PK-1315230000-SP	1483970000	C.135	UR20-PK-1394420000-SP	1483980000	C.135
UR20-EM-1315720000-SP	1347320000	C.135	UR20-EM-2566970000-SP	2568370000	C.105	UR20-PK-1315230000-SP	1483970000	C.54	UR20-PK-1339450000-SP	1483980000	C.55
UR20-EM-1315720000-SP	1347320000	C.84	UR20-EM-2566970000-SP	2568370000	C.135	UR20-PK-1315240000-SP	1346410000	C.135	UR20-PK-1460140000-SP	1484110000	C.135
UR20-EM-1315730000-SP	1347330000	C.106	UR20-EM-2617520000-SP	2702570000	C.135	UR20-PK-1315240000-SP	1346410000	C.56	UR20-PK-1460140000-SP	1484110000	C.44
UR20-EM-1315730000-SP	1347330000	C.135	UR20-EM-2617520000-SP	2702570000	C.94	UR20-PK-1315240000-SP	1483990000	C.135	UR20-PK-1460150000-SP	1484430000	C.135
UR20-EM-1315740000-SP	1347340000	C.119	UR20-EM-2705620000-SP	2788700000	C.135	UR20-PK-1315250000-SP	1483990000	C.58	UR20-PK-1460150000-SP	1484430000	C.45
UR20-EM-1315740000-SP	1347340000	C.135	UR20-EM-2705620000-SP	2788700000	C.75	UR20-PK-1315250000-SP	1483940000	C.135	UR20-PK-1506910000-SP	1518820000	C.135
UR20-EM-1315750000-SP	1347350000	C.116	UR20-EM-2705630000-SP	2777420000	C.101	UR20-PK-1315270000-SP	1483940000	C.59	UR20-PK-1506910000-SP	1518820000	C.82
UR20-EM-1315750000-SP	1347350000	C.135	UR20-EM-2705630000-SP	2777420000	C.135	UR20-PK-1315350000-SP	1559770000	C.135	UR20-PK-1506920000-SP	1518830000	C.135
UR20-EM-1315770000-SP	1347370000	C.134	UR20-EM-2826800000-SP	2826860000	C.117	UR20-PK-1315350000-SP	1559770000	C.46	UR20-PK-1506920000-SP	1518830000	C.81
UR20-EM-1315770000-SP	1347370000	C.135	UR20-EM-2826800000-SP	2826860000	C.135	UR20-PK-1315370000-SP	1559780000	C.135	UR20-PK-1506930000-SP	1531810000	C.109
UR20-EM-1334710000-SP	1347380000	C.129	UR20-ES	1315770000	C.134	UR20-PK-1315370000-SP	1559780000	C.47	UR20-PK-1506930000-SP	1531810000	C.135
UR20-EM-1334710000-SP	1347380000	C.130	UR20-ES	1315770000	C.135	UR20-PK-1315390000-SP	1559790000	C.135	UR20-PK-1508080000-SP	1518840000	C.114
UR20-EM-1334740000-SP	1347420000	C.135	UR20-ES	1315770000	C.137	UR20-PK-1315390000-SP	1559790000	C.48	UR20-PK-1508090000-SP	1518840000	C.135
UR20-EM-1334740000-SP	1347420000	C.135	UR20-FBC-CAN	1334890000	C.135	UR20-PK-1315400000-SP	1559800000	C.135	UR20-PK-1508090000-SP	1559870000	C.115
UR20-EM-1334770000-SP	1347450000	C.133	UR20-FBC-CAN	1334890000	C.136	UR20-PK-1315400000-SP	1559800000	C.49	UR20-PK-1508090000-SP	1559870000	C.135
UR20-EM-1334770000-SP	1347450000	C.135	UR20-FBC-CAN	1334890000	C.27	UR20-PK-1315410000-SP	1559840000	C.135	UR20-PK-1509830000-SP	1559720000	C.135
UR20-EM-1334780000-SP	1347470000	C.133	UR20-FBC-CC	2625010000	C.135	UR20-PK-1315410000-SP	1559840000	C.60	UR20-PK-1509830000-SP	1559720000	C.57
UR20-EM-1334780000-SP	1347470000	C.135	UR20-FBC-CC	2625010000	C.136	UR20-PK-1315420000-SP	1559850000	C.135	UR20-PK-1510690000-SP	1531830000	C.108
UR20-EM-1334790000-SP	1347480000	C.133	UR20-FBC-CC	2625010000	C.31	UR20-PK-1315420000-SP	1559850000	C.61	UR20-PK-1510690000-SP	1531830000	C.135
UR20-EM-1334790000-SP	1347480000	C.135	UR20-FBC-CC-TSN	2680260000	C.135	UR20-PK-1315430000-SP	1984770000	C.135	UR20-PK-1550070000-SP	1559820000	C.135
UR20-EM-1334800000-SP	1347490000	C.133	UR20-FBC-CC-TSN	2680260000	C.136	UR20-PK-1315430000-SP	1984770000	C.62	UR20-PK-1550500000-SP	1559820000	C.51
UR20-EM-1334800000-SP	1347490000	C.135	UR20-FBC-CC-TSN	2680260000	C.33	UR20-PK-1315440000-SP	2000520000	C.135	UR20-PK-1550500000-SP	2780340000	C.135
UR20-EM-1334810000-SP	1347500000	C.135	UR20-FBC-DN	1334900000	C.135	UR20-PK-1315440000-SP	2000520000	C.63	UR20-PK-1550500000-SP	2780340000	C.20
UR20-EM-1334810000-SP	1347500000	C.135	UR20-FBC-DN	1334900000	C.136	UR20-PK-1315450000-SP	2000540000	C.135	UR20-PK-1990070000-SP	2068620000	C.135
UR20-EM-1335030000-SP	1347520000	C.125	UR20-FBC-DN	1334900000	C.25	UR20-PK-1315450000-SP	2000540000	C.64	UR20-PK-1990070000-SP	2068620000	C.97
UR20-EM-1335030000-SP	1347520000	C.135	UR20-FBC-EC	1334910000	C.11	UR20-PK-1315540000-SP	1484000000	C.135	UR20-PK-1993880000-SP	2446200000	C.135
UR20-EM-1335040000-SP	1347530000	C.127	UR20-FBC-EC	1334910000	C.135	UR20-PK-1315540000-SP	1484000000	C.66	UR20-PK-1993880000-SP	2446200000	C.86
UR20-EM-1335040000-SP	1347530000	C.135	UR20-FBC-EC	1334910000	C.136	UR20-PK-1315550000-SP	1346500000	C.135	UR20-PK-2001670000-SP	2068610000	C.135
UR20-EM-1335050000-SP	1347540000	C.126	UR20-FBC-EC-ECO	2659890000	C.13	UR20-PK-1315550000-SP	1346500000	C.67	UR20-PK-2001670000-SP	2068610000	C.93
UR20-EM-1335050000-SP	1347540000	C.135	UR20-FBC-EC-ECO	2659890000	C.135	UR20-PK-1315570000-SP	1346520000	C.111	UR20-PK-2007420000-SP	2068630000	C.135
UR20-EM-13394390000-SP	1434230000	C.135	UR20-FBC-EC-ECO	2659890000	C.136	UR20-PK-1315570000-SP	1346520000	C.135	UR20-PK-2007420000-SP	2068630000	C.99
UR20-EM-13394390000-SP	1434230000	C.76	UR20-FBC-EIP	1334920000	C.135	UR20-PK-1315580000-SP	1346530000	C.113	UR20-PK-2007430000-SP	2425160000	C.118
UR20-EM-1339440000-SP	1434220000	C.135	UR20-FBC-EIP	1334920000	C.136	UR20-PK-1315580000-SP	1346530000	C.135	UR20-PK-2007430000-SP	2425160000	C.135
UR20-EM-1339440000-SP	1434220000	C.40	UR20-FBC-EIP	1334920000	C.19	UR20-PK-1315590000-SP	1346540000	C.112	UR20-PK-2009360000-SP	2011240000	C.135
UR20-EM-13394420000-SP	1480950000	C.135	UR20-FBC-EIP-ECO	2799510000	C.135	UR20-PK-1315590000-SP	1346540000	C.135	UR20-PK-2009360000-SP	2011240000	C.38
UR20-EM-13394420000-SP	1480950000	C.55	UR20-FBC-EIP-ECO	2799510000	C.136	UR20-PK-1315600000-SP	1484010000	C.135	UR20-PK2-2489830000-SP	2585650000	C.135
UR20-EM-1460140000-SP	1463690000	C.135	UR20-FBC-EIP-ECO	2799510000	C.23	UR20-PK-1315600000-SP	1484010000	C.71	UR20-PK2-2489830000-SP	2585650000	C.73
UR20-EM-1460140000-SP	1463690000	C.44	UR20-FBC-EIP-V2	1550550000	C.135	UR20-PK-1315610000-SP	1346550000	C.135	UR20-PK-2453770000-SP	2508780000	C.107
UR20-EM-1460150000-SP	1463680000	C.135	UR20-FBC-EIP-V2	1550550000	C.136	UR20-PK-1315610000-SP	1346550000	C.72	UR20-PK-2453770000-SP	2508780000	C.135
UR20-EM-1460150000-SP	1463680000	C.45	UR20-FBC-EIP-V2	1550550000	C.20	UR20-PK-1315620000-SP	1484020000	C.135	UR20-PK-2453770000-SP	2508770000	C.103
UR20-EM-1506910000-SP	1515430000	C.135	UR20-FBC-IEC61162-450	2661310000	C.135	UR20-PK-1315620000-SP	1484020000	C.77	UR20-PK-2453770000-SP	2508770000	C.135
UR20-EM-1506910000-SP	1515430000	C.82	UR20-FBC-IEC61162-450	2661310000	C.136	UR20-PK-1315620000-SP	1559740000	C.135	UR20-PK-2453770000-SP	2593320000	C.135
UR20-EM-1506920000-SP	1515420000	C.135	UR20-FBC-IEC61162-450	2661310000	C.35	UR20-PK-1315650000-SP	1559740000	C.83	UR20-PK-2456530000-SP	2593320000	C.69
UR20-EM-1506920000-SP	1515420000	C.81	UR20-FBC-MOD-TCP-ECO	2659700000	C.135	UR20-PK-1315650000-SP	1559740000	C.135	UR20-PK-2456530000-SP	2593320000	C.135
UR20-EM-1506930000-SP	1515480000	C.109	UR20-FBC-MOD-TCP-ECO	2659700000	C.136	UR20-PK-1315670000-SP	1483950000	C.85	UR20-PK-2456540000-SP	2545610000	C.90
UR20-EM-1506930000-SP	1515480000	C.135	UR20-FBC-MOD-TCP-ECO	2659700000	C.17	UR20-PK-1315680000-SP	1484070000	C.102	UR20-PK-2457240000-SP	2545760000	C.135
UR20-EM-1508080000-SP	1515440000	C.114	UR20-FBC-MOD-TCP-V2	2476450000	C.135	UR20-PK-1315680000-SP	1484070000	C.135	UR20-PK-2457240000-SP	2545760000	C.50
UR20-EM-1508080000-SP	1515440000	C.135	UR20-FBC-MOD-TCP-V2	2476450000	C.136	UR20-PK-1315690000-SP	1518870000	C.135	UR20-PK-2457250000-SP	2545770000	C.135
UR20-EM-1508090000-SP	1515490000	C.115	UR20-FBC-MOD-TCP-V2	2476450000	C.15	UR20-PK-1315690000-SP					

Type	Order No.	Page	Type	Order No.	Page
UR20-PK-2659700000-SP	2702610000	C.135	UR20-SM-ACC	1339920000	C.76
UR20-PK-2659700000-SP	2702610000	C.17	UR20-SM-ACC	1339920000	C.77
UR20-PK-2661310000-SP	2680540000	C.135	UR20-SM-ACC	1339920000	C.78
UR20-PK-2661310000-SP	2680540000	C.35	UR20-SM-ACC	1339920000	C.79
UR20-PK-2674520000-SP	2665170000	A.4	UR20-SM-ACC	1339920000	C.80
UR20-PK-2674620000-SP	2570120000	A.5	UR20-SM-ACC	1339920000	C.81
UR20-PK-2680260000-SP	2699160000	C.135	UR20-SM-ACC	1339920000	C.82
UR20-PK-2680260000-SP	2699160000	C.33	UR20-SM-ACC	1339920000	C.83
UR20-PK-2705620000-SP	2788710000	C.135	UR20-SM-ACC	1339920000	C.84
UR20-PK-2705620000-SP	2788710000	C.75	UR20-SM-ACC	1339920000	C.85
UR20-PK-2705630000-SP	2777410000	C.101	UR20-SM-ACC	1339920000	C.86
UR20-PK-2705630000-SP	2777410000	C.135	UR20-SM-ACC	1339920000	C.87
UR20-PK-2799510000-SP	2832900000	C.135	UR20-SM-ACC	1339920000	C.89
UR20-PK-2799510000-SP	2832900000	C.23	UR20-SM-ACC	1339920000	C.9
UR20-PK-2826800000-SP	2826870000	C.117	UR20-SM-ACC	1339920000	C.90
UR20-PK-2826800000-SP	2826870000	C.135	UR20-SM-ACC	1339920000	C.91
UR20-SM-ACC	1339920000	A.4	UR20-SM-ACC	1339920000	C.92
UR20-SM-ACC	1339920000	A.5	UR20-SM-ACC	1339920000	C.93
UR20-SM-ACC	1339920000	A.6	UR20-SM-ACC	1339920000	C.94
UR20-SM-ACC	1339920000	C.101	UR20-SM-ACC	1339920000	C.97
UR20-SM-ACC	1339920000	C.102	UR20-SM-ACC	1339920000	C.99
UR20-SM-ACC	1339920000	C.103	UR67-MP-78-16DI-12-60M	2426300000	D.24
UR20-SM-ACC	1339920000	C.104	UR67-MP-78-16DI-12-60M	2426300000	D.7
UR20-SM-ACC	1339920000	C.105	UR67-MP-78-16DIO-12-60M	2512830000	D.24
UR20-SM-ACC	1339920000	C.106	UR67-MP-78-16DIO-12-60M	2512830000	D.8
UR20-SM-ACC	1339920000	C.107	UR67-MP-78-16DO-12-60M	2426310000	D.24
UR20-SM-ACC	1339920000	C.108	UR67-MP-78-16DO-12-60M	2426310000	D.7
UR20-SM-ACC	1339920000	C.109	UR67-MP-78-8DIDO-12-60M	2426320000	D.24
UR20-SM-ACC	1339920000	C.11	UR67-MP-78-8DIDO-12-60M	2426320000	D.8
UR20-SM-ACC	1339920000	C.111	UR67-MP-HP-16DI-12-60M	2426270000	D.24
UR20-SM-ACC	1339920000	C.112	UR67-MP-HP-16DI-12-60M	2426270000	D.5
UR20-SM-ACC	1339920000	C.113	UR67-MP-HP-16DIO-12-60M	2512840000	D.24
UR20-SM-ACC	1339920000	C.114	UR67-MP-HP-16DIO-12-60M	2512840000	D.6
UR20-SM-ACC	1339920000	C.115	UR67-MP-HP-16DO-12-60M	2426280000	D.24
UR20-SM-ACC	1339920000	C.116	UR67-MP-HP-16DO-12-60M	2426280000	D.5
UR20-SM-ACC	1339920000	C.117	UR67-MP-HP-8DIDO-12-60M	2426290000	D.24
UR20-SM-ACC	1339920000	C.118	UR67-MP-HP-8DIDO-12-60M	2426290000	D.6
UR20-SM-ACC	1339920000	C.119	UR67-PN-HP-8IOL-12-30M	2426250000	D.24
UR20-SM-ACC	1339920000	C.121	UR67-PN-HP-8IOL-12-30M	2426250000	D.4
UR20-SM-ACC	1339920000	C.122	UR67-PN-HP-8IOL-12-60M	2426260000	D.24
UR20-SM-ACC	1339920000	C.123	UR67-PN-HP-8IOL-12-60M	2426260000	D.4
UR20-SM-ACC	1339920000	C.124	UR67-PN-V14-CU-16DI-12	2599680000	D.24
UR20-SM-ACC	1339920000	C.125	UR67-PN-V14-CU-16DI-12	2599680000	D.9
UR20-SM-ACC	1339920000	C.126	UR67-PN-V14-CU-8DIDO-12	2599670000	D.24
UR20-SM-ACC	1339920000	C.127	UR67-PN-V14-CU-8DIDO-12	2599670000	D.9
UR20-SM-ACC	1339920000	C.129	UR67-PN-V14-PDF-16DI-12	2599700000	D.10
UR20-SM-ACC	1339920000	C.13	UR67-PN-V14-PDF-16DI-12	2599700000	D.24
UR20-SM-ACC	1339920000	C.130	UR67-PN-V14-PDF-8DIDO-12	2599690000	D.10
UR20-SM-ACC	1339920000	C.133	UR67-PN-V14-PDF-8DIDO-12	2599690000	D.24
UR20-SM-ACC	1339920000	C.134	UV20-B-IPC-1000.01	2676340000	F.4
UR20-SM-ACC	1339920000	C.137	UV20-B-IPC-1011.01	2665800000	F.4
UR20-SM-ACC	1339920000	C.15	UV20-B-IPC-1011.02	2676350000	F.5
UR20-SM-ACC	1339920000	C.17	UV20-B-IPC-2001.01	2676370000	F.6
UR20-SM-ACC	1339920000	C.19	UV20-B-IPC-2001.02	2665810000	F.6
UR20-SM-ACC	1339920000	C.20	UV20-B-IPC-2001.03	2676380000	F.7
UR20-SM-ACC	1339920000	C.23	UV20-B-IPC-2002.02	2763410000	F.7
UR20-SM-ACC	1339920000	C.25	UV20-B-IPC-3000.01	2676390000	F.8
UR20-SM-ACC	1339920000	C.27	UV20-B-IPC-3010.01	2676400000	F.8
UR20-SM-ACC	1339920000	C.29	UV20-B-IPC-3021.01	2676410000	F.9
UR20-SM-ACC	1339920000	C.31	UV20-B-IPC-3021.02	2815590000	F.9
UR20-SM-ACC	1339920000	C.33	UV20-B-IPC-3031.01	2665820000	F.9
UR20-SM-ACC	1339920000	C.35	UV20-B-IPC-3032.01	2676420000	F.10
UR20-SM-ACC	1339920000	C.37	UV66-ADV-10-CAP-W	2555840000	E.7
UR20-SM-ACC	1339920000	C.38	UV66-ADV-10-IPPC-1001.01	2676460000	F.12
UR20-SM-ACC	1339920000	C.39	UV66-ADV-12-IPM-10	2676670000	F.16
UR20-SM-ACC	1339920000	C.40	UV66-ADV-12-IPPC-1001.01	2676480000	F.12
UR20-SM-ACC	1339920000	C.41	UV66-ADV-12-IPPC-3001.01	2676510000	F.13
UR20-SM-ACC	1339920000	C.42	UV66-ADV-12-IPPC-3022.01	2676520000	F.13
UR20-SM-ACC	1339920000	C.43	UV66-ADV-15-CAP-W	2555850000	E.8
UR20-SM-ACC	1339920000	C.44	UV66-ADV-15-IPM-10	2676680000	F.16
UR20-SM-ACC	1339920000	C.45	UV66-ADV-15-IPPC-1001.01	2676500000	F.12
UR20-SM-ACC	1339920000	C.46	UV66-ADV-15-IPPC-3001.01	2676530000	F.13
UR20-SM-ACC	1339920000	C.47	UV66-ADV-15-IPPC-3022.01	2676540000	F.13
UR20-SM-ACC	1339920000	C.48	UV66-ADV-15-IPPC-3022.02	2812790000	F.14
UR20-SM-ACC	1339920000	C.49	UV66-ADV-18-IPM-10	2676690000	F.16
UR20-SM-ACC	1339920000	C.5	UV66-ADV-18-IPPC-3001.01	2676550000	F.13
UR20-SM-ACC	1339920000	C.50	UV66-ADV-18-IPPC-3022.01	2676560000	F.13
UR20-SM-ACC	1339920000	C.51	UV66-ADV-21-IPM-10	2676700000	F.16
UR20-SM-ACC	1339920000	C.53	UV66-ADV-21-IPPC-3001.01	2676570000	F.13
UR20-SM-ACC	1339920000	C.54	UV66-ADV-21-IPPC-3022.01	2676580000	F.13
UR20-SM-ACC	1339920000	C.55	UV66-ADV-21-IPPC-3022.02	2812760000	F.14
UR20-SM-ACC	1339920000	C.56	UV66-ADV-21-IPPC-4032.01	2796790000	F.15
UR20-SM-ACC	1339920000	C.57	UV66-ADV-7-CAP-W	2555830000	E.7
UR20-SM-ACC	1339920000	C.58	UV66-ADV-7-IPPC-1001.01	2665830000	F.12
UR20-SM-ACC	1339920000	C.59	UV66-BAS-10-IPPC-1001.01	2676450000	F.11
UR20-SM-ACC	1339920000	C.60	UV66-BAS-10-RES-W	2555820000	E.6
UR20-SM-ACC	1339920000	C.61	UV66-BAS-12-IPPC-1001.01	2676470000	F.11
UR20-SM-ACC	1339920000	C.62	UV66-BAS-15-IPPC-1001.01	2676490000	F.11
UR20-SM-ACC	1339920000	C.63	UV66-BAS-7-IPPC-1001.01	2676430000	F.11
UR20-SM-ACC	1339920000	C.64	UV66-BAS-7-RES-W	2555810000	E.6
UR20-SM-ACC	1339920000	C.65	UV66-ECO-10-RES-W	2555790000	E.5
UR20-SM-ACC	1339920000	C.66	UV66-ECO-4-RES-W	2555660000	E.4
UR20-SM-ACC	1339920000	C.67	UV66-ECO-7-RES-W	2555780000	E.4
UR20-SM-ACC	1339920000	C.69			
UR20-SM-ACC	1339920000	C.7			
UR20-SM-ACC	1339920000	C.71			
UR20-SM-ACC	1339920000	C.72	WCU 860S - C-PROGRAMMING CABLE2772100000	A.10	
UR20-SM-ACC	1339920000	C.73	WCU 860S - C-PROGRAMMING DEVICE2772110000	A.10	
UR20-SM-ACC	1339920000	C.75			

W

WCU 860S - C-PROGRAMMING CABLE2772100000 A.10
WCU 860S - C-PROGRAMMING DEVICE2772110000 A.10

Order No.	Type	Page
-----------	------	------

022000000

0224261001	RS F20 LP2N 5/20	C.85
------------	------------------	------

100000000

1004330150	SAILM12BW-3L1.5T	D.22
1007000150	SAILM12BW-4.2L1.5T	D.22

102000000

1025950015	IE-C5DD4UG0015MCSMCS-E	D.4
1025950015	IE-C5DD4UG0015MCSMCS-E	D.5
1025950015	IE-C5DD4UG0015MCSMCS-E	D.6
1025950015	IE-C5DD4UG0015MCSMCS-E	D.7
1025950015	IE-C5DD4UG0015MCSMCS-E	D.8
1027290000	ESG-M 8/20 MC NE WS	D.4
1027290000	ESG-M 8/20 MC NE WS	D.5
1027290000	ESG-M 8/20 MC NE WS	D.6
1027290000	ESG-M 8/20 MC NE WS	D.7
1027290000	ESG-M 8/20 MC NE WS	D.8

104000000

1044470015	IE-C5DD4UG0015MCSA20-E	D.4
1044470015	IE-C5DD4UG0015MCSA20-E	D.5
1044470015	IE-C5DD4UG0015MCSA20-E	D.6

109000000

1092910150	SAILM12BG-3-1.5UGE	D.20
1092920150	SAILM12BG-4-1.5UGE	D.20
1092940150	SAILM12BW-3-1.5UGE	D.20
1092950150	SAILM12BW-4.2L1.5UGE	D.20
1092960150	SAILM12BW-4-1.5UGE	D.22
1093190150	SAILM8BG-3-1.5UGE	D.21
1093200150	SAILM8BG-4-1.5UGE	D.21
1093210150	SAILM8BW-3L1.5UGE	D.22
1093220150	SAILM8BW-3-1.5UGE	D.21
1093230150	SAILM8BW-4L1.5UGE	D.22
1093240150	SAILM8BW-4-1.5UGE	D.21

111000000

1114880150	SAILM12BW-3L1.5UGE	D.22
------------	--------------------	------

131000000

1315170000	UR20-4DI-P	C.135
1315170000	UR20-4DI-P	C.136
1315170000	UR20-4DI-P	C.37
1315180000	UR20-8DI-P-2W	C.135
1315180000	UR20-8DI-P-2W	C.136
1315180000	UR20-8DI-P-2W	C.39
1315190000	UR20-8DI-P-3WHD	C.135
1315190000	UR20-8DI-P-3WHD	C.136
1315190000	UR20-8DI-P-3WHD	C.41
1315200000	UR20-16DI-P	C.135
1315200000	UR20-16DI-P	C.136
1315200000	UR20-16DI-P	C.42
1315210000	UR20-16DI-P-PLC-INT	C.135
1315210000	UR20-16DI-P-PLC-INT	C.136
1315210000	UR20-16DI-P-PLC-INT	C.43
1315220000	UR20-4DD-P	C.135
1315220000	UR20-4DD-P	C.136
1315220000	UR20-4DD-P	C.53
1315230000	UR20-4DD-P-2A	C.135
1315230000	UR20-4DD-P-2A	C.136
1315230000	UR20-4DD-P-2A	C.54
1315240000	UR20-8DD-P	C.135
1315240000	UR20-8DD-P	C.136
1315240000	UR20-8DD-P	C.56
1315250000	UR20-16DD-P	C.135
1315250000	UR20-16DD-P	C.136
1315250000	UR20-16DD-P	C.58
1315270000	UR20-16DD-P-PLC-INT	C.135
1315270000	UR20-16DD-P-PLC-INT	C.136
1315270000	UR20-16DD-P-PLC-INT	C.59
1315350000	UR20-4DI-N	C.135
1315350000	UR20-4DI-N	C.136
1315350000	UR20-4DI-N	C.46
1315370000	UR20-8DI-N-3W	C.135
1315370000	UR20-8DI-N-3W	C.136
1315370000	UR20-8DI-N-3W	C.47
1315390000	UR20-16DI-N	C.135
1315390000	UR20-16DI-N	C.136
1315390000	UR20-16DI-N	C.48
1315400000	UR20-16DI-N-PLC-INT	C.135
1315400000	UR20-16DI-N-PLC-INT	C.136
1315400000	UR20-16DI-N-PLC-INT	C.49
1315410000	UR20-4DD-N	C.135
1315410000	UR20-4DD-N	C.136
1315410000	UR20-4DD-N	C.60
1315420000	UR20-4DD-N-2A	C.135
1315420000	UR20-4DD-N-2A	C.136
1315420000	UR20-4DD-N-2A	C.61
1315430000	UR20-8DD-N	C.135
1315430000	UR20-8DD-N	C.136
1315430000	UR20-8DD-N	C.62

Order No.	Type	Page
-----------	------	------

1315440000	UR20-16DD-N	C.135
1315440000	UR20-16DD-N	C.136
1315440000	UR20-16DD-N	C.63
1315450000	UR20-16DD-N-PLC-INT	C.135
1315450000	UR20-16DD-N-PLC-INT	C.136
1315450000	UR20-16DD-N-PLC-INT	C.64
1315540000	UR20-4RO-SSR-255	C.135
1315540000	UR20-4RO-SSR-255	C.136
1315540000	UR20-4RO-SSR-255	C.66
1315550000	UR20-4RO-CD-255	C.135
1315550000	UR20-4RO-CD-255	C.136
1315550000	UR20-4RO-CD-255	C.67
1315570000	UR20-1CNT-100-1D0	C.111
1315570000	UR20-1CNT-100-1D0	C.135
1315570000	UR20-1CNT-100-1D0	C.136
1315580000	UR20-1CNT-500	C.113
1315580000	UR20-1CNT-500	C.135
1315580000	UR20-1CNT-500	C.136
1315590000	UR20-2CNT-100	C.112
1315590000	UR20-2CNT-100	C.135
1315590000	UR20-2CNT-100	C.136
1315600000	UR20-2PWM-PN-0.5A	C.135
1315600000	UR20-2PWM-PN-0.5A	C.136
1315600000	UR20-2PWM-PN-0.5A	C.71
1315610000	UR20-2PWM-PN-2A	C.135
1315610000	UR20-2PWM-PN-2A	C.136
1315610000	UR20-2PWM-PN-2A	C.72
1315620000	UR20-4AI-UI-16	C.135
1315620000	UR20-4AI-UI-16	C.136
1315620000	UR20-4AI-UI-16	C.77
1315650000	UR20-8AH-16-HD	C.135
1315650000	UR20-8AH-16-HD	C.136
1315650000	UR20-8AH-16-HD	C.83
1315670000	UR20-8AH-PLC-INT	C.135
1315670000	UR20-8AH-PLC-INT	C.136
1315670000	UR20-8AH-PLC-INT	C.85
1315680000	UR20-4AO-UI-16	C.102
1315680000	UR20-4AO-UI-16	C.135
1315680000	UR20-4AO-UI-16	C.136
1315690000	UR20-4AI-UI-16-DIAG	C.135
1315690000	UR20-4AI-UI-16-DIAG	C.136
1315690000	UR20-4AI-UI-16-DIAG	C.79
1315700000	UR20-4AI-RTD-DIAG	C.135
1315700000	UR20-4AI-RTD-DIAG	C.136
1315700000	UR20-4AI-RTD-DIAG	C.89
1315710000	UR20-4AI-TD-DIAG	C.135
1315710000	UR20-4AI-TD-DIAG	C.136
1315710000	UR20-4AI-TD-DIAG	C.92
1315720000	UR20-8AH-16-DIAG-HD	C.135
1315720000	UR20-8AH-16-DIAG-HD	C.136
1315720000	UR20-8AH-16-DIAG-HD	C.84
1315730000	UR20-4AO-UI-16-DIAG	C.106
1315730000	UR20-4AO-UI-16-DIAG	C.135
1315730000	UR20-4AO-UI-16-DIAG	C.136
1315730000	UR20-4AO-UI-16-DIAG	C.87
1315740000	UR20-4COM-IQ-LINK	C.119
1315740000	UR20-4COM-IQ-LINK	C.135
1315740000	UR20-4COM-IQ-LINK	C.136
1315750000	UR20-1COM-232-485-422	C.116
1315750000	UR20-1COM-232-485-422	C.135
1315750000	UR20-1COM-232-485-422	C.136
1315770000	UR20-ES	C.134
1315770000	UR20-ES	C.135
1315770000	UR20-ES	C.137

132000000

1323700000	PM 2.7/2.6 MC SDR	A.4
1323700000	PM 2.7/2.6 MC SDR	A.5
1323700000	PM 2.7/2.6 MC SDR	A.6
1323700000	PM 2.7/2.6 MC SDR	C.101
1323700000	PM 2.7/2.6 MC SDR	C.102
1323700000	PM 2.7/2.6 MC SDR	C.103
1323700000	PM 2.7/2.6 MC SDR	C.104
1323700000	PM 2.7/2.6 MC SDR	C.105
1323700000	PM 2.7/2.6 MC SDR	C.106
1323700000	PM 2.7/2.6 MC SDR	C.107
1323700000	PM 2.7/2.6 MC SDR	C.108
1323700000	PM 2.7/2.6 MC SDR	C.109
1323700000	PM 2.7/2.6 MC SDR	C.110
1323700000	PM 2.7/2.6 MC SDR	C.111
1323700000	PM 2.7/2.6 MC SDR	C.112
1323700000	PM 2.7/2.6 MC SDR	C.113
1323700000	PM 2.7/2.6 MC SDR	C.114
1323700000	PM 2.7/2.6 MC SDR	C.115
1323700000	PM 2.7/2.6 MC SDR	C.116
1323700000	PM 2.7/2.6 MC SDR	C.117
1323700000	PM 2.7/2.6 MC SDR	C.118
1323700000	PM 2.7/2.6 MC SDR	C.119
1323700000	PM 2.7/2.6 MC SDR	C.120
1323700000	PM 2.7/2.6 MC SDR	C.121
1323700000	PM 2.7/2.6 MC SDR	C.122
1323700000	PM 2.7/2.6 MC SDR	C.123
1323700000	PM 2.7/2.6 MC SDR	C.124
1323700000	PM 2.7/2.6 MC SDR	C.125
1323700000	PM 2.7/2.6 MC SDR	C.126
1323700000	PM 2.7/2.6 MC SDR	C.127
1323700000	PM 2.7/2.6 MC SDR	C.128
1323700000	PM 2.7/2.6 MC SDR	C.129
1323700000	PM 2.7/2.6 MC SDR	C.130
1323700000	PM 2.7/2.6 MC SDR	C.131
1323700000	PM 2.7/2.6 MC SDR	C.132
1323700000	PM 2.7/2.6 MC SDR	C.133
1323700000	PM 2.7/2.6 MC SDR	C.134
1323700000	PM 2.7/2.6 MC SDR	C.135
1323700000	PM 2.7/2.6 MC SDR	C.136
1323700000	PM 2.7/2.6 MC SDR	C.137

Order No.	Type	Page
-----------	------	------

1323700000	PM 2.7/2.6 MC SDR	C.15
1323700000	PM 2.7/2.6 MC SDR	C.17
1323700000	PM 2.7/2.6 MC SDR	C.19
1323700000	PM 2.7/2.6 MC SDR	C.20
1323700000	PM 2.7/2.6 MC SDR	C.23
1323700000	PM 2.7/2.6 MC SDR	C.25
1323700000	PM 2.7/2.6 MC SDR	C.27
1323700000	PM 2.7/2.6 MC SDR	C.29
1323700000	PM 2.7/2.6 MC SDR	C.31
1323700000	PM 2.7/2.6 MC SDR	C.33
1323700000	PM 2.7/2.6 MC SDR	C.35
1323700000	PM 2.7/2.6 MC SDR	C.37
1323700000	PM 2.7/2.6 MC SDR	C.38
1323700000	PM 2.7/2.6 MC SDR	C.39
1323700000	PM 2.7/2.6 MC SDR	C.40
1323700000	PM 2.7/2.6 MC SDR	C.42
1323700000	PM 2.7/2.6 MC SDR	C.43
1323700000	PM 2.7/2.6 MC SDR	C.44
1323700000	PM 2.7/2.6 MC SDR	C.45
1323700000	PM 2.7/2.6 MC SDR	C.46
1323700000	PM 2.7/2.6 MC SDR	C.47
1323700000	PM 2.7/2.6 MC SDR	C.48
1323700000	PM 2.7/2.6 MC SDR	C.49
1323700000	PM 2.7/2.6 MC SDR	C.5
1323700000	PM 2.7/2.6 MC SDR	C.50
1323700000	PM 2.7/2.6 MC SDR	C.51
1323700000	PM 2.7/2.6 MC SDR	C.53
1323700000	PM 2.7/2.6 MC SDR	C.54
1323700000	PM 2.7/2.6 MC SDR	C.55
1323700000	PM 2.7/2.6 MC SDR	C.56
1323700000	PM 2.7/2.6 MC SDR	C.57
1323700000	PM 2.7/2.6 MC SDR	C.58
1323700000	PM 2.7/2.6 MC SDR	C.59
1323700000	PM 2.7/2.6 MC SDR	C.60
1323700000	PM 2.7/2.6 MC SDR	C.61
1323700000	PM 2.7/2.6 MC SDR	C.62
1323700000	PM 2.7/2.6 MC SDR	C.63
1323700000	PM 2.7/2.6 MC SDR	C.64
1323700000	PM 2.7/2.6 MC SDR	C.65
1323700000	PM 2.7/2.6 MC SDR	C.66
1323700000	PM 2.7/2.6 MC SDR	C.67
1323700000	PM 2.7/2.6 MC SDR	C.69
1323700000	PM 2.7/2.6 MC SDR	

Order No.	Type	Page
1506920000	UR20-4AHJ-16-HD	C.136
1506920000	UR20-4AHJ-16-HD	C.81
1506930000	UR20-4AO-UI-16-DIAG-HD	C.109
1506930000	UR20-4AO-UI-16-DIAG-HD	C.135
1506930000	UR20-4AO-UI-16-DIAG-HD	C.136
1508080000	UR20-2FCNT-100	C.114
1508080000	UR20-2FCNT-100	C.135
1508080000	UR20-2FCNT-100	C.136
1508090000	UR20-1SSI	C.115
1508090000	UR20-1SSI	C.135
1508090000	UR20-1SSI	C.136
1508090000	UR20-1SSI	C.136
1509830000	UR20-8DO-P-2W-HD	C.135
1509830000	UR20-8DO-P-2W-HD	C.136
1509830000	UR20-8DO-P-2W-HD	C.57

1510000000

1510690000	UR20-4AO-UI-16-HD	C.108
1510690000	UR20-4AO-UI-16-HD	C.135
1510690000	UR20-4AO-UI-16-HD	C.136
1515420000	UR20-EM-1506920000-SP	C.135
1515420000	UR20-EM-1506920000-SP	C.81
1515430000	UR20-EM-1506910000-SP	C.135
1515430000	UR20-EM-1506910000-SP	C.82
1515440000	UR20-EM-1508080000-SP	C.114
1515440000	UR20-EM-1508080000-SP	C.135
1515450000	UR20-EM-1509830000-SP	C.135
1515450000	UR20-EM-1509830000-SP	C.57
1515470000	UR20-EM-1510690000-SP	C.108
1515470000	UR20-EM-1510690000-SP	C.135
1515480000	UR20-EM-1506930000-SP	C.109
1515480000	UR20-EM-1506930000-SP	C.135
1515490000	UR20-EM-1508090000-SP	C.115
1515490000	UR20-EM-1508090000-SP	C.135
1518800000	UR20-EM-1515730000-SP	C.135
1518800000	UR20-EM-1515730000-SP	C.41
1518820000	UR20-EM-1506910000-SP	C.135
1518820000	UR20-EM-1506910000-SP	C.82
1518830000	UR20-EM-1506920000-SP	C.135
1518830000	UR20-EM-1506920000-SP	C.81
1518840000	UR20-EM-1508080000-SP	C.114
1518840000	UR20-EM-1508080000-SP	C.135
1518870000	UR20-EM-1515690000-SP	C.135
1518870000	UR20-EM-1515690000-SP	C.79
1518880000	UR20-EM-1515730000-SP	C.106
1518880000	UR20-EM-1515730000-SP	C.135

1520000000

1525820000	PWZ-UR20-HD	C.108
1525820000	PWZ-UR20-HD	C.109
1525820000	PWZ-UR20-HD	C.41
1525820000	PWZ-UR20-HD	C.57
1525820000	PWZ-UR20-HD	C.81
1525820000	PWZ-UR20-HD	C.82
1525820000	PWZ-UR20-HD	C.83
1525820000	PWZ-UR20-HD	C.84

1530000000

1531810000	UR20-PK-1506930000-SP	C.109
1531810000	UR20-PK-1506930000-SP	C.135
1531830000	UR20-PK-1510690000-SP	C.108
1531830000	UR20-PK-1510690000-SP	C.135

1540000000

1541290000	UR20-PK-1334920000-SP	C.135
1541290000	UR20-PK-1334920000-SP	C.19

1550000000

1550070000	UR20-4DI-2W-230V-AC	C.135
1550070000	UR20-4DI-2W-230V-AC	C.136
1550070000	UR20-4DI-2W-230V-AC	C.51
1550550000	UR20-FBC-EIP-V2	C.135
1550550000	UR20-FBC-EIP-V2	C.136
1550550000	UR20-FBC-EIP-V2	C.20
1558880000	UR20-EM-1550070000-SP	C.135
1558880000	UR20-EM-1550070000-SP	C.51
1559720000	UR20-PK-1509830000-SP	C.135
1559720000	UR20-PK-1509830000-SP	C.57
1559740000	UR20-PK-1315650000-SP	C.135
1559740000	UR20-PK-1315650000-SP	C.83
1559750000	UR20-PK-1315720000-SP	C.135
1559750000	UR20-PK-1315720000-SP	C.84
1559770000	UR20-PK-131530000-SP	C.135
1559770000	UR20-PK-131530000-SP	C.46
1559780000	UR20-PK-1315370000-SP	C.135
1559780000	UR20-PK-1315370000-SP	C.47
1559790000	UR20-PK-1315390000-SP	C.135
1559790000	UR20-PK-1315390000-SP	C.48
1559800000	UR20-PK-131540000-SP	C.135
1559800000	UR20-PK-131540000-SP	C.49
1559820000	UR20-PK-1550070000-SP	C.135
1559820000	UR20-PK-1550070000-SP	C.51
1559840000	UR20-PK-1315410000-SP	C.135
1559840000	UR20-PK-1315410000-SP	C.60
1559850000	UR20-PK-1315420000-SP	C.135

Order No.	Type	Page
1559850000	UR20-PK-1315420000-SP	C.61
1559870000	UR20-PK-1508090000-SP	C.115
1559870000	UR20-PK-1508090000-SP	C.135

1560000000

1562260000	UR20-EM-1990070000-SP	C.135
1562260000	UR20-EM-1990070000-SP	C.97
1562270000	UR20-EM-2007420000-SP	C.135
1562270000	UR20-EM-2007420000-SP	C.99

1710000000

1718431044	TMH 18 MC NE WS	D.20
1718431044	TMH 18 MC NE WS	D.21
1718431044	TMH 18 MC NE WS	D.22
1718431687	TMH 18 MC NE GE	D.20
1718431687	TMH 18 MC NE GE	D.21
1718431687	TMH 18 MC NE GE	D.22

1800000000

1802760000	SAI-SK M8	D.13
1802760000	SAI-SK M8	D.14
1802760000	SAI-SK M8	D.15
1802760000	SAI-SK M8	D.16
1802760000	SAI-SK M8	D.17

1890000000

1892120000	SAISM-4/8S-M12-4P D-CDD	D.4
1892120000	SAISM-4/8S-M12-4P D-CDD	D.5
1892120000	SAISM-4/8S-M12-4P D-CDD	D.6

1900000000

1900001000	SCREWTY-M12-DM	D.20
1900001000	SCREWTY-M12-DM	D.21
1900001000	SCREWTY-M12-DM	D.22
1906400150	SAIL-M8BW-4L1.5U	D.22

1910000000

1912130000	ESG 8/13.5/43.3 SAI AU	D.13
1912130000	ESG 8/13.5/43.3 SAI AU	D.14
1912130000	ESG 8/13.5/43.3 SAI AU	D.15
1912130000	ESG 8/13.5/43.3 SAI AU	D.16
1912130000	ESG 8/13.5/43.3 SAI AU	D.17
1919990000	BLDZ DN5.08/05/180F GY BX PRT	C.25

1920000000

1920000000	SCREWTY SET-DM	D.19
1920000000	SCREWTY SET-DM	D.23
1925460150	SAIL-M12BW-3L1.5V	D.22
1925470150	SAIL-M12BW-4-2L1.5V	D.22
1925570150	SAIL-M12BG-3-1.5V	D.20
1925580150	SAIL-M12BG-4-1.5V	D.20
1925630150	SAIL-M12BW-3-1.5V	D.20
1925640150	SAIL-M12BW-4-1.5V	D.20
1927240150	SAIL-M8BG-3-1.5V	D.21
1927260150	SAIL-M8BG-4-1.5V	D.21
1927320150	SAIL-M8BW-3-1.5V	D.21
1927340150	SAIL-M8BW-4-1.5V	D.21
1927350150	SAIL-M8BW-3L1.5V	D.22
1927360150	SAIL-M8BW-4L1.5V	D.22

1930000000

1933550000	BLZ DN 5.08/05/180F AU GY BX PRT	C.25
1938600000	SAI-AU M8 SB 8DI	D.13
1938600000	SAI-AU M8 SB 8DI	D.24
1938610000	SAI-AU M12 SB 8DI	D.13
1938610000	SAI-AU M12 SB 8DI	D.24
1938630000	SAI-AU M8 SB 8DIO	D.13
1938630000	SAI-AU M8 SB 8DIO	D.24
1938640000	SAI-AU M12 SB 8DIO	D.13
1938640000	SAI-AU M12 SB 8DIO	D.24
1938660000	SAI-AU M8 SB 8DO 2A	D.13
1938660000	SAI-AU M8 SB 8DO 2A	D.24
1938680000	SAI-AU M12 SB 8DO 2A	D.13
1938680000	SAI-AU M12 SB 8DO 2A	D.24
1938690000	SAI-AU M12 SB 4AI	D.14
1938690000	SAI-AU M12 SB 4AI	D.24
1938700000	SAI-AU M12 SB 4A0	D.14
1938700000	SAI-AU M12 SB 4A0	D.24
1938710000	SAI-AU M12 SB 4PT100	D.17
1938710000	SAI-AU M12 SB 4PT100	D.24
1938720000	SAI-AU M12 SB 4THERMO	D.16
1938720000	SAI-AU M12 SB 4THERMO	D.24
1938730000	SAI-AU M12 SB 2COUNTER	D.15
1938730000	SAI-AU M12 SB 2COUNTER	D.24
1939180000	SAI-AU M12 SB 2X	D.20
1939180000	SAI-SCREWTY BOX	D.21
1939180000	SAI-SCREWTY BOX	D.22

1950000000

1954050000	MF 5/10 MC NE WS	D.4
------------	------------------	-----

Order No.	Type	Page
1968560150	SAIL-M12BW-3-1.5T	D.20
1968570150	SAIL-M12BW-4-1.5T	D.20
1968580150	SAIL-M12BG-4-1.5T	D.20
1968590150	SAIL-M12BG-3-1.5T	D.20

1980000000

1984770000	UR20-PK-1315430000-SP	C.135
1984770000	UR20-PK-1315430000-SP	C.62

1990000000

1990070000	UR20-2AI-SG-24-DIAG	C.135
1990070000	UR20-2AI-SG-24-DIAG	C.136
1990070000	UR20-2AI-SG-24-DIAG	C.97
1993880000	UR20-4AI-UI-DIF-16-DIAG	C.135
1993880000	UR20-4AI-UI-DIF-16-DIAG	C.136
1993880000	UR20-4AI-UI-DIF-16-DIAG	C.86

2000000000

2000520000	UR20-PK-1315440000-SP	C.135
2000520000	UR20-PK-1315440000-SP	C.63
2000540000	UR20-PK-1315450000-SP	C.135
2000540000	UR20-PK-1315450000-SP	C.64
2001670000	UR20-4AI-RS-16-DIAG	C.135
2001670000	UR20-4AI-RS-16-DIAG	C.136
2001670000	UR20-4AI-RS-16-DIAG	C.93
2003530000	UR20-PK-1334890000-SP	C.135
2003530000	UR20-PK-1334890000-SP	C.27
2003540000	UR20-PK-1334900000-SP	C.135
2003540000	UR20-PK-1334900000-SP	C.25
2007420000	UR20-3EM-230V-AC	C.135
2007420000	UR20-3EM-230V-AC	C.136
2007420000	UR20-3EM-230V-AC	C.99
2007430000	UR20-1COM-SAI-PRO	C.118
2007430000	UR20-1COM-SAI-PRO	C.135
2007430000	UR20-1COM-SAI-PRO	C.136
2009360000	UR20-4DI-P-3W	C.135
2009360000	UR20-4DI-P-3W	C.136
2009360000	UR20-4DI-P-3W	C.38

2010000000

2011240000	UR20-PK-2009360000-SP	C.135
2011240000	UR20-PK-2009360000-SP	C.38
2011260000	UR20-EM-2009360000-SP	C.135
2011260000	UR20-EM-2009360000-SP	C.38

2060000000

2068610000	UR20-PK-2001670000-SP	C.135
2068610000	UR20-PK-2001670000-SP	C.93
2068620000	UR20-PK-1990070000-SP	C.135
2068620000	UR20-PK-1990070000-SP	C.97
2068630000	UR20-PK-2007420000-SP	C.135
2068630000	UR20-PK-2007420000-SP	C.99
2068640000	UR20-EM-2001670000-SP	C.135
2068640000	UR20-EM-2001670000-SP	C.93

2330000000

2330260000	SAI-SK-M12-UNI 2029	D.13
2330260000	SAI-SK-M12-UNI 2029	D.14
2330260000	SAI-SK-M12-UNI 2029	D.15
2330260000	SAI-SK-M12-UNI 2029	D.16
2330260000	SAI-SK-M12-UNI 2029	D.17

2420000000

2425150000	UR20-PK-1315750000-SP	C.116
2425150000	UR20-PK-1315750000-SP	C.135
2425160000	UR20-PK-2007430000-SP	C.118
2425160000	UR20-PK-2007430000-SP	C.135
2425170000	UR20-PK-1334940000-SP	C.135
2425170000	UR20-PK-1334940000-SP	C.29
2425350000	UR20-EM-2007430000-SP	C.118
2425350000	UR20-EM-2007430000-SP	C.135
2426250000	UR67-PN-HP-8IOL-12-30M	D.24
2426250000	UR67-PN-HP-8IOL-12-30M	D.4
2426260000	UR67-PN-HP-8IOL-12-60M	D.24
2426260000	UR67-PN-HP-8IOL-12-60M	D.4
2426270000	UR67-MP-HP-16DI-12-60M	D.24
2426270000	UR67-MP-HP-16DI-12-60M	D.5
2426280000	UR67-MP-HP-16DO-12-60M	D.24
24262800		

Table with columns: Order No., Type, Page. Contains 14 rows of order data.

2550000000

Table with columns: Order No., Type, Page. Contains 14 rows of order data.

2560000000

Table with columns: Order No., Type, Page. Contains 42 rows of order data.

2570000000

Table with columns: Order No., Type, Page. Contains 3 rows of order data.

2580000000

Table with columns: Order No., Type, Page. Contains 4 rows of order data.

2590000000

Table with columns: Order No., Type, Page. Contains 23 rows of order data.

2600000000

Table with columns: Order No., Type, Page. Contains 1 row of order data.

2610000000

Table with columns: Order No., Type, Page. Contains 1 row of order data.

Table with columns: Order No., Type, Page. Contains 5 rows of order data.

2620000000

Table with columns: Order No., Type, Page. Contains 10 rows of order data.

2630000000

Table with columns: Order No., Type, Page. Contains 2 rows of order data.

2650000000

Table with columns: Order No., Type, Page. Contains 14 rows of order data.

2660000000

Table with columns: Order No., Type, Page. Contains 17 rows of order data.

2670000000

Table with columns: Order No., Type, Page. Contains 42 rows of order data.

2680000000

Table with columns: Order No., Type, Page. Contains 14 rows of order data.

Table with columns: Order No., Type, Page. Contains 3 rows of order data.

2700000000

Table with columns: Order No., Type, Page. Contains 26 rows of order data.

2720000000

Table with columns: Order No., Type, Page. Contains 4 rows of order data.

2750000000

Table with columns: Order No., Type, Page. Contains 1 row of order data.

2760000000

Table with columns: Order No., Type, Page. Contains 1 row of order data.

2770000000

Table with columns: Order No., Type, Page. Contains 9 rows of order data.

2780000000

Table with columns: Order No., Type, Page. Contains 10 rows of order data.

2790000000

Table with columns: Order No., Type, Page. Contains 6 rows of order data.

2810000000

Table with columns: Order No., Type, Page. Contains 3 rows of order data.

2820000000

Table with columns: Order No., Type, Page. Contains 14 rows of order data.

2830000000

Table with columns: Order No., Type, Page. Contains 2 rows of order data.

2850000000

Table with columns: Order No., Type, Page. Contains 14 rows of order data.

Table with columns: Order No., Type, Page. Contains 14 rows of order data.

2860000000

Table with columns: Order No., Type, Page. Contains 21 rows of order data.

2870000000

Table with columns: Order No., Type, Page. Contains 11 rows of order data.

2875000000

Table with columns: Order No., Type, Page. Contains 11 rows of order data.

2880000000

Table with columns: Order No., Type, Page. Contains 6 rows of order data.

9000000000

Table with columns: Order No., Type, Page. Contains 3 rows of order data.

9030000000

Table with columns: Order No., Type, Page. Contains 4 rows of order data.

9200000000

Table with columns: Order No., Type, Page. Contains 14 rows of order data.

9445000000

Table with columns: Order No., Type, Page. Contains 4 rows of order data.

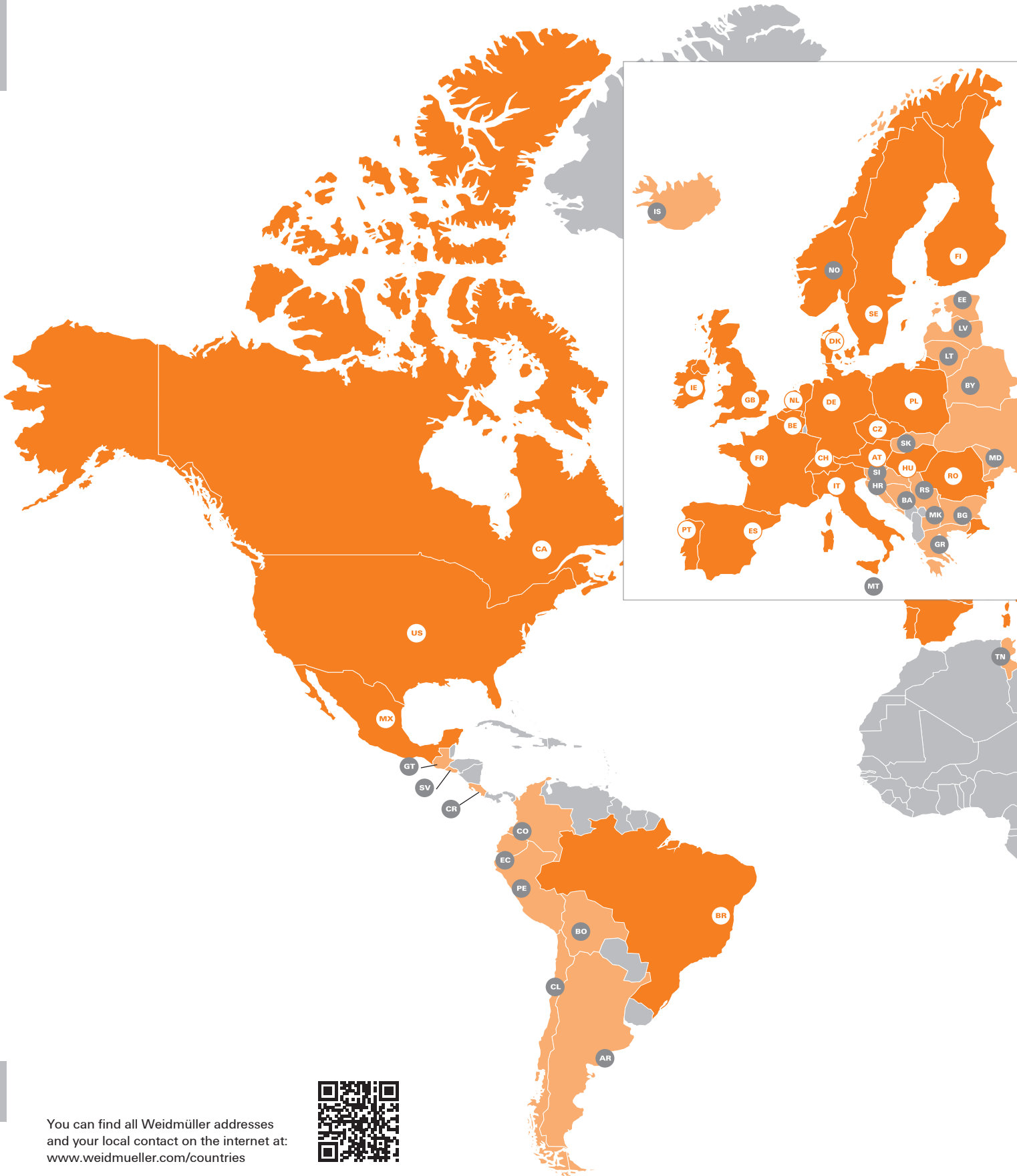
9450000000

Table with columns: Order No., Type, Page. Contains 14 rows of order data.



Order No.	Type	Page
9457610150	SAIL-M12G-5-1.5U	D.8
9457670150	SAIL-M12W-5-1.5U	D.4
9457670150	SAIL-M12W-5-1.5U	D.5
9457670150	SAIL-M12W-5-1.5U	D.6
9457670150	SAIL-M12W-5-1.5U	D.7
9457670150	SAIL-M12W-5-1.5U	D.8
9457730150	SAIL-M12BG-4-1.5U	D.20
9457740150	SAIL-M12BW-4-1.5U	D.20
9457800150	SAIL-M12BW-3L1.5U	D.22
9457820150	SAIL-M12BG-3-1.5U	D.20
9457850150	SAIL-M8BG-4-1.5U	D.21

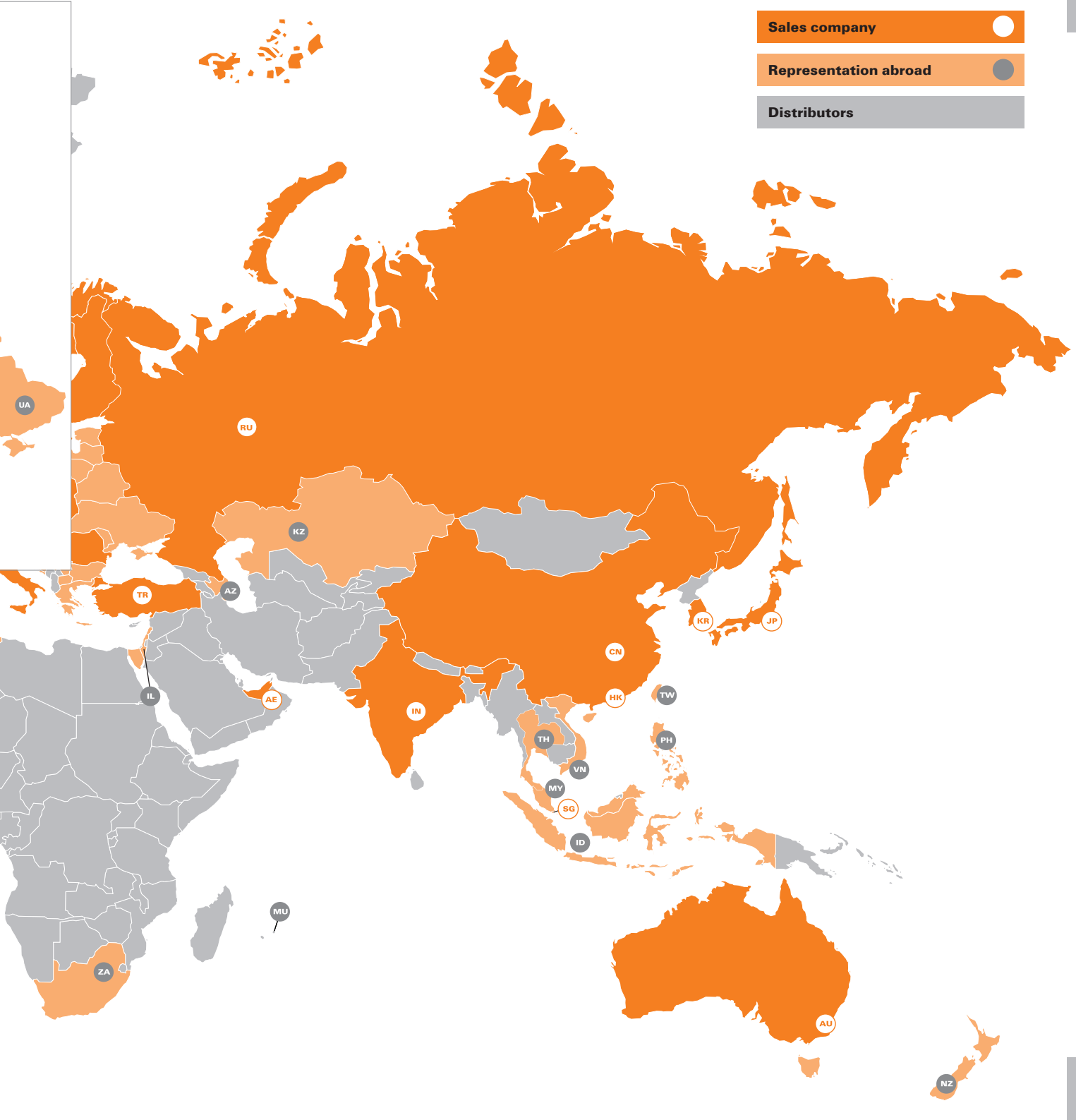
Addresses worldwide



X

You can find all Weidmüller addresses and your local contact on the internet at: www.weidmueller.com/countries





We cannot guarantee that there are no mistakes in the publications or software provided by us to the customer for the purpose of making orders. We try our best to quickly correct errors in our printed media.

X

All orders are based on our general terms of delivery, which can be reviewed on the websites of our group companies where you place your order. On demand we can also send the general terms of delivery to you.

Weidmüller – Your partner in Industrial Connectivity

As experienced experts we support our customers and partners around the world with products, solutions and services in the industrial environment of power, signal and data. We are at home in their industries and markets and know the technological challenges of tomorrow. We are therefore continuously developing innovative, sustainable and useful solutions for their individual needs. Together we set standards in Industrial Connectivity.

Weidmüller Interface GmbH & Co. KG
Klingenbergstraße 26
32758 Detmold, Germany
T +49 5231 14-0
F +49 5231 14-292083
www.weidmueller.com

Personal support can
be found on our website:
www.weidmueller.com/contact

Made in Germany



Order Number: 2856360000/05/2022/SMD